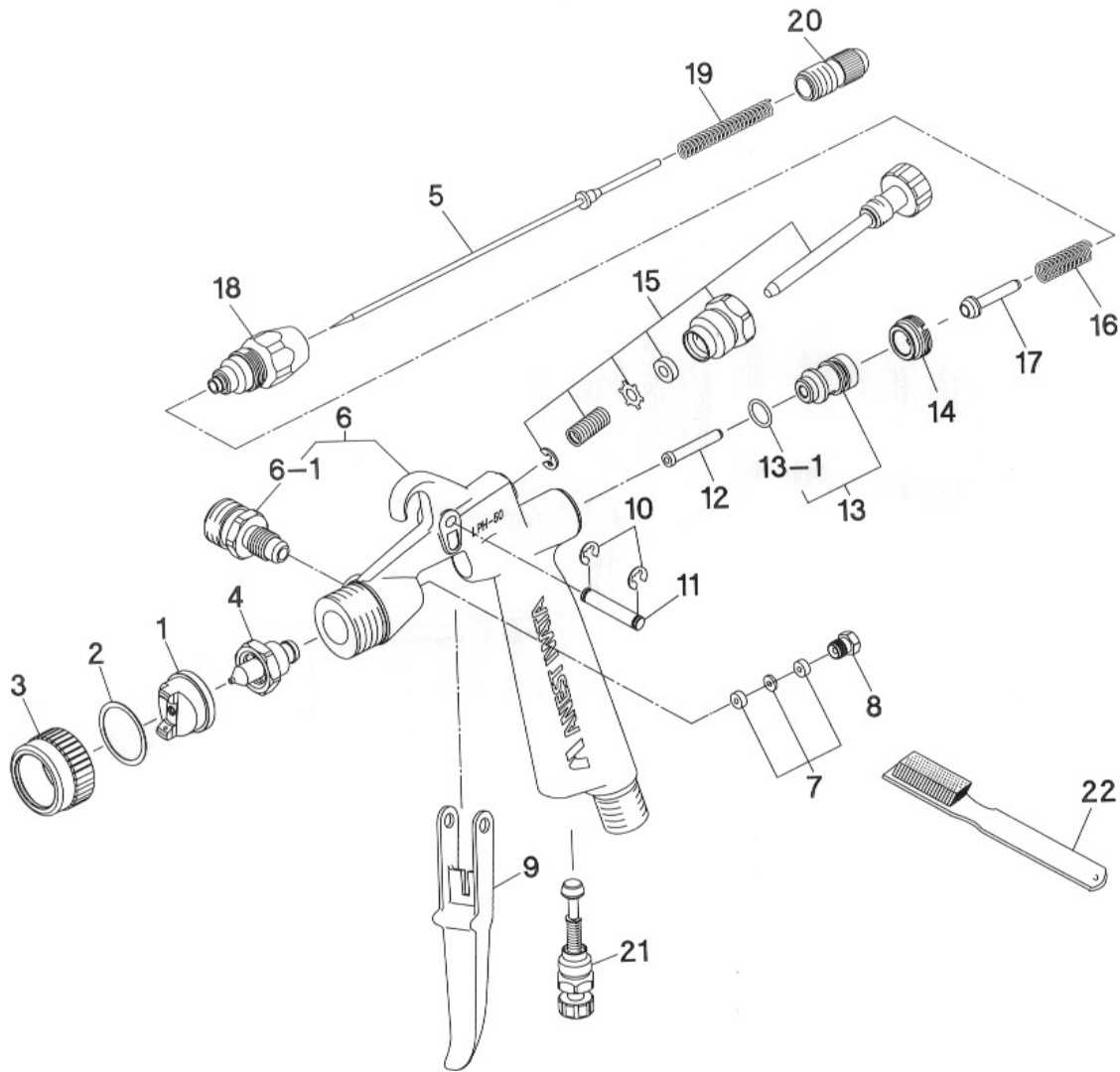




# ANEST IWATA LPH-50 SPRAY GUN



#	ITEM DESCRIPTION	PRICE CODE	ITEM #	LPH-50	RG-3	G6
1	Air Cap	J	1301.1	■	x	x
2	Packing	A	1303.1	■	x	x
3	Cover Ring	D	1305.1	■	x	x
5	Fluid Needle 0.4 mm	F	1214.4	opt	opt	x
		F	1214.5	■	■	x
		F	1214.6	opt	opt	x
4	Fluid Nozzle 0.4 mm	J	1316.1	opt	x	x
		 J	1316.2	■	x	x
		J	1316.3	opt	x	x
6	Gun Body Set	O	1307.1	■	x	■
6-1	Fluid Cup Joint	D	1212.2	■	■	■
7	Fluid Needle Packing	D	1215.2	■	■	■
8	Needle Packing Seat	A	1219.2	■	■	■
9	Trigger	C	1233.1	■	■	■
10	E Stopper 2pcs/pk	A	1332.1	■	x	■
11	Trigger Stud	A	1234.1	■	■	■
12	Air Valve Shaft	C	1202.3	■	■	■
13	Air Valve Seat Set	F	1205.2	■	■	■

#	ITEM DESCRIPTION	PRICE CODE	ITEM #	LPH-50	RG-3	G6
13-1	Gasket Air Valve Seat	A	1217.1	■	■	■
14	Air Valve Seat Screw	A	1205.3	■	■	■
15	Pattern Adjusting Set	G	1335.1	■	x	x
16	Air Valve Spring	A	1206.2	■	■	■
17	Air Valve	C	1202.2	■	■	■
18	Fluid Adjust Guide Set	F	1208.2	■	■	■
19	Needle Spring	B	1225.2	■	■	■
20	Fluid Adjusting Knob	C	1209.1	■	x	x
21	Air Adjusting Set	E	1310.1	■	x	x
22	Cleaning Brush	A	1336.1	■	■	x
23	Spanner	C	1230.1	■	x	■
	Fluid Cup 4 oz (PC-61)	I	1210.1	■	■	opt
	Fluid Cup 7 oz (PC-51)	I	1210.2	opt	opt	opt
	Fluid Cup 8 oz (PC-5)	I	1210.3	opt	opt	opt
	Fluid Cup Lid (PC-61)	D	1211.1	■	■	opt
	Fluid Cup Lid (PC-51)	D	1211.2	opt	opt	opt
	Fluid Cup Lid (PC-5)	D	1211.3	opt	opt	opt

 **CALIFORNIA PROP 65 WARNING:** Certain products identified with this symbol and offered for sale in this catalog contain lead, a chemical known to the State of California to cause cancer, birth defects and other reproductive harm.

■ = yes x = no opt = optional