

SPECIFICATION

NEXLEDS®

NEXLEDS LTD



VIDEO



Full-Cutoff LED Wall Pack

28W / 40W / 45W / 60W / 70W / 80W

Specification

Product Name :	Full-Cutoff LED Wall Pack		
Model NO. :	NX-FCWPH-28W-DV	NX-FCWPH-40W-DV	NX-FCWPH-45W-DV
	NX-FCWPH-60W-DV	NX-FCWPH-70W-DV	NX-FCWPH-80W-DV
Specification :	AC120-347V; 28W / 40W / 45W / 60W / 70W / 80W		
Working Temp :	-40 ~ +40(°C)		
Power Factor :	>0.90		
CRI(ra) :	>80		
Color :	Brown		
Light Source :	LUMILEDS 3030		
Lumen :	3640 lm		
Life Time :	50000 hrs		
Beam Angle :	90 ° x100 °		
Product Size :	12.61x6.86x5.1inch		
IP :	IP65		
Application :	Home, Shop, Hotel, Parking Lot		
Warranty :	5 years		
Standard :	cUL, DLC		
Color Temp :	3000K / 4000K / 5000K		

Feature:

1. A variety of drivers are available.

Using an isolated, 1-10V dimmable.

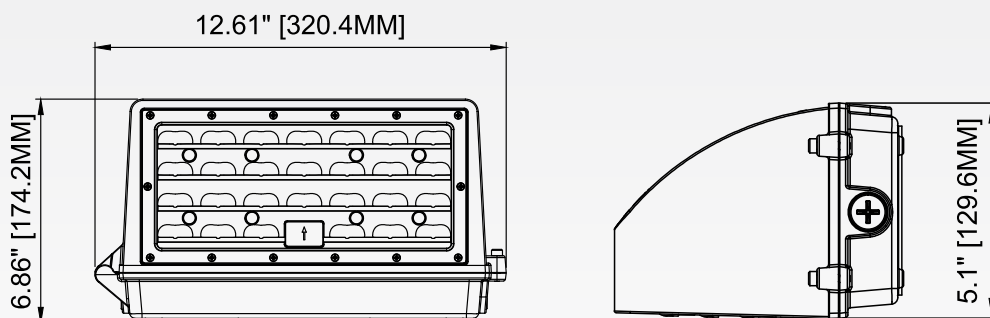
2. Protection level: Wet Location.

The wall pack is sealed by silicone ring that can avoid dust completely and be waterproof, also the internal level ensures that the installation is horizontal.

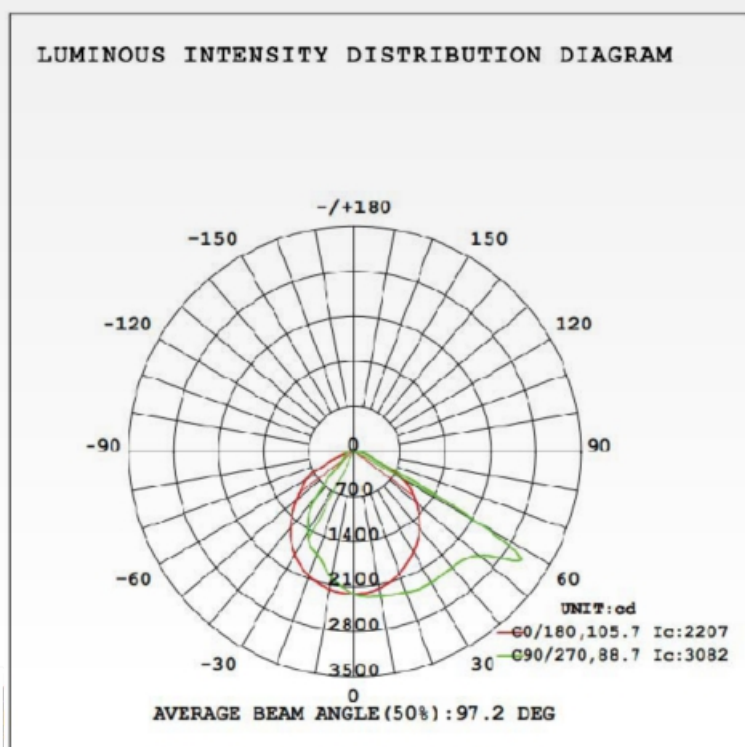


silicone ring

Product Dimension



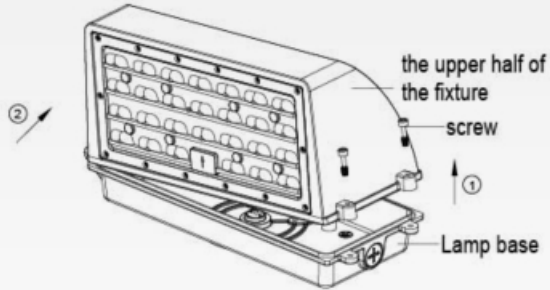
Optical Properties:



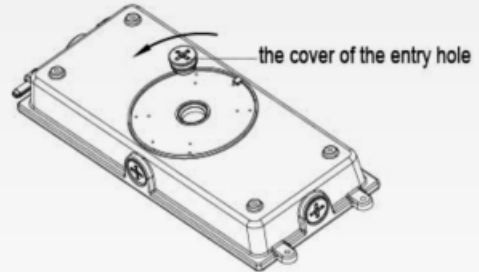
Installation Instruction:

Installation method I :

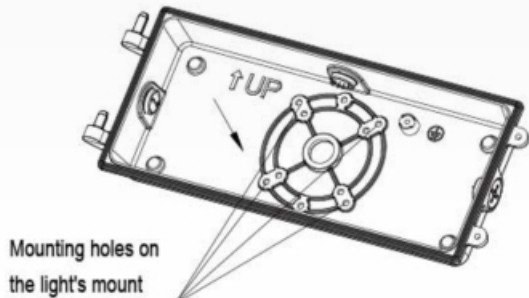
1. Use a screwdriver to unscrew the lamp screws and remove the upper half of the fixture.



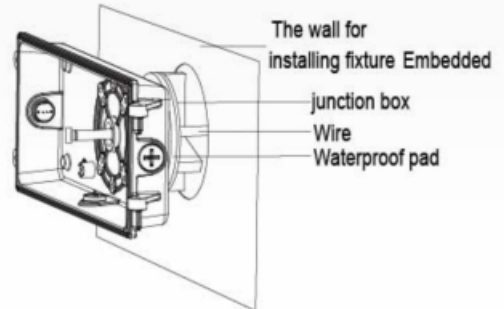
2. Unscrew the cover of the entry hole on the lamp base and remove the cover.



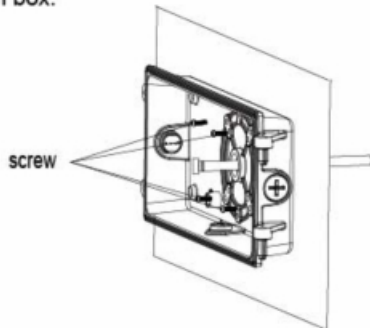
3. According to the embedded terminal box, punch the corresponding mounting hole on the light's mount.



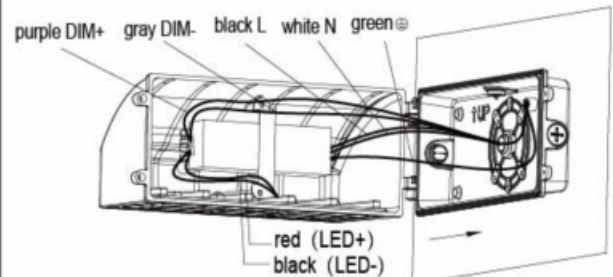
4. Put the input line in the embedded box passes through the waterproof pad and then passes through the lamp base.



5. Use screw to lock the lamp base on the embedded junction box.



6. Connect the input wire and the dimming wire of the light, then put the connected wires into the embedded terminal box.



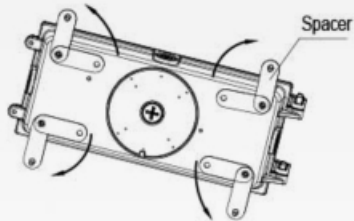
7. Use screws to lock the fixture. Installation completed.



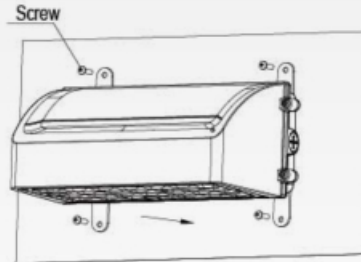
Installation Instruction:

Installation method II :

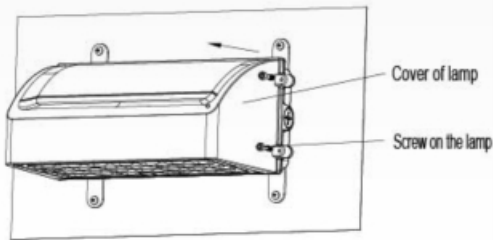
1. Rotating four spacers into following places as indicated by the arrow.



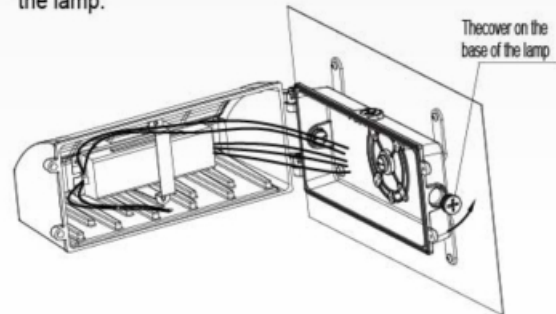
2. Screw the lamp on the wall.



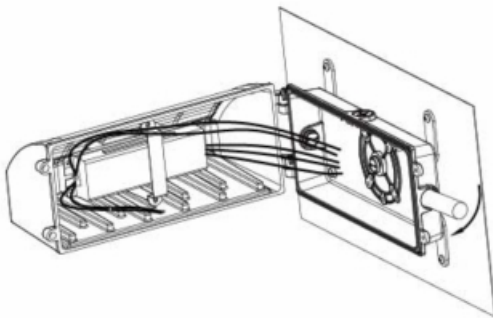
3. Unscrew the cover of lamp, then open the cover as indicated by the arrow.



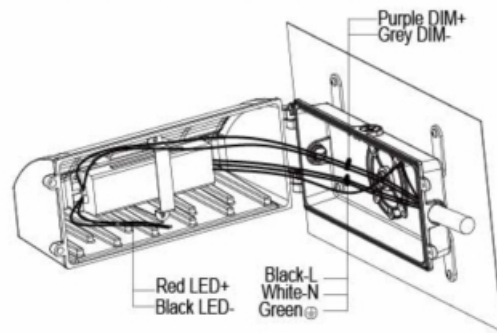
4. Unscrew and take off the cover on the base of the lamp.



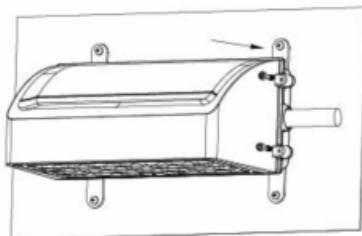
5. Tightening the spool into the Input hole.



6. Connect the Input wire and Dimming wire.



7. Screw the lamp, installation completed.



Product Application



Packing / Weight

Model	Outer Box (L*W*H)	QTY/CTN (pcs)	N.W/CTN (lbs)	G.W/CTN (lbs)	Remarks
NX-FCWPH-28W-DV	15.55"*14.6"*19.5"	4	17.28	23.28	0.15M cable
NX-FCWPH-40W-DV			17.80	23.88	
NX-FCWPH-45W-DV			17.80	23.88	
NX-FCWPH-60W-DV			18.52	24.52	
NX-FCWPH-70W-DV			20.12	26.12	
NX-FCWPH-80W-DV			20.12	26.12	

Safety Information

1. Using the standard working voltage: AC120~347V, 50/60Hz, do not exceed.
2. Be sure the power supply is turned off before installation.
3. Switch off power of the mains supply or the connection lead respectively before doing any works.
4. Please note waterproof, dustproof, electricity prevention and shockproof for the external power wires.
5. Directly fix bolts on the installation stem through the hole on the mounting bracket.
6. Be sure the connection between the wires is in good condition when install the lamps, beware of leakage.
7. Please read the specification carefully before installation.
8. The complete installation must be handled by an electrical expert.