

# SPECIFICATION

**NEXLEDS**<sup>®</sup>  
NEXLEDS LTD



**3 CCT**  
Changeable



**200W-150W-100W**  
Changeable



0.9



IP42



50000 Hrs  
Life Time



140 LM/W

VIDEO



## 3 CCT LED UFO Highbay

150W / 220W-150W-100W

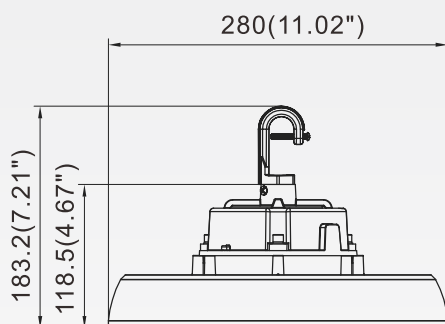
### Specification

Product Name :	<b>3 CCT LED UFO Highbay</b>
Model NO. :	NX-UHBS7-150W-H-MV-TC(XX)-Y NX-UHBS7-200W-H-MV-TCP(XX)(200/150/100)-Y
Specification :	AC120-347V ; 50/60Hz; 1375mA; <b>150W</b> AC120-347V ; 50/60Hz; 1833mA; <b>200W-150W-100W</b>
Working Temp :	-40°C~45°C
Power Factor :	0.9
CRI(ra) :	>80
Color :	Black Color
Light Source :	Luminus SMD2835
Lumen :	140 LM/W
Life Time :	50000 hrs
Beam Angle :	80°
Product Size :	11.02x4.67 inch / 13.31x5.02 inch
IP :	IP65
Application :	Warehouse, Factory, work shop and so on
Warranty :	5 years
Standard :	UL
Color Temp :	3500K- 4000K-5000K Changeable

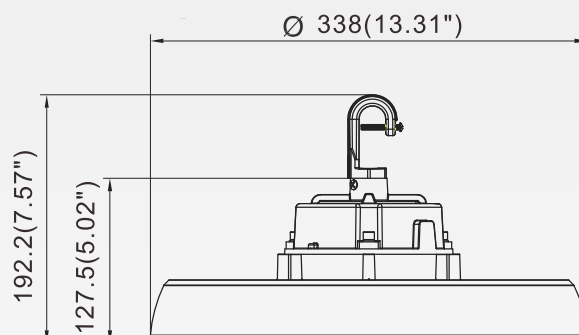
**Feature:**

1. High luminous efficiency and low UGR;
2. Simple and stylish appearance;
3. Excellent heating dissipation;
4. -40°C~45°C Working Temperature
5. 3CCT and Power selectable

**Dimension:**



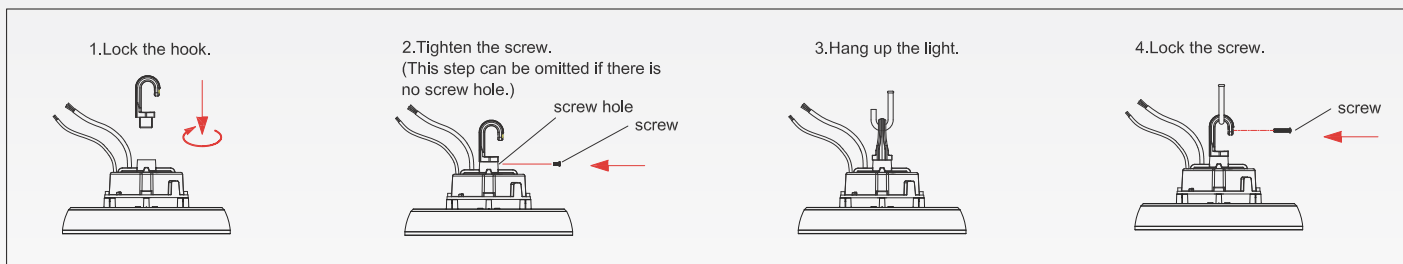
**150W**



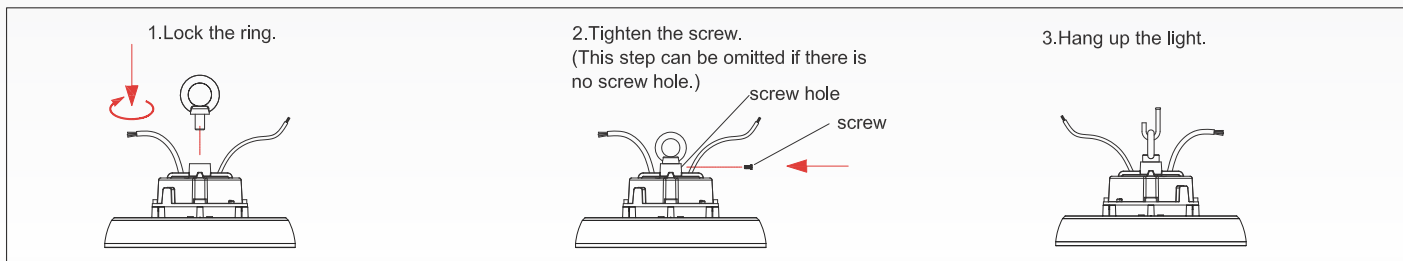
**200W-150W-100W**

**Instruction:**

**1. Hook type:**



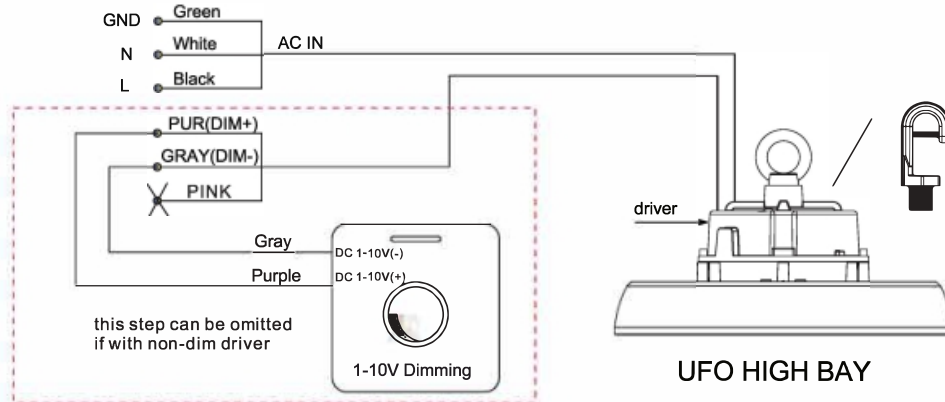
**2. Rings type:**



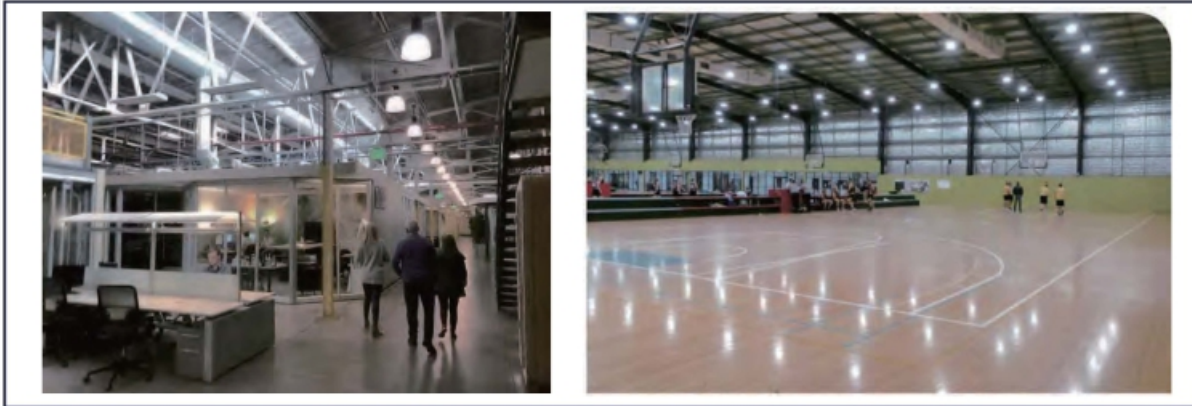
## Wiring Connection:

Turn off the power, connect AC wire. black wire to L, white wire to N, and green wire to E.  
Dimmer connection (with dimmable driver.)

1. Compatible with 1-10V dimming.
2. Connect wires as below, purple wire is D+, gray wire is D-, cap pink wire.



## Applications:



## Wiring Connection:

1. Please let professionals install the lamp;
2. Please cut off the power supply if any abnormal situation;
3. Please clean the glass of high bay light regularly, to keep great lighting transmission;
4. Please clean the high bay light shell termly, to keep good heat dissipation;
5. Please use the dry cloth to clean it only, not by water or caustic solution;
6. Lamp earthing is necessary;
7. High voltage inside, please don't remove it in case of electric shock;
8. Glass accessory included, please take care of it when using and storage, avoid high pressure on it;

