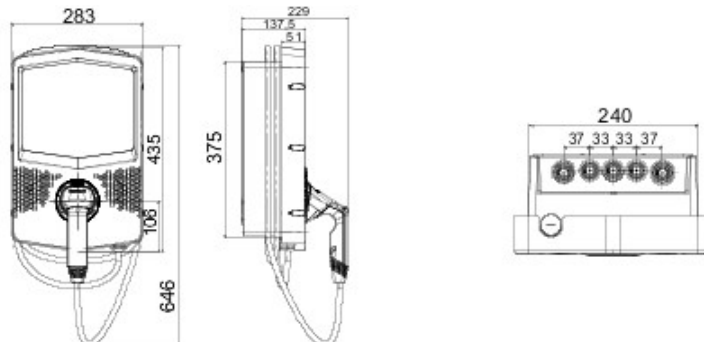




I-CON wallbox is the JOINON solution for private and semi-public contexts, in compliance with the international standard IEC 61851-1 ed. 3. They are characterized by an elegant and compact design, for the special "one-hand recharge" functionality, and for the presence of the vandal-proof socket as an alternative to the connector with cable and holder integrated in the station, the IP55 degree combined with an IK10 certified resistance, intelligent load management, Backlight lighting, and various installation possibilities: wall, flush-mounting or floor.

INPUT		- Socket/Connector Nr. (Type)	1 (Type 2 connector with 5 mt. cable)
Terminal blocks	3 x 10 mm ²	Charging activation	Free access
Rated current	32 A	Human Interface	RGB Led
Total power	7.4 Kilowatt	Connectivity	No
OUTPUT		- MECHANICAL FACTS	-
Rated voltage	230 V	Mouting and installation	Wall mounting (floor mounting with support)
Current supplied (max)	32 A	Colour	Dark grey
Maximum current	7.4 Kilowatt	Material	Thermoplastic (Post-industrial origin)
Thermal-magnetic protection	Currently not present	External treatments	No
Type of residual current protection	Currently not present	IP degree	IP55
Power meter	Currently not present	Mechanical resistance	IK10
DC Leakage check	Yes	Operating temperature	-25 +50 °C
(Auto)restart electrical protections	Currently not present	Customizations	Yes (front)

DIMENSIONAL



TECHNICAL SYMBOLOGY

IP

IP55

IK

IK10

STANDARDS/APPROVALS

