

SPECIFICATIONS

Size: 3.25" x 1.625" x 1.25"

Weight: 3.8 oz

Bat Type: Lithium Polymer

Rated Capacity: 9vDC, 500mA

Current Measurement

Accuracy: +/- 5% @ 500mA

Battery Life: 10 Hrs @ 200mA
20 Hrs @ 100mA

Charge time: 2 hrs Fast
10 hrs USB

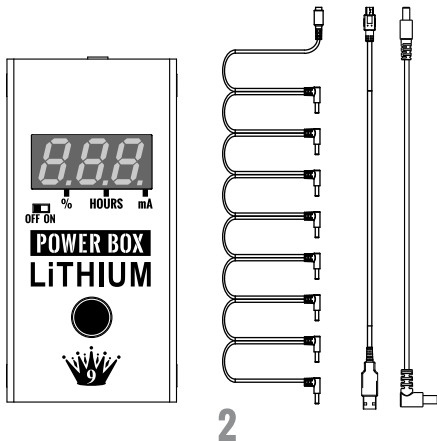
Output: 2.1 x 5.5mm barrel, tip-neg

Input: Fast Charge: 3.5mm tip-pos
USB mini Type AB

WHAT IS INCLUDED

Your Big Joe Power Box Lithium contains the following:

- 1 - Big Joe Power Box Lithium
- 1 - USB Power cord
- 1 - Pedal Connector Cable, 5.5mm X 2.1mm, male/male
- 1 - 8 Connector Daisy Chain Cable



INTRODUCTION

The Power Box Lithium is a portable, small footprint rechargeable; Lithium Battery based power supply capable of powering multiple pedals, pedal boards and high current draw guitar effects. Innovative, Smart Battery technology provides visual indication of current draw, battery charge status and battery time remaining. These features let you know exact battery time remaining under current pedal load. Never again will you have to worry if your 9v battery will die in the middle of a gig or session. It is also the perfect solution for annoying noise, hum and interference problems that can occur when using AC line fed power sources.

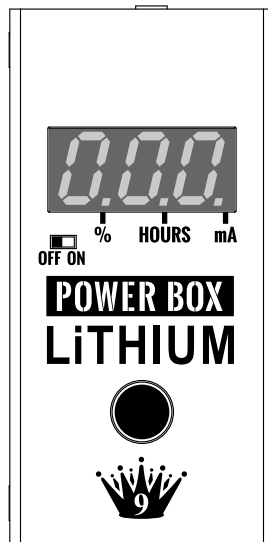
WARRANTY

All Big Joe products are proudly designed and engineered in the USA. We assemble, hand test and inspect every product that we ship. If there is ever a problem that is our fault, we will fix it free of charge. If the problem is from normal wear and tear then we will fix it for free but charge you for the replacement parts. If the problem is something you did then we will fix it and charge you whatever it costs to do so. The only thing we ask is that you don't attempt to fix anything yourself. There are no user serviceable parts inside the case. It's that simple.

Just register your Big Joe product online @ www.bigjoestompboxcompany.com/register



WWW.BIGJOESTOMPBOXCOMPANY.COM



USER'S MANUAL

B: CHARGE IN (USB)

To charge using a standard USB connection, simply use the USB cable included and plug the unit into any USB wall connector, USB car port adapter or computer output. Charge time will vary depending on the connector/source being used but will generally require an overnight charge.

C: FAST CHARGE IN (3.5mm TIP POS)

If you want a faster charge, you can use a Big Joe 9v 1700mA power supply and adapter cable (sold separately, PS-201) and plug it into the 9v, 3.5mm, Tip Pos jack.

WARNING: IT IS RECOMMENDED THAT YOU ONLY USE THE BIG JOE 9V 1700MA POWER SLOT POWER SUPPLY. OTHER CHARGERS MAY DAMAGE THE UNIT AND VOID ALL WARRANTIES.

When the unit is turned off, power supply is turned off and power to all pedals connected to the unit is turned off. You do not need to unplug the individual pedals. When the unit is turned off, the decimal point will turn off.

Display Selector Button

When this tactile switch is pressed, the 3-digit LED display will illuminate and allow you to scroll through the three display information modes. Each time the button is pressed LED display will change to the information mode indicated by the small decimal light in the LED display digit, (see figs 3, 4,5). After 10 seconds, if the tactile button is not pressed, the 3-digit LED display will turn off and the small decimal light above % will pulse indicating that unit is on and battery status is OK.

9v POWER ADAPTERS



PS-202

9v Regulated,
1700mA
power supply



PS-205

9v, 100mA
regulated linear
power supply



PS-203

8-plug Daisy
Chain Cable



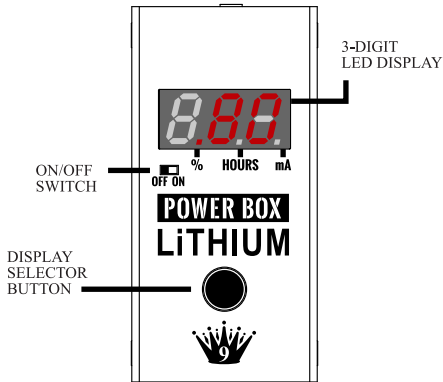
PS-204

Adapter Cables

TABLE OF CONTENTS

INTRODUCTION.....	1
WHAT IS INCLUDED.....	2
BASIC OPERATION.....	3-4
DISCHARGE.....	5-6
CHARGE.....	7-8
OTHER CONDITIONS.....	9
LED DISPLAY.....	10-13
POWER OUT/CHARGE IN.....	14-15
TYPICAL CONNECTIONS.....	16
SPECIFICATIONS.....	17
WARRANTY.....	18
OTHER PRODUCTS.....	19-20

BASIC OPERATION

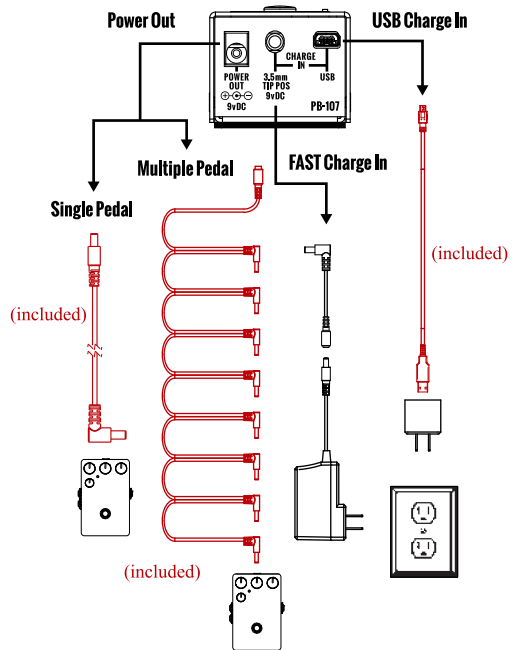


On/Off Switch

Switch turns the unit on and off. When unit is initially turned on the 3-digit LED display will illuminate and scroll through a boot sequence, (see fig 1). When the boot sequence is complete, Display will turn off and small decimal light above % will pulse indicating that unit is on and battery status is OK. This is normal operating mode for the unit, (see fig 2). *NOTE: Do not press Display Selector Button until boot sequence is complete.*

3

TYPICAL CONNECTIONS



16

BASIC OPERATION *(CON'T)*

3-Digit LED Display

The unit has two display modes:

- Discharge Mode
- Charge Mode



Discharge Mode:

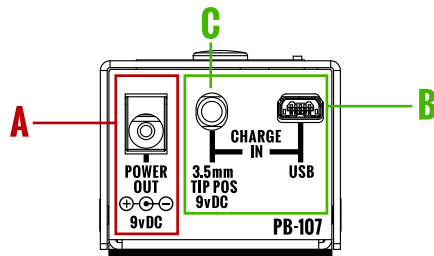
Normal operating mode for unit is indicated by pulsing decimal light above the % in first LED segment, (see fig 2). This pulsing decimal indicates that unit is on, battery is charged and unit is operating normally.

Pressing tactile button interrupts normal operating mode, illuminates the 3-digit LED Display and allows you to access information on three (3) battery status parameters:

- Battery Charge (%)
- Battery Life remaining (Hours)
- Current Draw (mA)

5

POWER OUT/CHARGE IN



A: POWER OUT

The Power Box Lithium is capable of powering multiple pedals, including high current draw effects. To power a single pedal use the connector cable included. To power multiple pedals, use Daisy Chain Cable included.

WARNING: THIS IS AN OUTPUT ONLY JACK. DO NOT PLUG 9v CHARGER IN THIS JACK.

14

OTHER CONDITIONS

Low Battery:

When the unit has less than one (1) hour of battery life remaining the % decimal light will stop pulsing and will remain on. When there is only ½ hour of battery life remaining, the 3-digit LED display will illuminate and read LO bAt, (see fig. 8).

Overload:

If the current load exceeds 500mA, the 3-digit LED display will read Err 500 until the situation is corrected (see fig.9). The situation can be corrected by disconnecting pedal or pedals until message no longer appears.

LED DISPLAY

DISCHARGE MODE

FIG.1



When unit is first turned on it will scroll through a boot sequence. 3-Digit LED display will scroll through three screens: b1G, JOE and r2.1

FIG.2



A pulsing % decimal indicates that the unit is on and functioning normally. A solid % decimal indicates that there is less than 1 hour of battery time remaining based on current draw.

BASIC OPERATION (CON'T)

Charge Mode:

Turn unit on with on/off switch and use either the USB port or the fast charge 9vDC port options to charge unit, (see fig.6)

To charge using a standard USB connection, simply use the USB cable included and plug the unit into any USB wall connector, USB car port adapter or computer output. Charge time will vary depending on the connector/source being used but will generally require an overnight charge.

If you want a faster charge, you can use a Big Joe 1700mA supply and adapter cable (sold separately, PS-201) and plug it into the 9v, 3.5mm, Tip Pos jack. Charge time will be approximately 2 hrs.

Warning: *It is recommended that you only use the Big Joe 9v 1700mA Power Slot power supply. Other chargers may damage the unit and void all warranties.*

LED DISPLAY (CON'T)

FIG.5



When the mA decimal is lit and the 3-digit LED display is also lit, the number displayed on the LED display indicates the total mA load of all pedals connected to the unit. For example, 88. on the Display would indicate an 88mA current draw.

CHARGE MODE

FIG.6



When unit is charging, 3-digit LED display will alternate between spinning zero's and % battery charge. For example, 0.75 would indicate 75% battery charge.



LED DISPLAY (CON'T)

FIG.3



When the % decimal is lit and the 3-digit LED display is also lit, the number displayed on the LED display indicates the battery charge percentage remaining. For example, .80 on the Display would indicate the battery is 80% charged.

FIG.4



When the **HOURS** decimal is lit and the 3-digit LED display is also lit, the number displayed on the LED display indicates the number of hours the battery will last based on the current draw. For example, 8.5 on the Display would indicate 8 ½ hours of battery life remaining.

BASIC OPERATION (CON'T)

When in Charge Mode, the 3-digit LED Display will alternate between two screens: Spinning 0's, and % battery charge, (see fig. 6). When battery is fully charged, the charging cycle ends and the 3-digit LED Display will read 1.00, indicating battery is 100% charged, (see fig 7). At this point, disconnect the charger and the unit will switch to normal operating mode as indicated by pulsing % decimal, (see fig. 2). Note, the unit has built in over charge protection circuitry, If charger is left plugged in overnight and unit reaches 100% charge, unit will automatically switch to normal operating mode.

Note, battery does not continuously charge when unit is in normal operation mode.

LED DISPLAY (CON'T)

FIG.7



When the unit is fully charged, 3-digit LED display will display 1.00 indicating battery is 100% charged.

OTHER CONDITIONS

FIG.8



When the battery has less than ½ hour of battery life remaining based on current draw, 3-digit LED display will begin flashing LO bAt

FIG.9



If the current load output exceeds 500mA the 3-digit LED display will flash Err 500 until the situation is corrected.

BASIC OPERATION (CON'T)

Battery Charge (%)

When the 3-digit led display is lit and the small decimal light above % is lit solid, the LED Display is indicating battery charge %. The % battery charge will decline over time of usage, based on the mA load from all pedals connected, (see fig.3).

Battery Life remaining (HOURS):

When the 3-digit led display is lit and the small decimal light above HOURS is lit solid, LED Display is indicating how many hours the battery will last under current load condition. This is a dynamic reading that will change over time of usage based on the mA load from all pedals connected, (see fig.4). Hours remaining will also change if pedals are disconnected or added.

Current Draw (mA):

When the 3-digit led display is lit and the small decimal light above the mA is lit solid, LED Display indicates current load, in mA, from all pedals connected, (see fig. 5)