

Please read the manual before using the product. The manual and carton contain important information, please keep them properly for later references. If failure to following the instruction in the manual, it might be dangerous for your child.

In order to improve the product and quality, we may change the parts of structure, appearance, packing method, assembly method and function of the product without any notice. When there is any difference between the manual and the product, please subject to the actual product. We are sorry for any inconvenience.



# Hollicy

The assembly manual of  
battery operated car




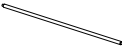

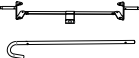


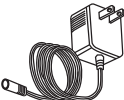

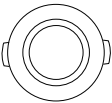
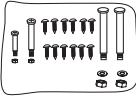

**Model:HLY8888**



## **WARNING:**

Products should be assembled by an adult. Protective equipment should be worn. Not to be used in traffic. Not suitable for children under 3 years. Choking hazard- small parts. In unassembled state, contains potentially hazardous small parts. Please keep out of the reach of small children. Pay attention to the potential hazards of using the toy in areas other than private grounds.

## PARTS LIST

PARTS NAME	PICTURE	QTY	PARTS NAME	PICTURE	QTY
Car body		1PC	Seat		1PC
Head cover		1PC	Rear axle		1PC
Front wheel (no bulge plastic part)		2PCS	Front axle		1 Set
Rear wheel (with bulge plastic part)		2PCS	Steering wheel strut		1PC
Charger		1PC	Steering wheel		1PC
Nut cover		4PCS	Hardware package		1PC
Manual		1PC			

### Disclaimer:

The pictures in this instruction are for assembly reference only.  
Please refer to the actual product.

**WARNING:**

This product is not the vehicle for transportation, it should be used under adult guidance. Parents should ensure that children have taken the safety measures before use.

The toy should be used with caution since skill is required to avoid falls or collisions causing injury to the user or third party.

**PRODUCT SPECIFICATIONS**

Battery	12V-7AH*2/12V-9AH*2
Main material	PP
Suitable age	8-12 years old children
Weight limit	70kg
Product size	110×77×54cm
Speed	6-13 KM/H
Runtime	1 hour after charging for 8-12 hours, based on ride conditions
Charger	Input AC 110-240V Output DC 24V
Fuse	Auto-reset fuse

## Assembly instruction

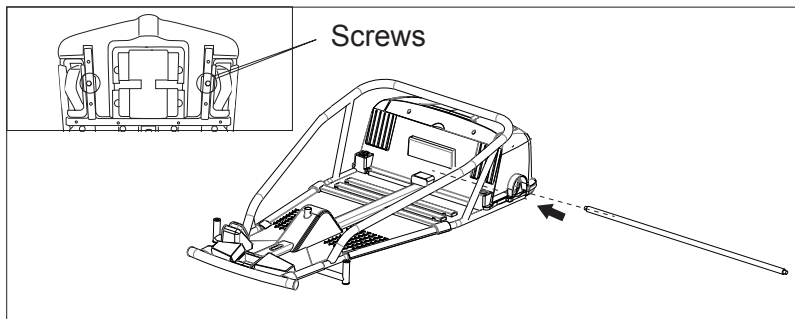
Car assembling should be done by the adults.

Take care of small parts. To avoid choking hazard, keep children away while assembling. Children under 36 months are prohibited to use.

Please count all the parts carefully before assembling and dispose the plastic bag properly. To avoid choking hazard, children are not allowed to play with the bag.

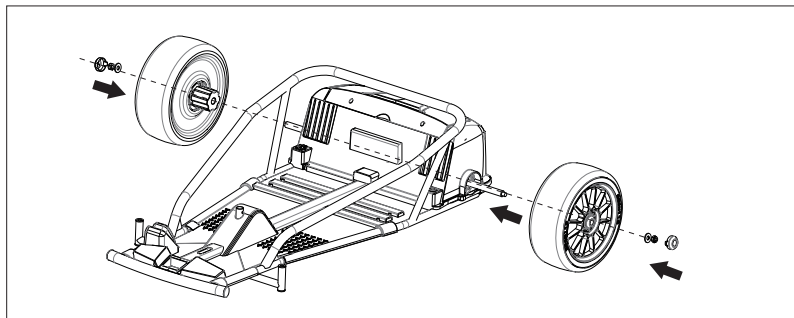
### 1. Rear axle assembly

Loosen the screws before installing the rear axle, and tighten it after installing the rear axle and rear wheels. Insert the rear axle from one side of the body. When coming out from the other side, the left and right distances are equal.



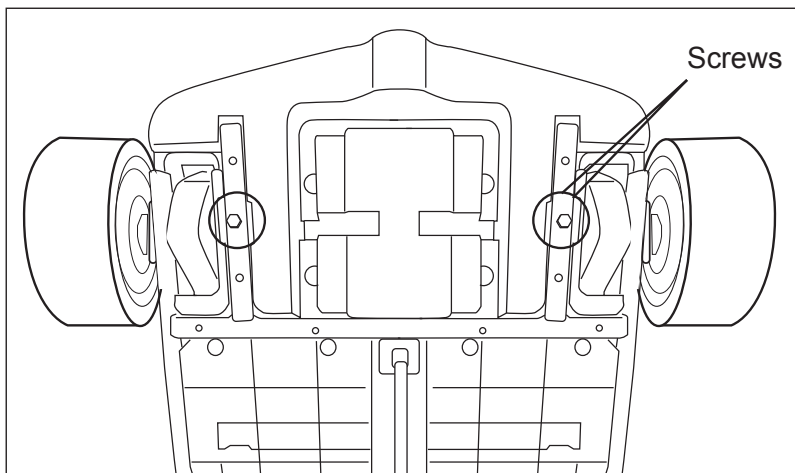
### 2. Rear wheel assembly

Insert the rear wheel to the axle, fix with the big sleeve, washer, nut and nut cover.



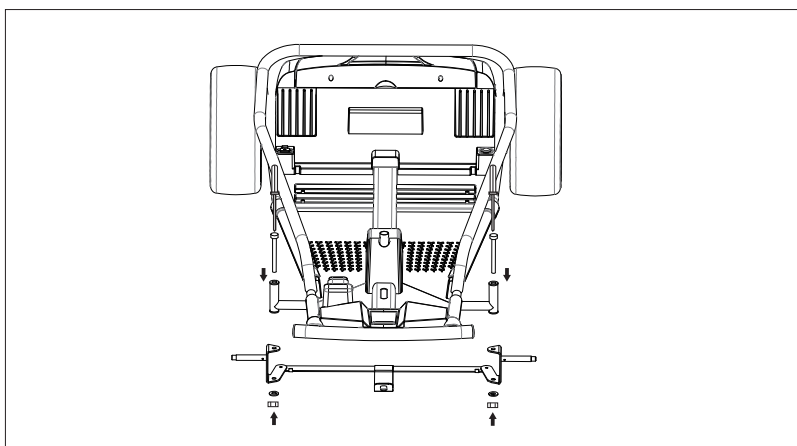


After the rear wheel is installed, turn over the body and tighten the screws that hold the rear axle.



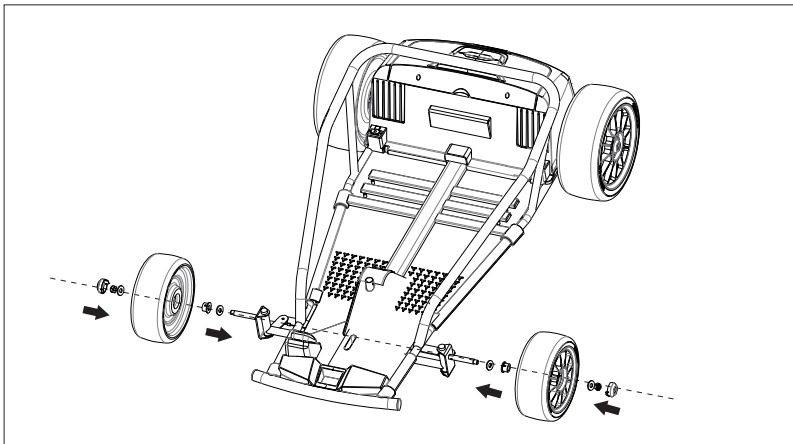
### 3. Front axle assembly

First, put the corresponding position of the front axle fixing hole on the frame, and the front axle hole corresponds to the frame hole. Use M8 \* 86 screw to penetrate from the top to the bottom, and finally fix the bottom with the M6 washer and M6 locknut.



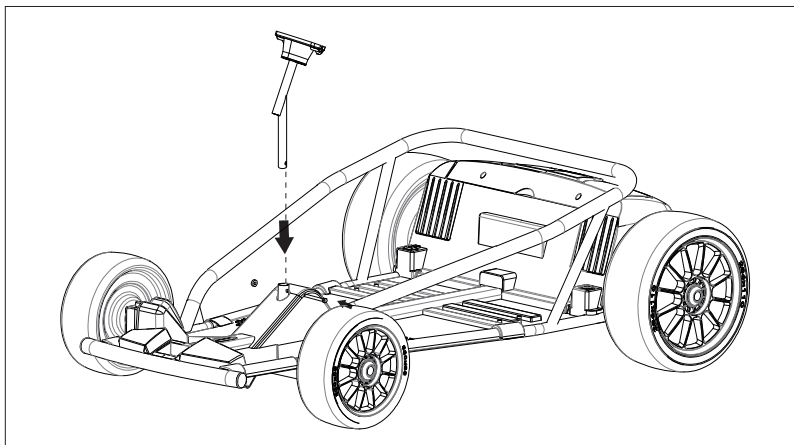
#### 4. Front wheel assembly

Insert the washer and small washer into the front axle first, attach the front wheel, then fix with the washer, nut and nut cover.

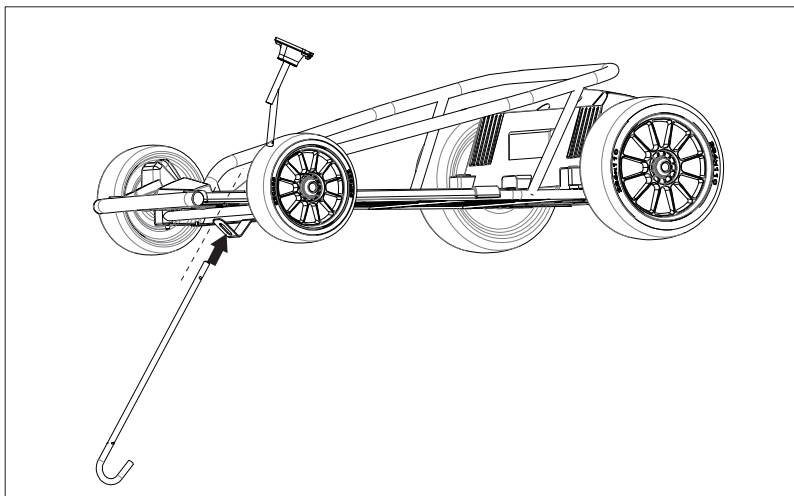


#### 5. Steering axle assembly

①. Insert the steering wheel strut into the car body, fix them with M5\*25 screw and M5 locknut.

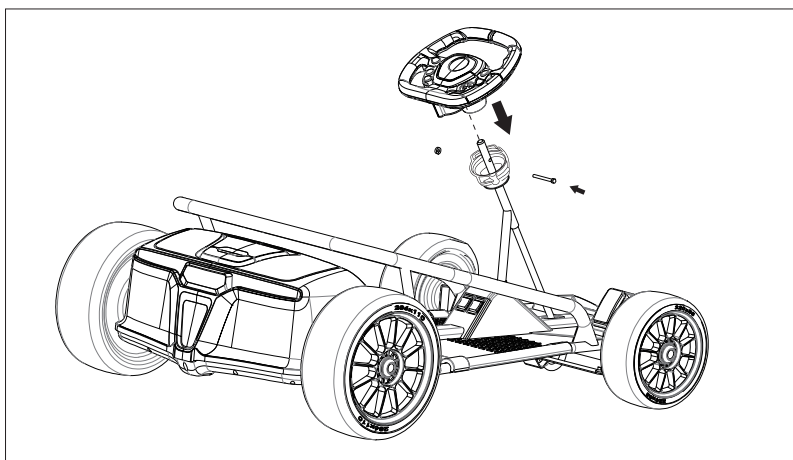


②. Insert the steering axle from the bottom to the car body and steering wheel strut, until the top of the steering axle extends out the steering wheel strut.



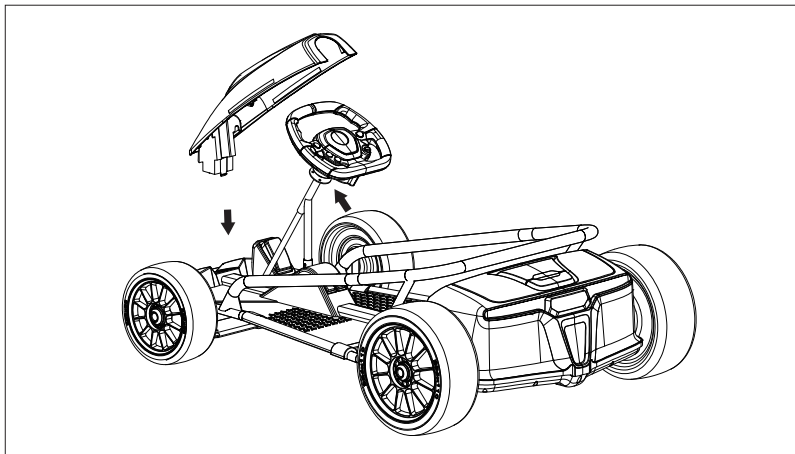
#### 6. Steering wheel assembly

Insert the steering wheel to the steering axle, fix them with M5\*50 screw and M5 locknut.



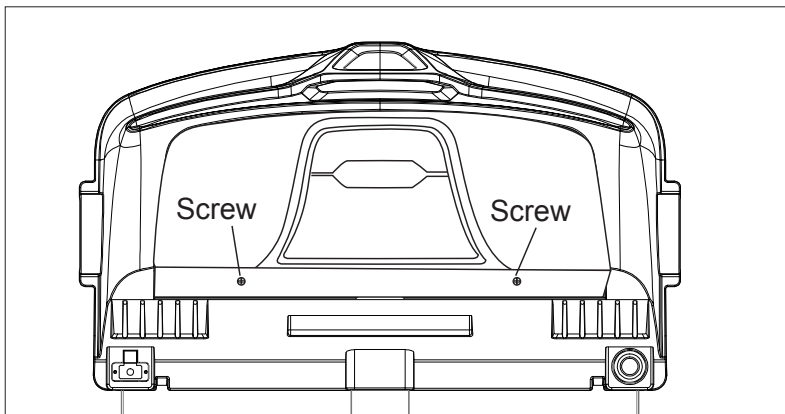
## 7. Head cover assembly

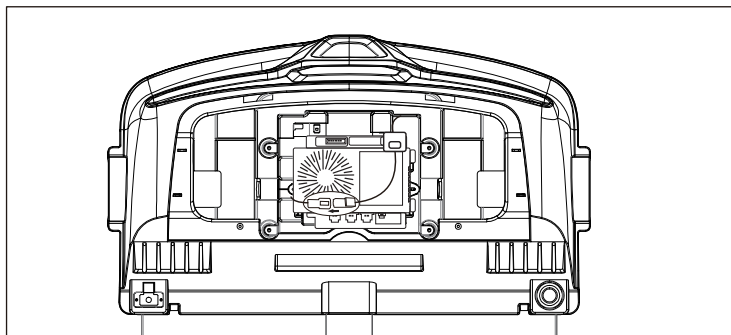
Insert the bottom of head cover to the car base, attach the top of head cover with steering wheel column, fix them with two 4\*12 flat head screws.



## 8. Battery connection

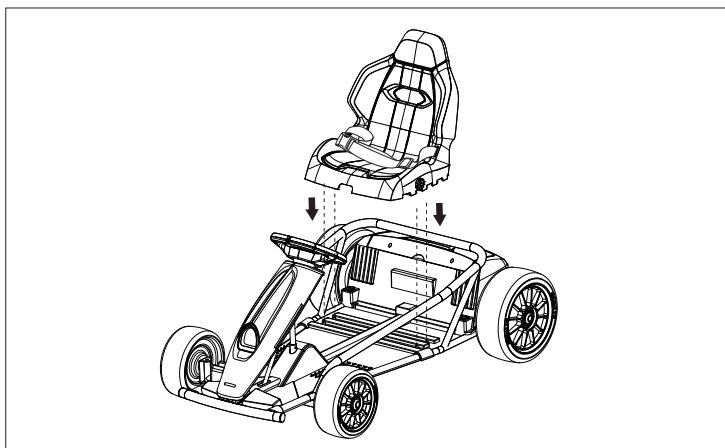
Remove the 2 screws and open the trunk lid, then connect the power wire's butt joint, cover the lid and fix it with 2 screws.





## 9. Seat assembly

Attach the seat with seat slot on car body, fix them with 4\*12 flat head screws.



## FUSE

This car has a auto-reset fuse, if the car stops suddenly during driving, it is mainly caused by instantaneous current exceeds ,which makes the fuse to trip. Then just stop operating for about 8 seconds, and this fuse can be reset.In order to avoid the fuse tripping and cutting off power supply, please pay attention to the following matters. This product can't be overloaded, the maximum load is 70kgs.

Don't drag anything behind the product.

Don't let the warter or other liquid into the batteries and other electrical components.

Don't change the circuit system and structure of the product.

## SECURITY WARNING

- 1.The installation and charging of vehicle should be under adults supervision at all times.
- 2.This product is limited to the children from 8-12 years old, 70 kg weight limit, please do not overload.
- 3.This product is ideal for driving on a hard flat surface.
- 4.It is strictly prohibited on the streets or the road, pot holes and slopes.
- 5.Avoid driving in the sand or grass or uneven ground.
- 6.Children should be given full instructions on operation of the car. Improper operation can cause damage or accidents.
- 7.While children are driving, it is parents' duty to supervise at all time to avoid accidents.
- 8.Avoid driving in rains or flooded pathways. By doing so it can damage the motor, circuit and other electrical equipments.
- 9.Battery charger should be regularly inspected by parents to insure that the wires, plugs, crusts and other components are not damaged. Please stop using if any damage is found, until it is completely restored.
- 10.In order to ensure product life and safety, avoid damage to the charger, battery or electric circuit, the car must use the default configuration of a dedicated charger and power supply.
- 11.Rechargeable batteries should be removed from the toy before charging.
- 12.When no use of product, please cut off the product power, and keep all the switch to "stop" or "off" position.
- 13.The charger provided is not a toy. It needs to be kept away from children.
- 14.Strictly prohibit using the non-manufacturer provided parts.
- 15.This product is made of PP material mainly, and the safe using time is two years.

## USAGE DIRECTION

1. Before using it, make sure that all the following works are done.

- Complete installation of the car according the steps described in the instructions, the battery plug-in has been connected, the power supply has been switched on.
- Make sure that all the positions which need the screws are fixed tightly.
- Parents or guardian should ensure that children have taken the safety measures before using.

To reduce the risk during using, pay attention the followings: When driving the car ,the child should sit on the car seat.

Adult or parents should take more care and guidance when children driving and can't leave away.

Pay attention to the driving environment and driving on the hard flat surface, not the unsafe environment.

For example:

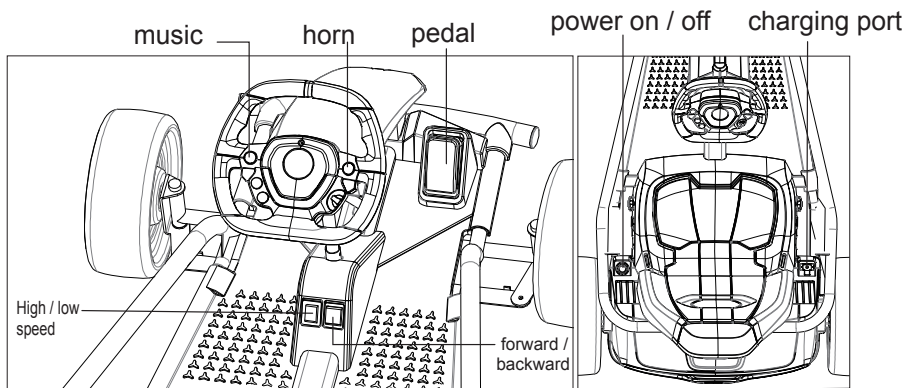
- a.The trenches, the riverside, slope or uneven ground;
- b.Road or other places for driving and walking;
- c.The obstruction which is easily hitting and causing injury;
- d.Other unsafe zones.

To avoid accident, please use only in daytime or bright place, avoid using under low visibility.

### WARNING:

When changing the gears, the accelerator should be released and the car has completely come to a stop. Prohibit to change the gear while the car is still moving, because that can damage the wire and other transmission parts.

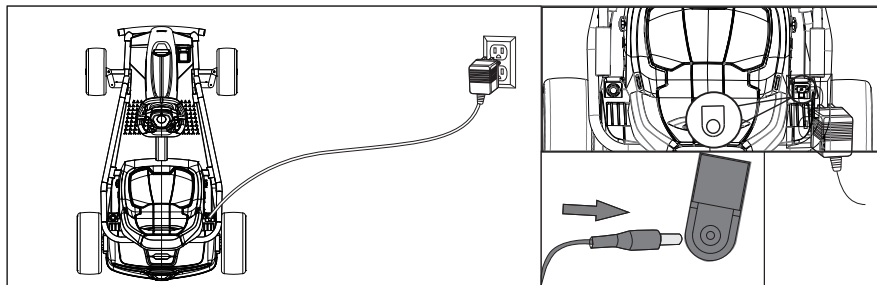
## 2. Operating(function reference diagram)



## CHARGING WAY

- For Safety purpose ,the charging must be done by adults.
- When it is the first time to use, open the engine trunk, connect two red clip locks of two wires. Please charge 8 to 12 hours.
- Charging port is locate beside the seat, follow the instructions to charge the battery.
- If the car has slowed down, it needs to be charged by 8-12 hours, maximum 20 hours.

- 1.First insert the plug of the charger into the charging port. (The car power will be cut off.)
- 2.Then insert the charger to the power socket.

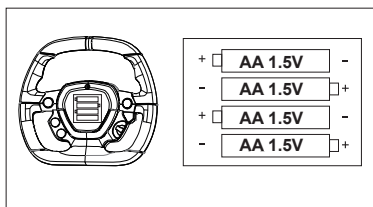


### **WARNING:**

- 1 The toy is to be assembled by an adult. In unassembled state, it contains potentially hazardous sharp points and small parts, so please keep out of baby's reach.
- 2 CHOCING HAZARD – Small parts.
- 3 Not for children under 3 years.
- 4 Always wear shoes.
- 5 RISK OF FIRE. Do not bypass. Replace only with circuit protection device.
- 6 Protective equipment should be worn. Not to be used in traffic.



How to change batteries: Use screwdriver to loosen the screw on the steering wheel, remove the battery cover and install four AA 1.5V alkaline type batteries according to the diagram (Batteries are self-provided), then close the battery cover and fix with a screw.



## Attention:

- Can only use the charger and battery according to manufacturers regulations.
- Do not mix old and new or different types of batteries.
- The battery terminal should not be short circuit.
- Do not open the battery or charger.
- Do not reverse the battery.
- Before charging, please check whether the charger, battery and plug are ok, if you find any broken parts, you must stop using it immediately. And do not use it until it is fully repaired.
- The battery will be little warm when being charged, it is normal. If not, it may be caused from the short circuit of charger or circuit board.
- Must use the pressing plate to fix the battery.
- Run out of battery must be handled by adults, remove the battery which has run out from toys to recycle properly and shall not be arbitrarily discard.
- If the product is going to be stored and unused for a long time , it must be fully charged and unplug two red clip locks , charge it every month to make sure the battery life.
- Charger and battery are not the toys. Keep them away from children.
- If the horn doesn't work, that means the battery is in low power, please change four new alkaline batteries.

## MAINTENANCE AND SERVICE

1. Before use, parents should check whether all parts like batteries, charger, wires, plug, outer body and other parts are in good condition, check whether the screws are loose and whether there are potential safety hazards. Any damaged parts should be repaired before using.
2. After using the product for a period of time, use a small amount of lubricating oil to the moving parts to prevent wear and tear of rust.
3. Keep the car away from fire and direct sunlight. Place it stably, not upside down. The car shall be stored indoors or outdoors under cover.
4. The car should be kept away from hot items, such as stoves or heaters, or the plastic parts will melt. When charging, the car should be kept away from inflammable materials to prevent it from catching fire.
5. Charge in time after use. Charging should be done by adults. If the product is going to be unused for a long time, it must be fully charged. Charge it every month so as to extend the battery lifespan.
6. A soft cloth must be used to clean the car. Do not use chemical solvents to clean the plastic parts. Do not use soap or water to clean the car. If driving in rainy or snowy weather, water can damage the motor, battery and circuit system.
7. When stopping or storing the car, please cut off the power and make sure all switches are in the 'STOP' or 'OFF' position.
8. Do not use fuses different from the specifications of this product.
9. Do not change the product structure and circuit system. Maintenance and repair work must be done under the guidance of the professional or technical personnel in place.
10. Do not use the product for other purposes. Put the battery in the right polarity.
11. Battery negative short circuit is prohibited. Non-rechargeable batteries cannot be charged.
12. Rechargeable batteries can only be charged under the supervision of the adult.
13. Do not mix old and new batteries or different types of batteries.
14. The battery running out of power should be removed from the car properly and not allowed to be played by children.
15. Disconnect the batteries completely when not in use and do not allow children to play with them.

## TROUBLESHOOTING

Car does not move or power on	If “power” switch is in OFF position
	If the battery is not connected, check the red and black wires.
	If the charger is plugged in, car will not power on. Unplug charger.
	If the pedal switch is not functioning properly
	If the wheels stuck and cannot move
Car moves slowly	If the battery is not fully charged. Need to be charged in time
	If there is an issue with the wheels
	If rider weight exceeds specifications
Battery does not charge	If the charger is malfunctioning
	If the battery lost its capacity
	If the charger and battery connection are charged

PINGHU SHUANGXI BABY CARRIER MANUFACTURE CO.,LTD.  
PINGHU BABY CARRIER INDUSTRY CITY, ZHEJIANG, CHINA

---

---