

# VOLTZ TOYS™®

A subdivision of The DAAN Groups

## CONTACT US

Before returning your product, please contact us first! Voltz Toys Customer Service can assist you with any replacement parts, damages, or defective issues reported. You can contact us directly at [www.voltztoys.ca](http://www.voltztoys.ca).

Email: [help@voltztoys.ca](mailto:help@voltztoys.ca)

Phone number: 1-888-338-6589

Head Office: Unit 7-3600A Laird Rd, Mississauga, ON, L5L 6A6

## USER MANUAL



**MODEL: DG-8CA02**



## COMPLIANCE STANDARDS:

SOR/2011-17

SOR/2018-138

SOR/2016-195

SOR/2016-302

SOR/2018-83

SOR/2016-188

SOR/2014-254

EN71

ASTM F963-17

CPSIA

**Can-am RENEGADE ATV**

**ENGLISH**

Please read the manual before using the product. The manual and carton contain important information. Please keep the manual for later references. Failure to follow the instructions in the manual may result in damages, accidents, or defective issues with the product.

To improve the product and quality, we may alter the structure, appearance, packing method, assembly method, and product function without any notice.

When there are any differences between the manual and the product, please refer to the actual product itself. We apologize for any inconvenience caused.

An adult should assemble the product. All pictures shown are for illustration and reference purposes only. The actual product may vary due to product enhancement.

**Disclaimer:**








The pictures in the instructions are for assembly reference only. Please refer to the actual product.

 **WARNING**

This product is not used for transportation and only should be used under adult guidance and supervision. Parents should ensure that children have followed the safety measures before use. Children should use the toy with caution and under adult supervision. To prevent injury to users and others, basic coordination skills and awareness are required to avoid accidents, falls, or collisions.

# PARTS LIST

PARTS NAME	PICTURE	QTY	PARTS NAME	PICTURE	QTY
Car body	 #1	1	Front guard bar	 #2	1
Steering axle	 #3	1	Dashboard MP3	 #4	1
Seat	 #5	1	Taillight	 #6	1
Handle bar	 #7	1	Cover for handle bar	 #8	1
Rear axle	 #9	1	Motor	 #10	4
Wheel	 #11	4	Wheel cover	 #12	4
Manual	 #13	1	Charger	 #14	1
Socket wrench	 #15	2	Pin	 #16	1

PARTS NAME	PICTURE	QTY	PARTS NAME	PICTURE	QTY
M10 nut	 #17	1	M10 Gasket	 #18	1
M4*10mm screws	 #19	22	M12 Gasket	 #20	7
Wheel connection	 #21	4	Mp3 line	 #22	1
M6 bolt/nut	 #23	1			

## ASSEMBLY PREPARATION

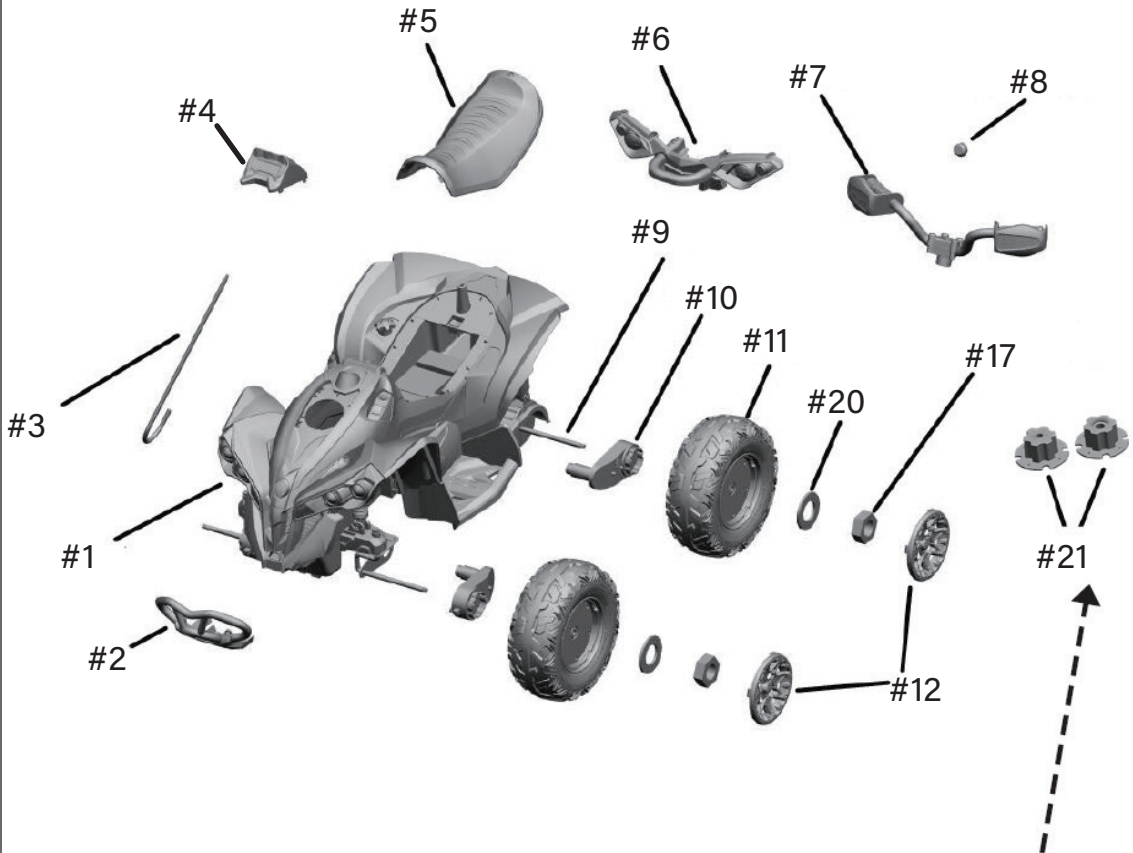
- Adults must assemble the car.
- The product contains small items that may present choking hazards. Keep children away from assembling. Children under 36 months are prohibited from using.
- Review and count all parts carefully before assembling. Properly dispose of all plastic bags and other packaging materials.

**Attention:** Please install the car as per the following order procedure. Otherwise, some parts can not be installed correctly.

# PRODUCT SPECIFICATIONS

Car Model	DG-8CA02
Battery	12V7AH / 24V7AH
Suitable age	37-95 months
Weight Limit	30 kg
Product Size	108 x 63.5 x 70 cm
Speed	3-8 km / hour
Charging time	8-12 hours
Charger	Input: 220V / 110V Output: DC12V1000mA / 28.8V800mA
Motor	12V12000 RPM of driving motor 12V4800 RPM of steering motor 24V12000 RPM of driving motor 24V5000 RPM of steering motor

# PARTS NAME

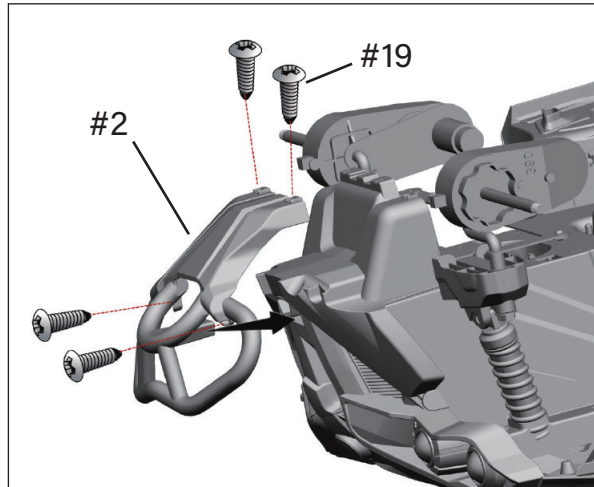


Install "connection for wheel" on 4 wheels without connections before installing wheels.

# 1. FRONT GUARD BAR ASSEMBLY

**Parts required: #2, #19**

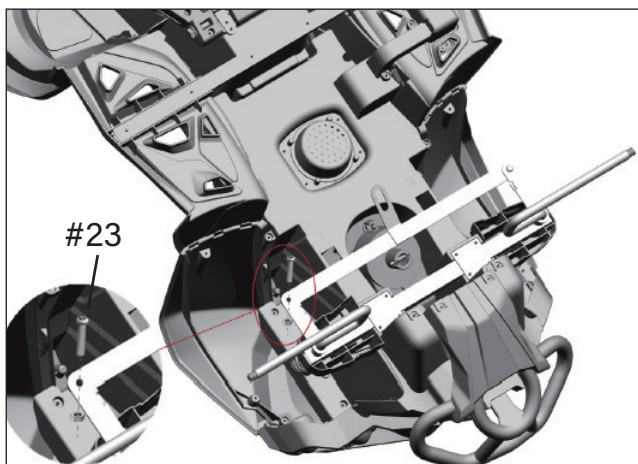
Start installation with upside-down position. Align the guard bar with the opening in front of the unit, fix the connection with 4x M4\*10mm screws as shown on the diagram.



# 2. FRONT AXLE ADJUSTMENT

**Parts required: #23**

Adjust the front axle unit as shown on the diagram. Use M6 bolt/nut set to fix the connection. (Note: do not over tighten the connection, confirm the joint could move around smoothly.)

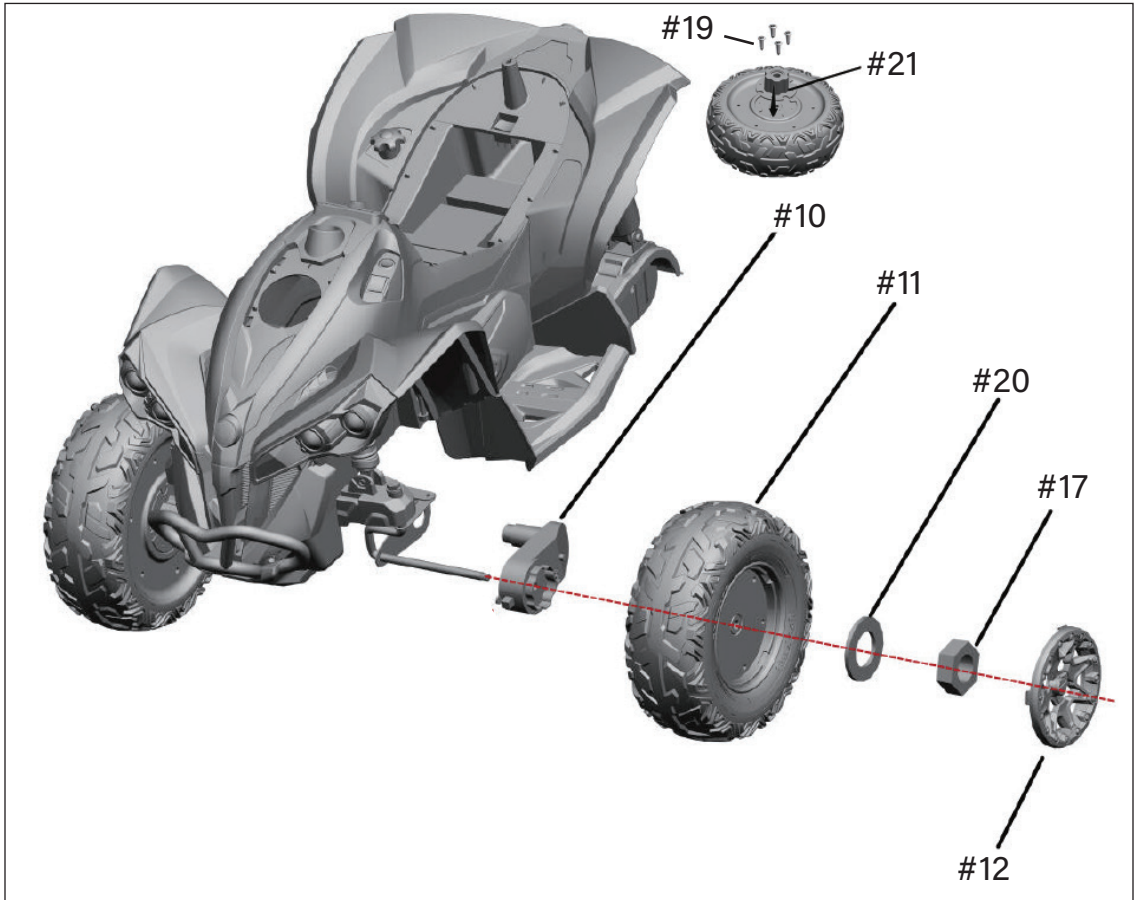


### 3. FRONT WHEEL ASSEMBLY

**Parts required: #10, #11, #12, #17, #19, #20, #21**

**(A)** Align the motor adapter on the wheel with corresponding openings. Fix the connection with 4x M4\*10mm screws. Repeat this with all 4 wheels.

**(B)** Slide wheel, M12 washer through the axle, secure the connection with M10 nut, then mount the wheel cover.

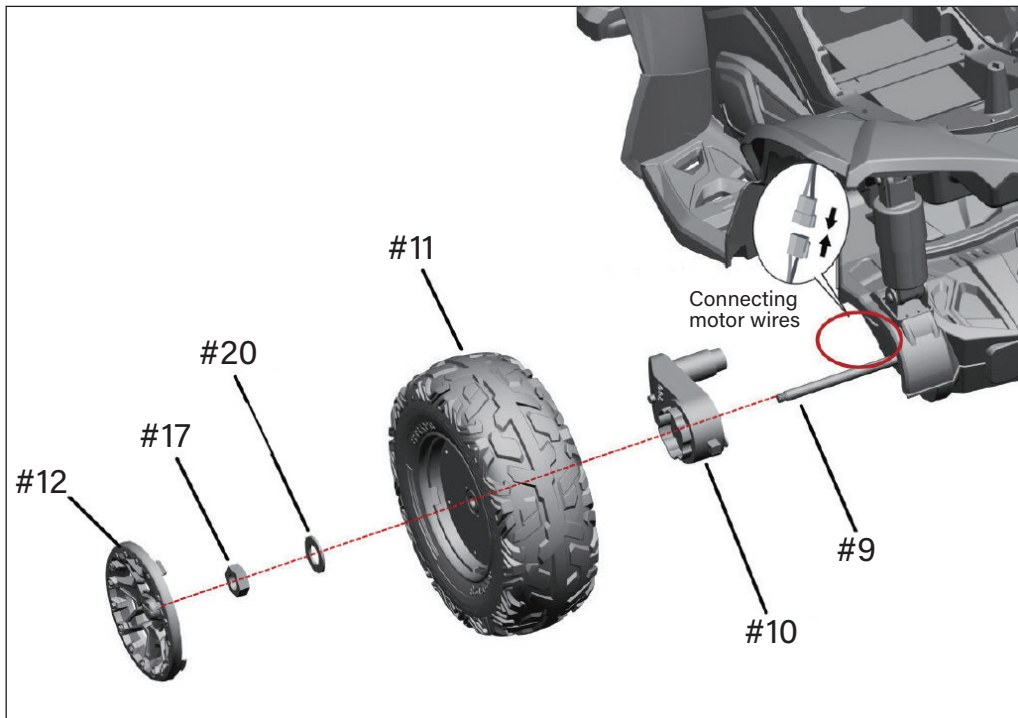




## 4. REAR WHEELS ASSEMBLY

**Parts required: #9, #10, #11, #12, #17, #20**

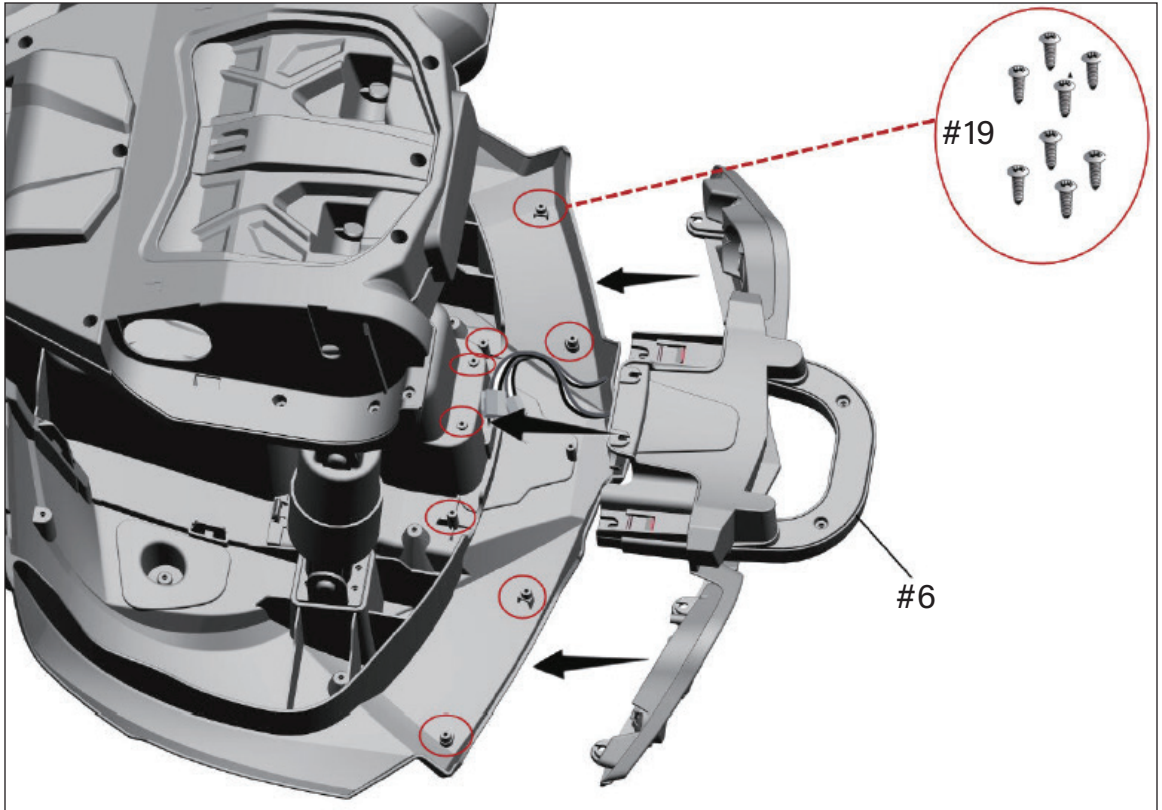
Slide the rear axle into the designated opening. Slide the motor to corresponding side and connect the cable, then slide the rest in the following order: wheel, M12 washer. Secure the connection with M10 nut, then mount the wheel cover.



## 5. TAILLIGHT ASSEMBLY

Parts required: #6, #19

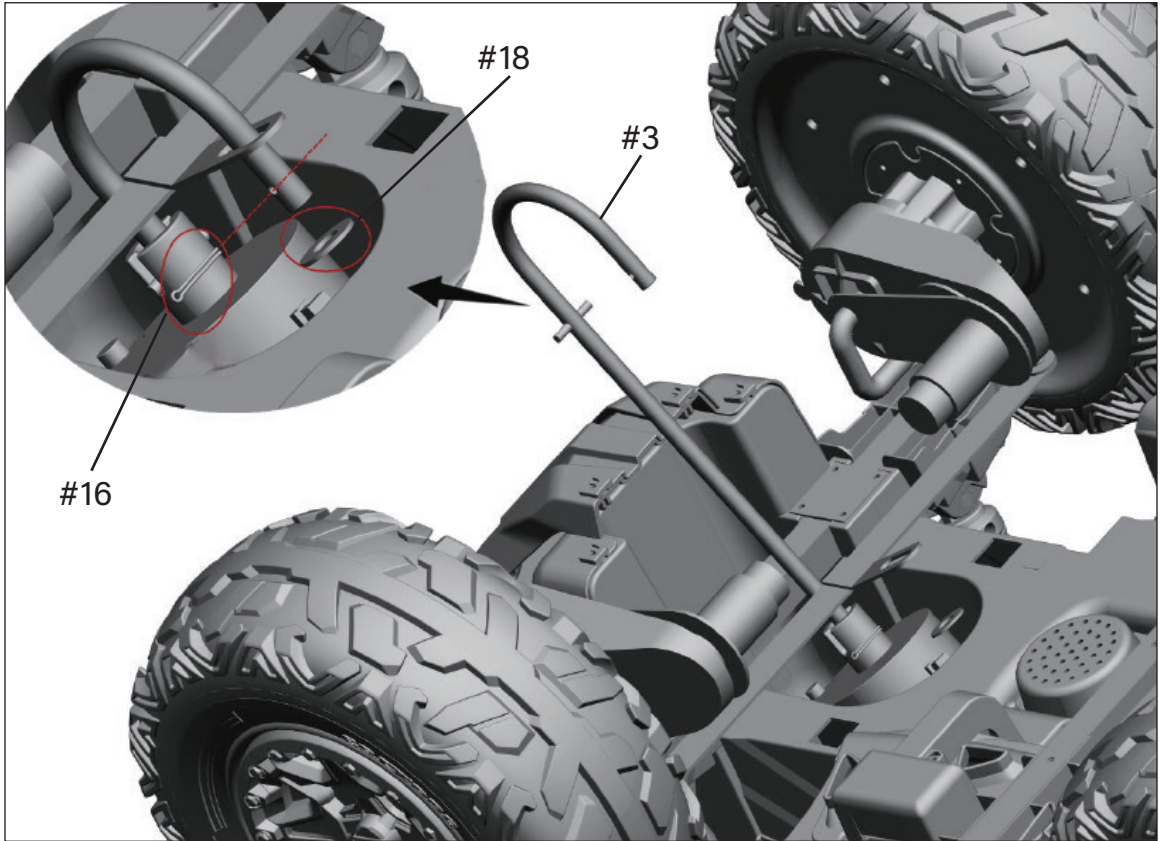
Align the rear taillight with the car body. Slide the power cables into the car body and fix the connection with 8x M4\*10mm screws as shown on the diagram.



## 6. STEERING AXLE ASSEMBLY

**Parts required: #3, #16, #18,**

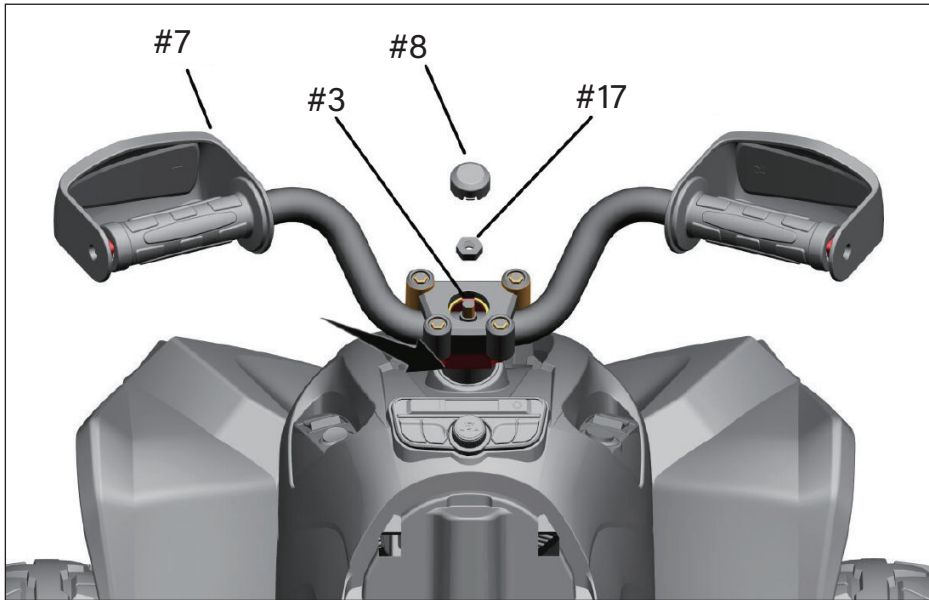
Insert the steering column through the designated opening on the car body. Make sure the u-shape hooks through the front axle opening, place a M10 washer and fix the column connection as shown on the diagram with pin.



## 7. HANDLE BAR ASSEMBLY

**Parts required: #3, #7, #8, #17**

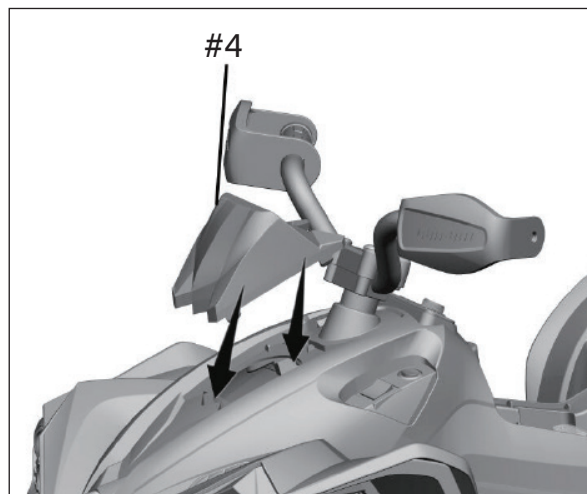
Insert the handle bar through the steering column. Fix the connection with M10 nuts. Then cover the opening with handle bar cap.



## 8. DASHBOARD ASSEMBLY

**Parts required: #4**

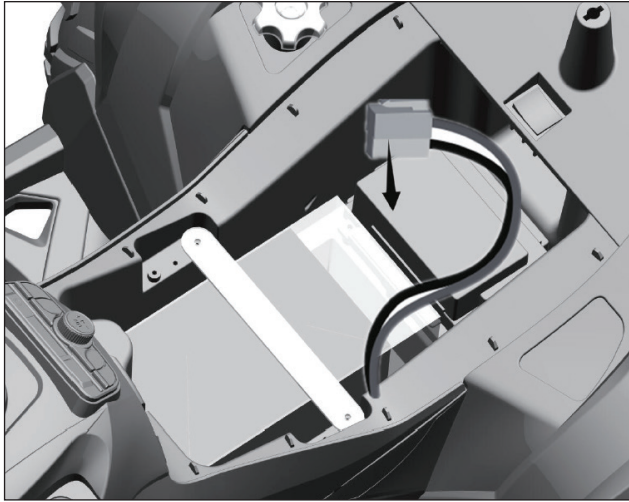
Align the plastic dashboard with designated opening. Press firmly until it clicks.



## 9. POWER CONNECTION

**Parts required: N/A**

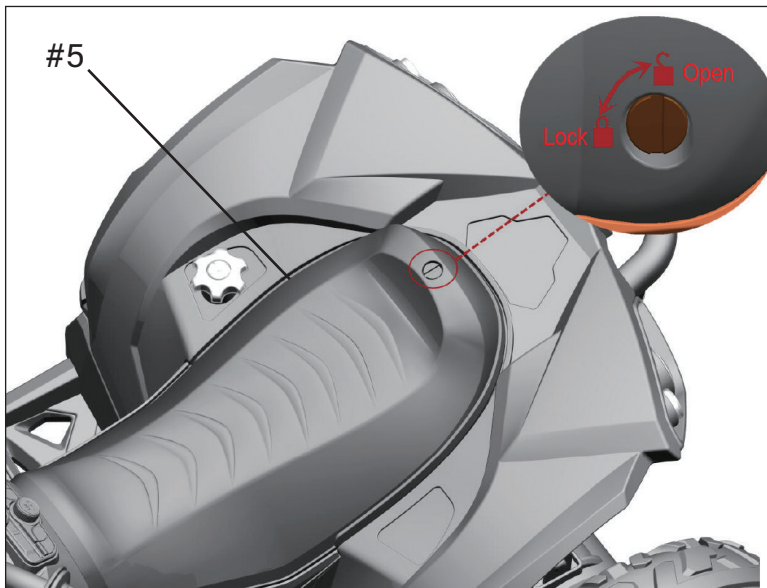
Connect the battery cable, as well as the taillight cable. Press firmly and test the connection by turning on the unit.



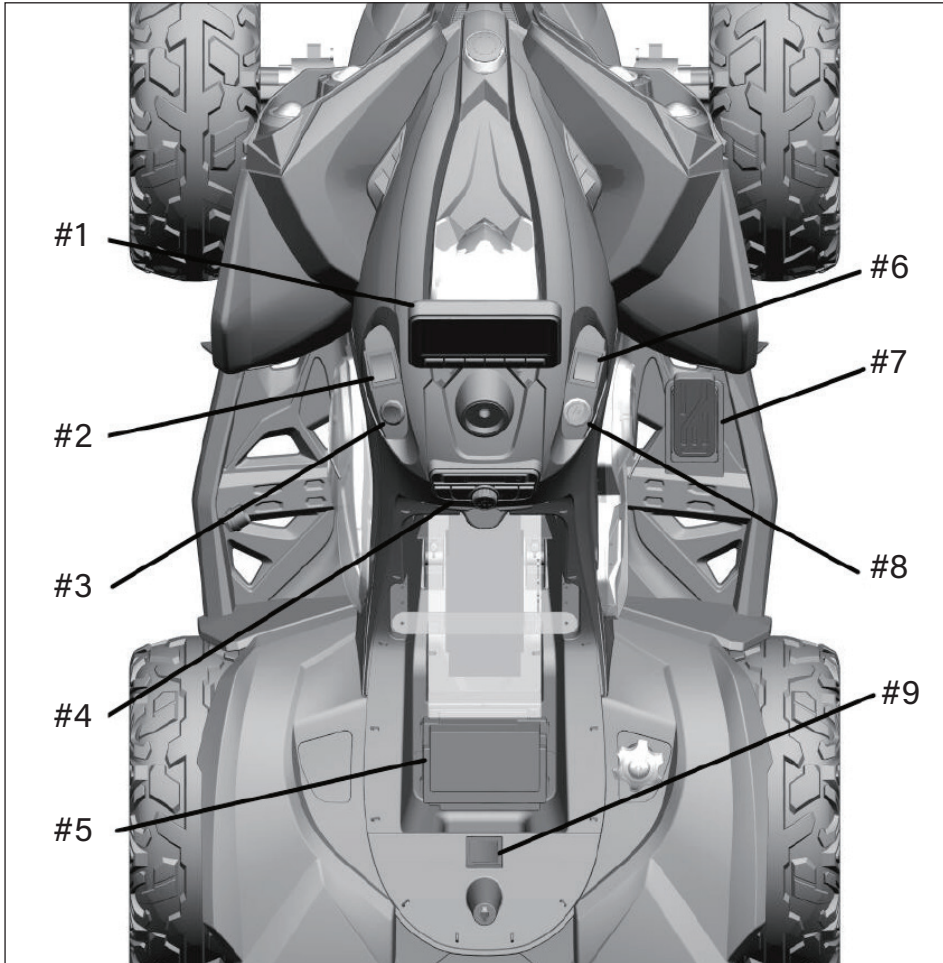
## 10. SEAT ASSEMBLY

**Parts required: #5**

Place the seat at designated location, use the locking mechanism to secure the connection.



# DASHBOARD



- |                  |                                    |
|------------------|------------------------------------|
| 1. Plastic trim  | 5. RC receiver                     |
| 2. Motor switch  | 6. Switch of Forward/Stop/Backward |
| 3. Lights switch | 7. Pedal                           |
| 4. Mp3 player    | 8. Power switch                    |
|                  | 9. Remote/Manual switch            |

Description for the switch of Manual / Remote.

For safety reason, the switch of Manual / Remote is installed under the seat, so that children can't touch it.

Under the Manual, the car only can drive by the child.

Under the Remote, the car only can drive by the remote control.

# MP3 PLAYER



1. USB port
2. LCD display
3. AUX port
4. Education(Press again to change to next one)
5. Story(Press again to change to next one) Last song under the USB/Bluetooth functions
6. Rotate left to decrease volume / Rotate right to increase volume
7. Music(Press again to change to next one) Next song under the USB/Bluetooth functions
8. MODE choose(Music/Radio/Bluetooth/USB/MP3)

# FUSE

This car is equipped with an auto-reset fuse. If the car stops suddenly while driving, it is caused by the instantaneous current exceeding, enabling the fuse to trip. This will result in the car disabling for about 8 seconds, and this fuse can be reset.

To avoid tripping the fuse:

- Do not exceed the maximum load capacity; the maximum load is 30kg.
- Do not drag any objects behind the product.
- Do not expose water or other liquids to the battery and other electrical components.
- Do not change and/or modify the circuit system and the structure of the product.

# SECURITY WARNING

1. The assembly and charging routine of the vehicle must be under adult supervision at all times.
2. This product is recommended for children ages 37-95 months. Do not exceed the maximum weight limit of 30kg.
3. This product is ideal for driving on hard flat surfaces (e.g, concrete, gravel, asphalt, etc).
4. It is strictly prohibited to drive on the street, roads, potholes, and slopes.
5. Avoid driving in sand, grass, uneven ground, or other terrains that may damage the vehicle.
6. Children should be given full instructions and how to operate the car. Improper use can cause damages or accidents.
7. Parents are responsible to supervise at all times to avoid accidents while children are driving.
8. Avoid driving in the rain or flooded pathways. Exposure to water can damage the motor, circuit, and other electrical equipment.
9. Parents should inspect the battery charger to ensure it is in good working condition. Any damages or abnormalities regarding wires, plugs, or other components are prohibited to continue using. Do not use it until parts are completely repaired.



10. To maintain product life and safety, avoid damaging the charger, battery, or electrical circuit. The car must use the default configuration of the dedicated charger and power supply.
11. Rechargeable batteries should be removed from the toy before charging.
12. When inactive, disconnect the car's power by unplugging the (red) battery wire, ensuring all switches are in the "STOP" or "OFF" position.
13. The charger is not a toy. Please keep away from children.
14. Using non-manufacturer or third-party parts is strictly prohibited.
15. This product is mainly composed of PP material. The expected product-usage life is two years.

## **USAGE DIRECTION**

Before using the car, review the following procedures to ensure functionality:

1. All steps are followed per the instructions to complete the car's assembly. Specifically, the battery wire is connected correctly, and the power supply has been switched on to confirm functionality.
2. Make sure all parts requiring hardware are fixed tightly and correctly.
3. Adults must ensure children have taken safety measures before use.
4. To reduce accidents while using, the child must be seated at all times.
5. Follow the product's recommended seating capacity. Please do not exceed the maximum number of users to ride.
6. Adults must always supervise their children while the car is in use.
7. Adults are responsible for the care and guidance of their child while the car is in use, ensuring the child is not left unattended.
8. Pay attention to the driving environment and surfaces. Ensure the car is not driven in an unsafe environment.
9. Pay attention to the road, trenches, riverside, slopes, or uneven ground.
10. Not to be used on public roads or near ongoing traffic.
11. The car should only be used in daytime and under light for visibility. Do not use the car at night or under low visibility.
12. To avoid unexpected obstacles or events, adults must supervise at all times.

## **WARNING**

1. The car should not be driven on dangerous terrain or environments. This includes the road, bodies of water, or obstacles.
2. Install batteries with correct polarity to avoid short circuits.
3. Charging is to be done by adults.
4. Remove the battery if the car is inactive (at least one month) for an extended period. Properly remove and handle batteries, and keep away from children.

## **CHARGING PROCEDURES**

- For safety purposes, charging must be done by adults.
  - When initially assembled, charge for 8-12 hours before using.
  - The charging port is located as shown on the diagram. Follow the instructions to charge the battery.
  - If the car is starting to slow down, this indicates the battery is low. Recharge for 8-12 hours, maximum 20 hours. Do not overcharge or undercharge.
1. First, insert the charger into the charging port.
  2. Carefully insert the charger outlet into the power outlet. Please note the car will not turn on when the car is connected.

## **WARNING**

1. The assembly of the car must be done by an adult. When unassembled, it contains potentially hazardous parts that are sharp or small. Please keep out of children's reach.
2. Choking hazards of small parts.
3. Not for children under 36 months. Recommended for 37-95 months.
4. Always wear shoes or footwear when using the toy.
5. RISK OF FIRE. Do not bypass. Replace only with circuit protection devices.
6. Protective equipment should be worn.

## **ATTENTION**

- Dedicated charger and battery can only be used under manufacturer's regulations.
- Do not mix old, new or different types of batteries.
- The battery terminal should not be short circuit.
- Do not open the battery or charger.
- Do not reverse the battery.
- Before charging, please inspect the charger, battery, and plug to ensure no damages or abnormalities are found. If any damages are found, discontinue usage of the car until the parts are replaced or resolved.
- The battery may feel warm while being charged - this is normal. If the temperature from the charger does not elevate, it may be caused by a short circuit from the charger or circuit board.
- Must use the pressing plate to fix the battery.
- When the battery is no longer functional, adults are responsible for removing and safely disposing of the battery in a battery-safe disposition facility.
- When the product is inactive (at least one month), it must be fully charged. Unplug the (red) battery wire, and charge it at least once a month to ensure battery functionality and life.
- The charger and battery are not toys. Keep away from children.

# MAINTENANCE AND SERVICE

1. Before using, adults are responsible for reviewing the product and essential parts are in a functional condition. Check whether screws are loose or other potential hazards. Any damaged or defective parts must be repaired or resolved before using.
2. Use a small amount of oil-based lubricant to moving parts to prevent rust or wear or tear (e.g. motors, gears, hardware, etc.).
3. Keep the car away from fire and direct sunlight. Store the car in a stable position and must be kept safely away from extreme temperatures or climate.
4. The car must be kept away from hot objects, such as stoves and heaters. Direct exposure to hot objects will melt the plastic. The car must be kept away from flammable materials to prevent ignition or fire when charging.
5. After using the car, charge the car adequately and must be done by an adult. If the product is inactive, it must be fully charged. Charge at least once a month to ensure battery functionality and life.
6. Use a soft cloth to clean the car. Do not use chemical solvents, soap, or water to clean the vehicle. Do not drive under precipitation (e.g. snow, rain, etc.) as this will damage the motor, battery and circuit system.
7. When inactive or discontinued, shut off all power by disconnecting the (red) battery wire, and all switches are in the "STOP" or "OFF" position.
8. Do not use third-party or different fuses.
9. Do not modify the product structure or circuit system. Maintenance and repair work must be done under the guidance of a professional or technician.
10. Do not use the product for other purposes.
11. Battery negative short circuit is prohibited.
12. Rechargeable batteries must be charged under adults' supervision. Non-rechargeable batteries can not be charged. Ensure the batteries are installed in the correct polarity.
13. Do not mix old and new batteries, including different types of batteries.

14. Low batteries should be removed from the car and kept away from children.
15. Disconnect the batteries when completely inactive or discontinued. Do not let children use the car in this state.

## TROUBLESHOOTING

<p>The car does not move or power on</p>	<ul style="list-style-type: none"> <li><input type="checkbox"/> The power switch is in the “OFF” position.</li> <li><input type="checkbox"/> The fuse is not functioning properly.</li> <li><input type="checkbox"/> The battery (red) wire is not connected properly, check the battery terminals, and the battery wire.</li> <li><input type="checkbox"/> If the charger is plugged in, the car will not turn on. Unplug the charger first before turning on the car.</li> <li><input type="checkbox"/> Check the pedal switch if it is disconnected or defective.</li> </ul> <p>The wheels are stuck and cannot move; check the wheels and motors if functioning properly.</p>
<p>The car is moving slowly</p>	<ul style="list-style-type: none"> <li><input type="checkbox"/> If the battery is not fully charged, it will not run properly. Charge the car adequately for 8-12 hours.</li> <li><input type="checkbox"/> Check the wheels and motors. Inspect the gears on the wheels, and motors if they are functioning properly. If damaged, the car will not run accordingly.</li> <li><input type="checkbox"/> The car has a maximum weight capacity. If the user weight exceeds the recommended weight, the car will not run at full speed.</li> </ul>
<p>The battery does hold a charge</p>	<ul style="list-style-type: none"> <li><input type="checkbox"/> If the charger is defective. The charger must be showing a red or green light depending on the status of the battery. If the light is not showing, changing from red to green, or staying one color, the charger may be defective.</li> <li><input type="checkbox"/> The battery life has deteriorated. Please use a voltmeter to verify the voltage post-charge. If it falls below the standard voltage amount, please replace the battery.</li> <li><input type="checkbox"/> If the charging port between the charger and battery is defective. The charging port provides electricity output between the charger and battery. If the charging port is defective, then the battery can not charge.</li> </ul>