

VOLTZ TOYS™®

A subdivision of The DAAN Groups

CONTACT US

Before returning your product, please contact us first! Voltz Toys Customer Service can assist you with any replacement parts, damages, or defective issues reported. You can contact us directly at www.voltztoys.ca.

Email: help@voltztoys.ca

Phone number: 1-888-338-6589

Head Office: Unit 7-3600A Laird Rd, Mississauga, ON, L5L 6A6

USER MANUAL



MODEL: DG-83500



COMPLIANCE STANDARDS:

SOR/2011-17

SOR/2018-138

SOR/2016-195

SOR/2016-302

SOR/2018-83

SOR/2016-188

SOR/2014-254

EN71

ASTM F963-17

CPSIA

FERRARI 488 GTE

ENGLISH

Please read the manual before using the product. The manual and carton contain important information. Please keep the manual for later references. Failure to follow the instructions in the manual may result in damages, accidents, or defective issues with the product.

To improve the product and quality, we may alter the structure, appearance, packing method, assembly method, and product function without any notice.

When there are any differences between the manual and the product, please refer to the actual product itself. We apologize for any inconvenience caused.

An adult should assemble the product. All pictures shown are for illustration and reference purposes only. The actual product may vary due to product enhancement.

Disclaimer:





The pictures in the instructions are for assembly reference only. Please refer to the actual product.



WARNING

This product is not used for transportation and only should be used under adult guidance and supervision. Parents should ensure that children have followed the safety measures before use. Children should use the toy with caution and under adult supervision. To prevent injury to users and others, basic coordination skills and awareness are required to avoid accidents, falls, or collisions.

PARTS LIST

PARTS NAME	PICTURE	QTY	PARTS NAME	PICTURE	QTY
Car body	 #1	1	Steering wheel	 #2	1
Steering axle	 #3	1	User manual	 #4	1

PRODUCT SPECIFICATIONS

Car Model	DG-83500
Battery	N/A
Suitable age	18-35 months
Weight Limit	20 kg
Product Size	71.1 x 29.8 x 42 cm

ASSEMBLY PREPARATION

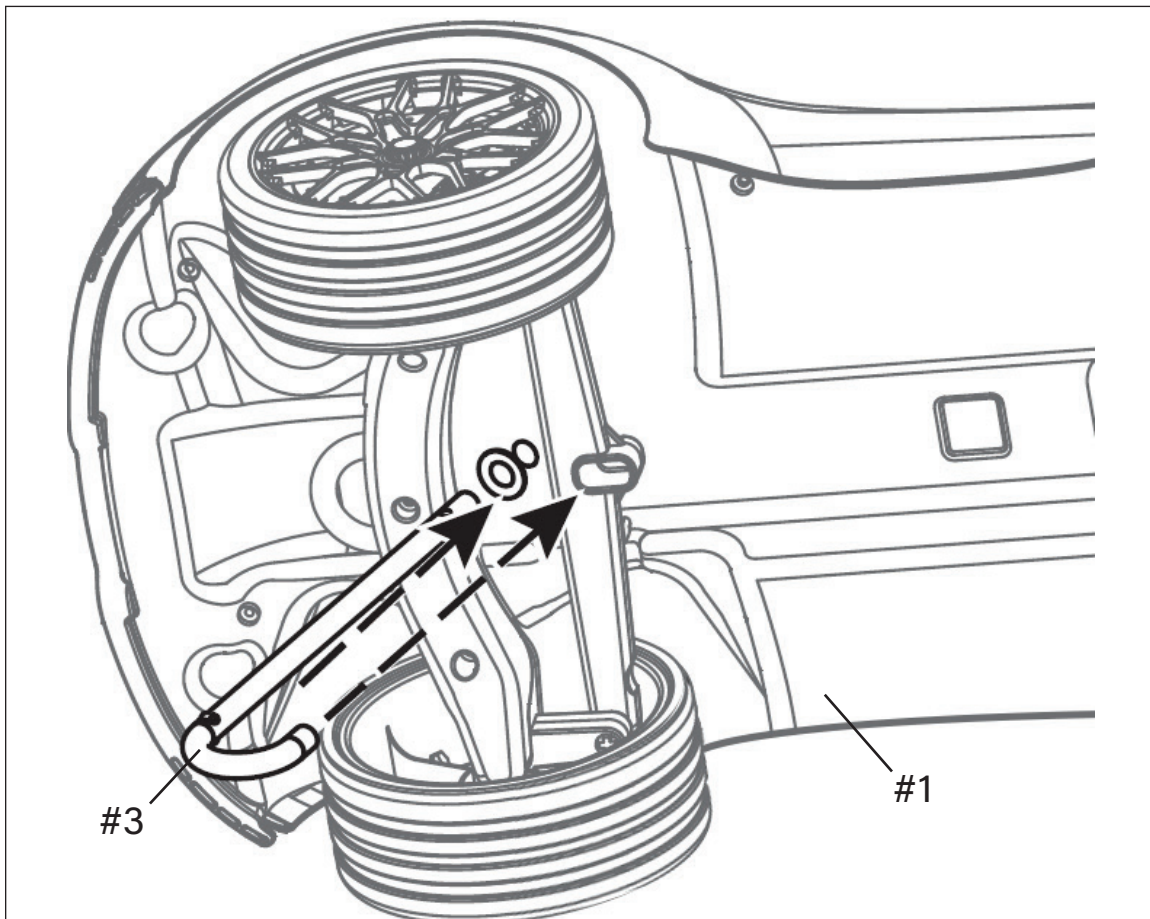
- Adults must assemble the car.
- The product contains small items that may present choking hazards. Keep children away from assembling. Children under 18 months are prohibited from using.
- Review and count all parts carefully before assembling. Properly dispose of all plastic bags and other packaging materials.

Attention: Please install the car as per the following order procedure. Otherwise, some parts can not be installed correctly.

1. STEERING AXLE ASSEMBLY

Parts required: #1, #2, #3

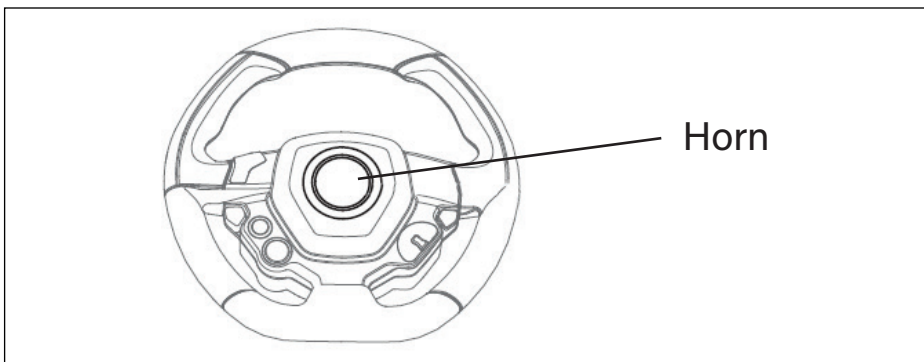
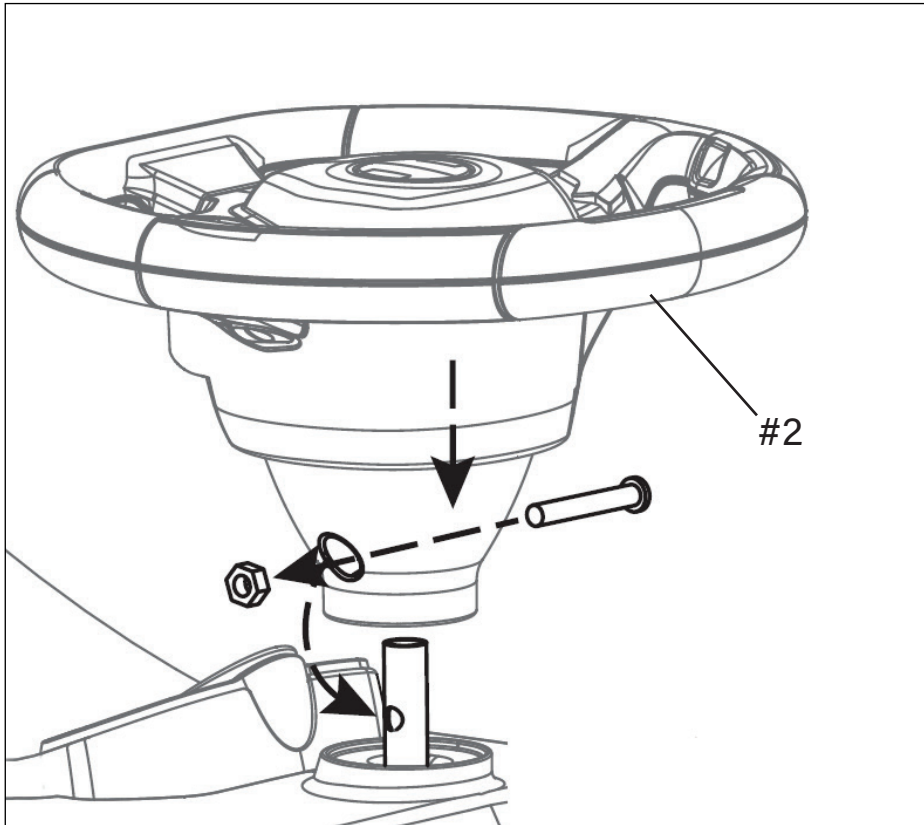
Put the washer from the longer end of the steering column, and slide the steering column from the bottom of the unit. Make sure the shorter end of the u-shape column hooked with designated steering hole on the front axle. See diagram for detail.



2. STEERING WHEEL ASSEMBLY

Parts required: #2

Slide the steering wheel to the steering column, align the steering wheel opening with the steering column opening. Insert the bolt and secure the other end with nut. Note, the nut has a designated hex slot.



SECURITY WARNING

1. The assembly of the vehicle must be under adult supervision at all times.
2. This product is recommended for children ages 18-35 months. Do not exceed the maximum weight limit of 20kg.
3. This product is ideal for driving on hard flat surfaces (e.g, concrete, gravel, asphalt, etc).
4. It is strictly prohibited to drive on the street, roads, potholes, and slopes.
5. Avoid driving in sand, grass, uneven ground, or other terrains that may damage the vehicle.
6. Children should be given full instructions and how to operate the car. Improper use can cause damages or accidents.
7. Parents are responsible to supervise at all times to avoid accidents while children are driving.
8. Avoid driving in the rain or flooded pathways. Exposure to water can damage the motor, circuit, and other electrical equipment.
9. Using non-manufacturer or third-party parts is strictly prohibited.
10. This product is mainly composed of PP material. The expected product-usage life is two years.

USAGE DIRECTION

Before using the car, review the following procedures to ensure functionality:

1. All steps are followed per the instructions to complete the car's assembly.
2. Make sure all parts requiring hardware are fixed tightly and correctly.
3. Adults must ensure children have taken safety measures before use.
4. To reduce accidents while using, the child must be seated at all times.
5. Follow the product's recommended seating capacity. Please do not exceed the maximum number of users to ride.
6. Adults must always supervise their children while the car is in use.
7. Adults are responsible for the care and guidance of their child while the car is in use, ensuring the child is not left unattended.

8. Pay attention to the driving environment and surfaces. Ensure the car is not driven in an unsafe environment.
9. Pay attention to the road, trenches, riverside, slopes, or uneven ground.
10. Not to be used on public roads or near ongoing traffic.
11. The car should only be used in daytime and under light for visibility. Do not use the car at night or under low visibility.
12. To avoid unexpected obstacles or events, adults must supervise at all times.

WARNING

1. The assembly of the car must be done by an adult. When unassembled, it contains potentially hazardous parts that are sharp or small. Please keep out of children's reach.
2. Choking hazards of small parts.
3. Not for children under 18 months. Recommended for 18-35 months.
4. Always wear shoes or footwear when using the toy.
5. Protective equipment should be worn.

MAINTENANCE AND SERVICE

1. Before using, adults are responsible for reviewing the product and essential parts are in a functional condition. Check whether screws are loose or other potential hazards. Any damaged or defective parts must be repaired or resolved before using.
2. Use a small amount of oil-based lubricant to moving parts to prevent rust or wear or tear (e.g. motors, gears, hardware, etc.).
3. Keep the car away from fire and direct sunlight. Store the car in a stable position and must be kept safely away from extreme temperatures or climate.
4. The car must be kept away from hot objects, such as stoves and heaters. Direct exposure to hot objects will melt the plastic. The car must be kept away from flammable materials to prevent ignition or fire when charging.

5. Use a soft cloth to clean the car. Do not use chemical solvents, soap, or water to clean the vehicle. Do not drive under precipitation (e.g. snow, rain, etc.)
6. Do not use the product for other purposes.

TROUBLESHOOTING

<p>The car does not move or power on</p>	<ul style="list-style-type: none"> <input type="checkbox"/> The power switch is in the “OFF” position. <input type="checkbox"/> The fuse is not functioning properly. <input type="checkbox"/> The battery (red) wire is not connected properly, check the battery terminals, and the battery wire. <input type="checkbox"/> If the charger is plugged in, the car will not turn on. Unplug the charger first before turning on the car. <input type="checkbox"/> Check the pedal switch if it is disconnected or defective. <p>The wheels are stuck and cannot move; check the wheels and motors if functioning properly.</p>
<p>The car is moving slowly</p>	<ul style="list-style-type: none"> <input type="checkbox"/> If the battery is not fully charged, it will not run properly. Charge the car adequately for 8-12 hours. <input type="checkbox"/> Check the wheels and motors. Inspect the gears on the wheels, and motors if they are functioning properly. If damaged, the car will not run accordingly. <input type="checkbox"/> The car has a maximum weight capacity. If the user weight exceeds the recommended weight, the car will not run at full speed.
<p>The battery does hold a charge</p>	<ul style="list-style-type: none"> <input type="checkbox"/> If the charger is defective. The charger must be showing a red or green light depending on the status of the battery. If the light is not showing, changing from red to green, or staying one color, the charger may be defective. <input type="checkbox"/> The battery life has deteriorated. Please use a voltmeter to verify the voltage post-charge. If it falls below the standard voltage amount, please replace the battery. <input type="checkbox"/> If the charging port between the charger and battery is defective. The charging port provides electricity output between the charger and battery. If the charging port is defective, then the battery can not charge.

Produced under license of Ferrari S.p.A. The name FERRARI, the PRANCING HORSE device, all associated logos and distinctive designs are property of Ferrari S.p.A. The body designs of the Ferrari cars are protected as Ferrari S.p.A. property under design, trademark and trade dress regulations.

Licensee: RASTAR (HK) INDUSTRIAL COMPANY LIMITED

Manufacturer: RASTAR GROUP

Add: Xinghui Industrial Park, Xiadao Road,
Shanghua, Chenghai, Shantou, GuangDong, China.

[Http://www.rastar.com](http://www.rastar.com)

01.04.83400.01463