

VOLTZ TOYS™®

A subdivision of The DAAN Groups

CONTACT US

Before returning your product, please contact us first! Voltz Toys Customer Service can assist you with any replacement parts, damages, or defective issues reported. You can contact us directly at www.voltztoys.ca.

Email: help@voltztoys.ca

Phone number: 1-888-338-6589

Head Office: Unit 7-3600A Laird Rd, Mississauga, ON, L5L 6A6

USER MANUAL



MODEL: DG-82700

COMPLIANCE STANDARDS:

SOR/2011-17

SOR/2016-188

SOR/2018-138

SOR/2014-254

SOR/2016-195

EN71

SOR/2016-302

ASTM F963-17

SOR/2018-83

CPSIA



FERRARI LAFERRARI

ENGLISH

Please read the manual before using the product. The manual and carton contain important information. Please keep the manual for later references. Failure to follow the instructions in the manual may result in damages, accidents, or defective issues with the product.

To improve the product and quality, we may alter the structure, appearance, packing method, assembly method, and product function without any notice.

When there are any differences between the manual and the product, please refer to the actual product itself. We apologize for any inconvenience caused.

An adult should assemble the product. All pictures shown are for illustration and reference purposes only. The actual product may vary due to product enhancement.

Disclaimer:


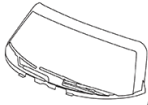



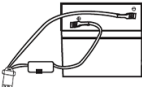

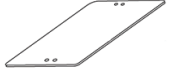






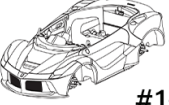



The pictures in the instructions are for assembly reference only. Please refer to the actual product.

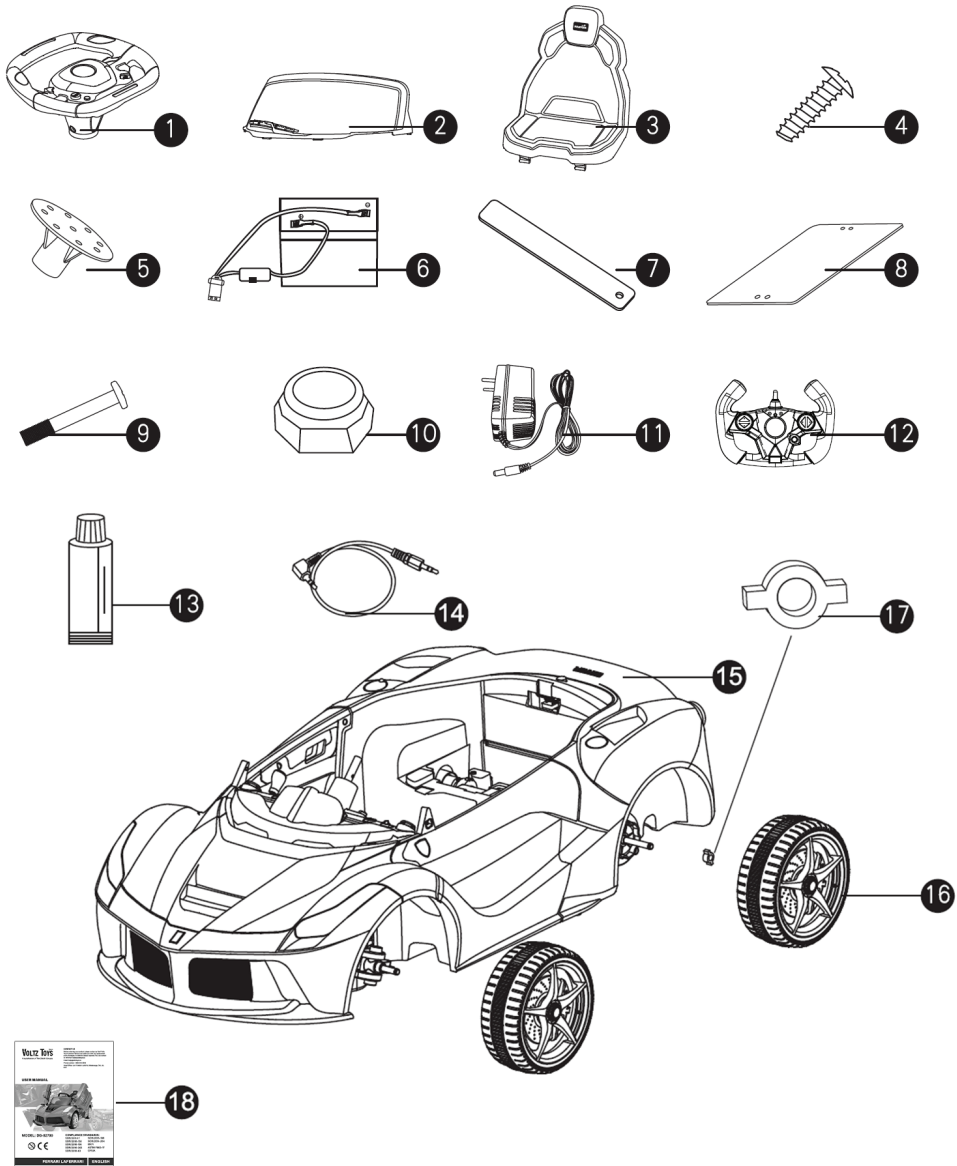


WARNING

This product is not used for transportation and only should be used under adult guidance and supervision. Parents should ensure that children have followed the safety measures before use. Children should use the toy with caution and under adult supervision. To prevent injury to users and others, basic coordination skills and awareness are required to avoid accidents, falls, or collisions.

PARTS LIST

PARTS NAME	PICTURE	QTY	PARTS NAME	PICTURE	QTY
Steering wheel	 #1	1	Windshield	 #2	1
Seat	 #3	1	Screw (backup)	 #4	2
Protector	 #5	5	Storage Battery	 #6	1
Battery locker	 #7	1	Battery cover	 #8	1
Screw pin	 #9	1	Hexnut	 #10	1
Charger	 #11	1	Remote control	 #12	1
Lubricant	 #13	1	AUX input line	 #14	1
Car body	 #15	1	Wheel	 #16	4
Wheel core (backup)	 #17	2	Manual	 #18	1



WARNING

If the quantity and shape of some spare parts in this manual are different from that of products you buy, it might be because some parts of the car you buy already have been installed or because we reduce setup steps and quantities of spare parts for making the installing easier. Please check and review.

PRODUCT SPECIFICATIONS

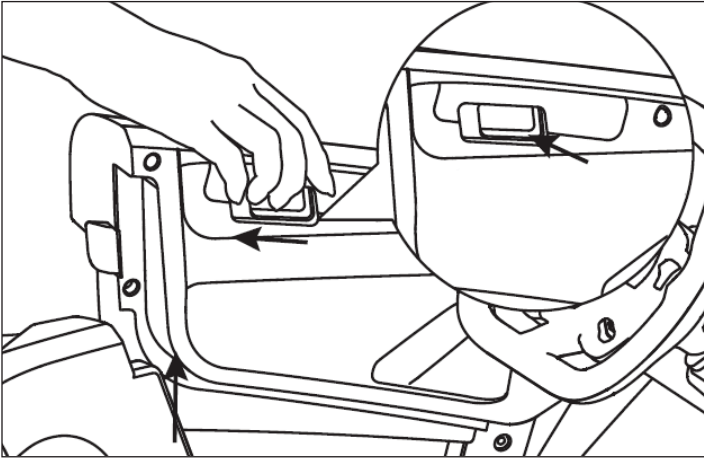
Car Model	DG-82700
Battery	12V7Ah lead-acid
Suitable age	37-96 months
Weight Limit	30 kg
Product Size	121.9 x 60.4 x 51.3 cm
Speed	D1 (2-3 km/h) D2 (3-4 km/h)
Electric motor	DC12V 25Wx2
Charging time	8-12 hours
Charger	AC 100-240V 50/60 Hz 0.3A (input) DC 15V 1000mA (output)

ASSEMBLY PREPARATION

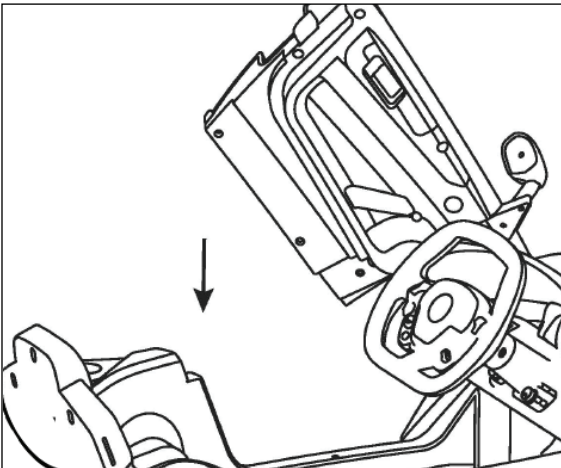
- Adults must assemble the car.
- The product contains small items that may present choking hazards. Keep children away from assembling. Children under 36 months are prohibited from using.
- Review and count all parts carefully before assembling. Properly dispose of all plastic bags and other packaging materials.

Attention: Please install the car as per the following order procedure. Otherwise, some parts can not be installed correctly.

OPENABLE SIDE DOORS

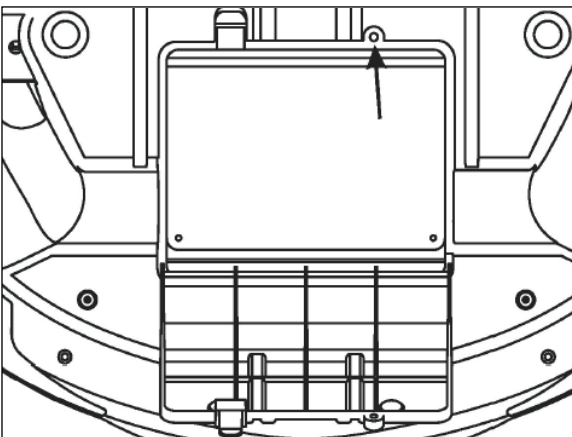


- There is a switch on the inner side of the door. Push this switch forward and pull it out to open the door.



- Gently push the door inward to close the door. When there's sound "click", the switch couldn't be pushed, and the door couldn't be opened, it means the door is closed well.

MAIN BOARD REPLACEMENT

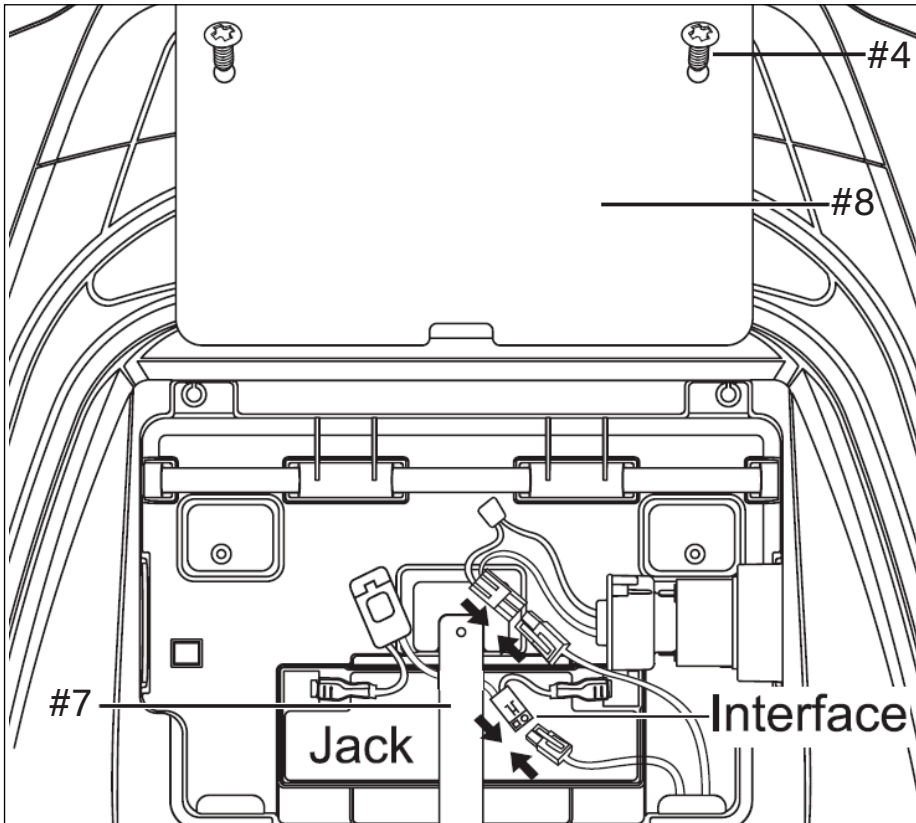


- When the main board accessories have to be replaced, please just unscrew the screws indicated in the figure, open the cover plate to see and replace the main board accessories

1. POWER CONNECTION

Parts required: #4, #7, #8

Remove the screws as shown on the diagram. Connect the cables to corresponding colour. Also connect the jack to the batter. Test the connection then place the cover back, secure it with the screws.



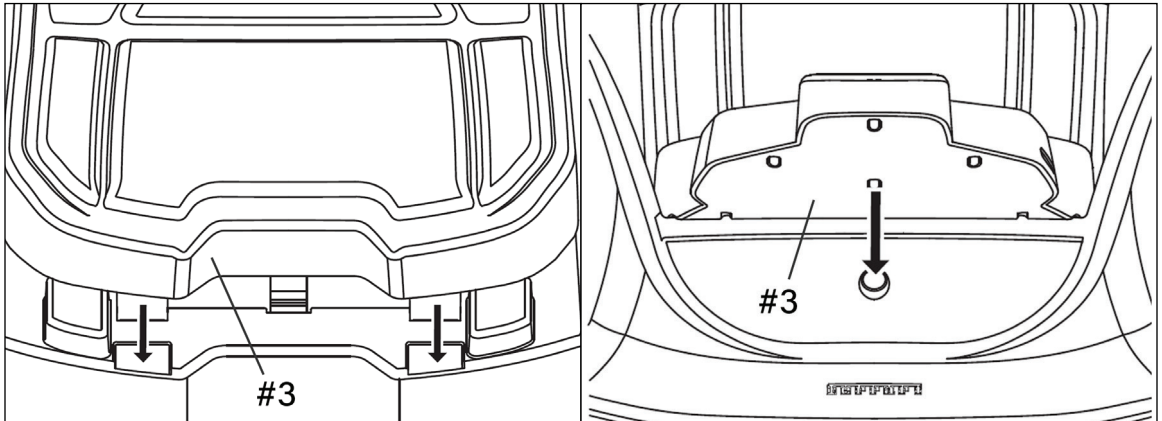
BATTERY REPLACEMENT

- Unscrew the 2 pieces of screws #4 on battery cover #8.
- Unplug the interface and jack, loosen the 2 screws #4 on battery locker #7, then the storage battery can be taken out.

2. SEAT ASSEMBLY

Parts required: #3

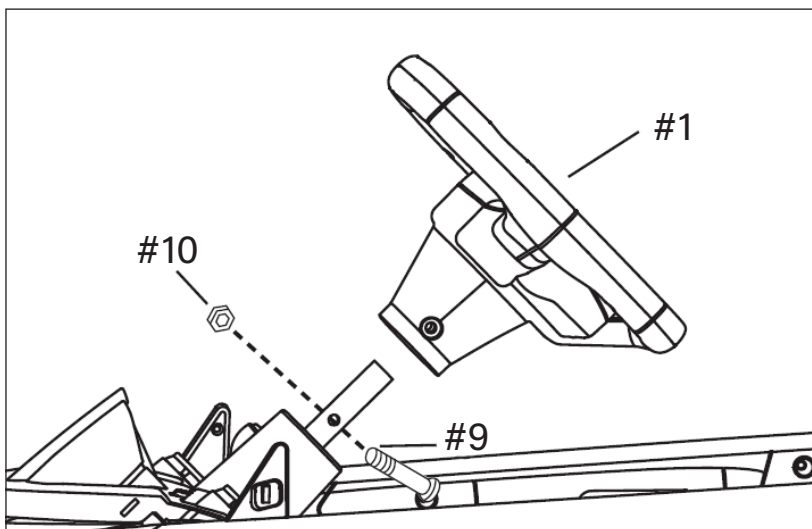
Place the seat to designated position, slide the front buckle to the opening, and press it firmly until it locks.



3. STEERING WHEEL ASSEMBLY

Parts required: #1, #9, #10

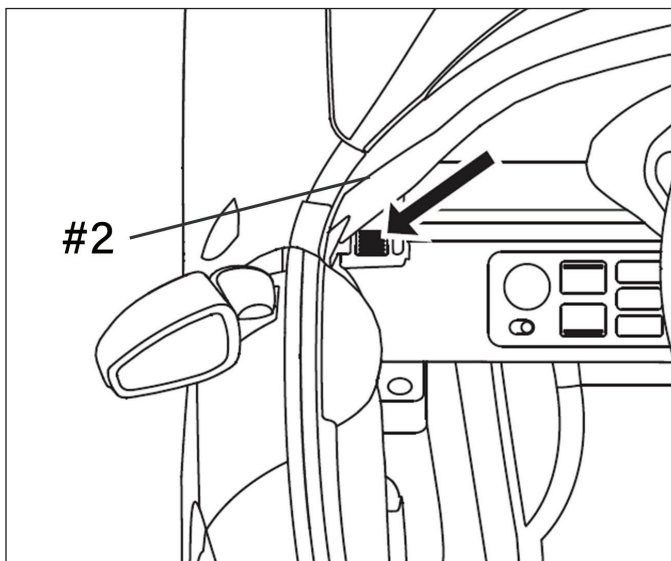
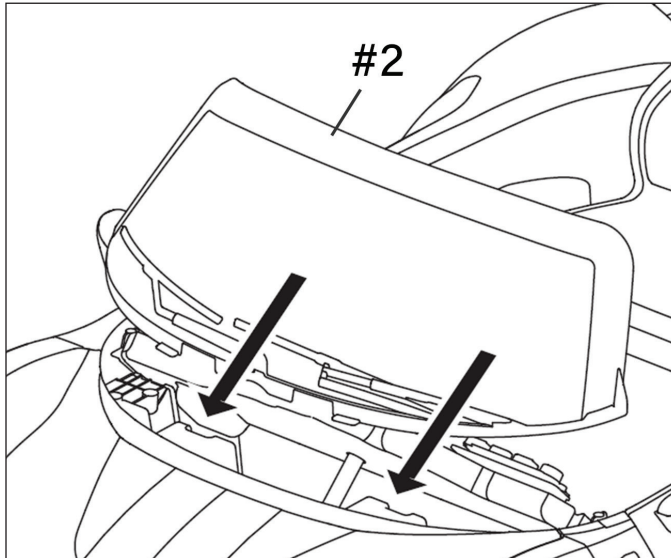
Place the windshield to designated location, align the connector with opening on the car body. Press firmly until they all click.



4. WINDSHIELD ASSEMBLY

Parts required: #2

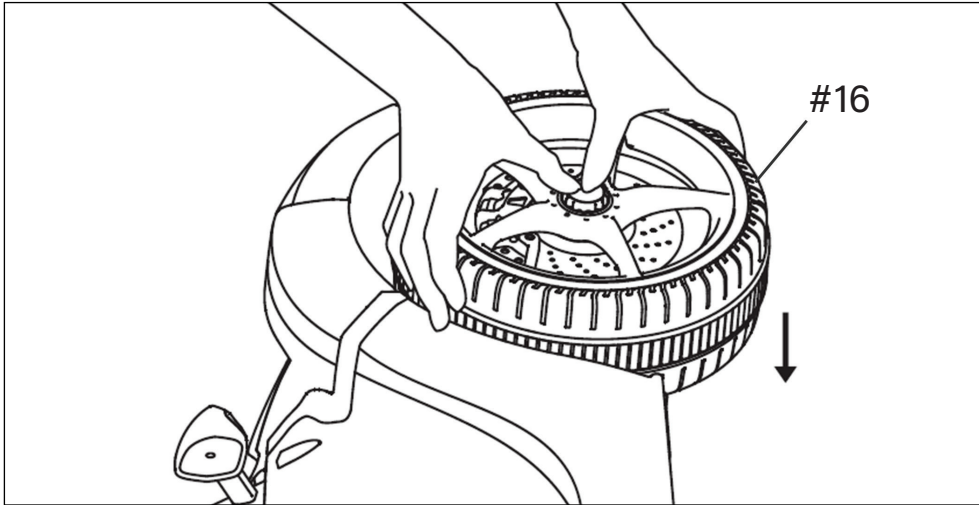
Place the windshield to designated location, align the connector with opening on the car body. Press firmly until they all click.



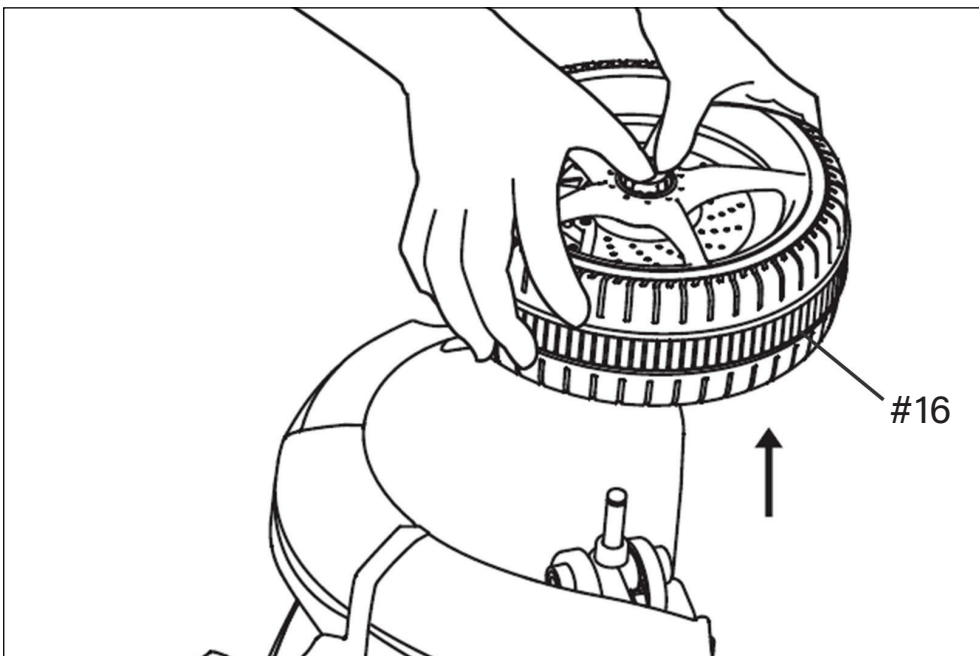
5. WHEELS ASSEMBLY

Parts required: #16

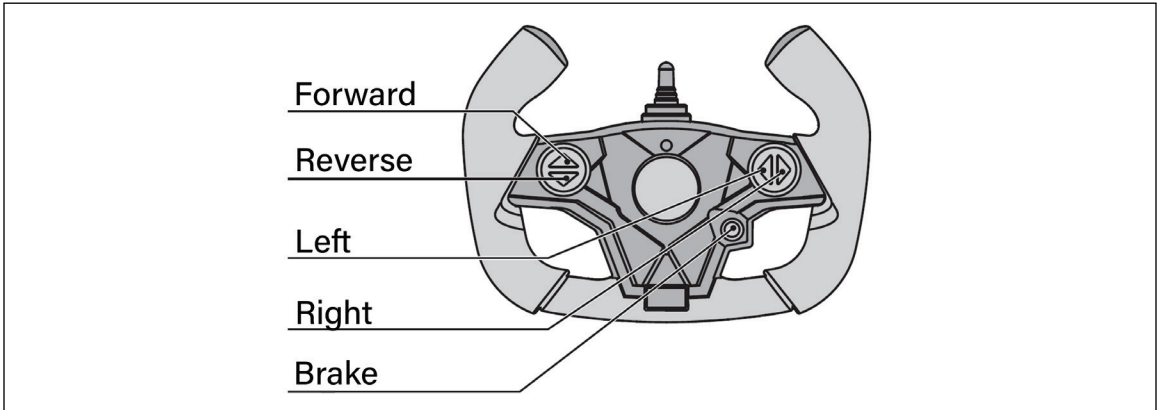
Press the button at the centre of the wheel, insert the axle into the wheel, release the button and confirm it locks. Repeat for all wheels.



Wheels removal: Press the wheel cap to disassemble the wheel.



REMOTE CONTROL INSTRUCTION



NOTE: This product does not included the AA (1.5v)

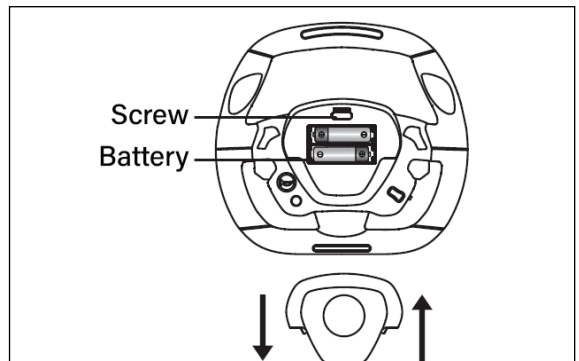
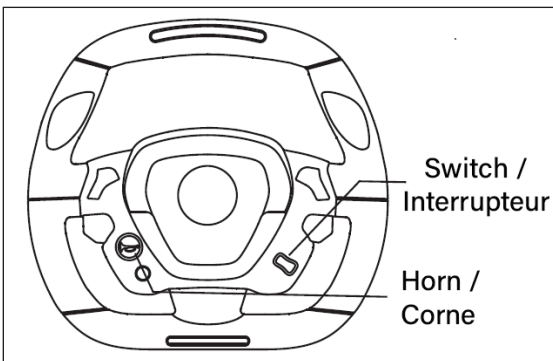
Operation manual : For the first time to use (or replace the battery) need to frequency bind.

1. To pair the remote with the vehicle, install two AA 1.5V batteries. Un-screw and push the battery cover open on the back of the remote. Please pay attention to the positive and negative polarity in the battery holder. After installing batteries, close the battery cover.

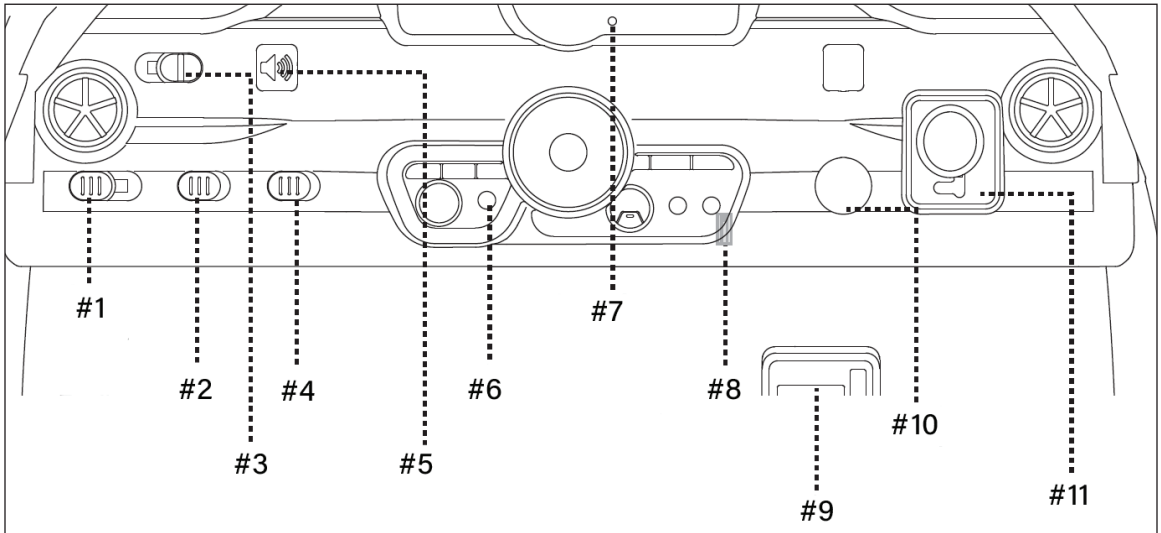
2. Install the batteries into the controller. The LED indicator on the remote control will blink and ready for pairing. Switch on the model car, the LED on the remote control will go out. This means the pairing process is completed. Then the model car can be fully controlled by the remote control.

STEERING WHEEL

- Install the two AA 1.5V batteries into the steering wheel.



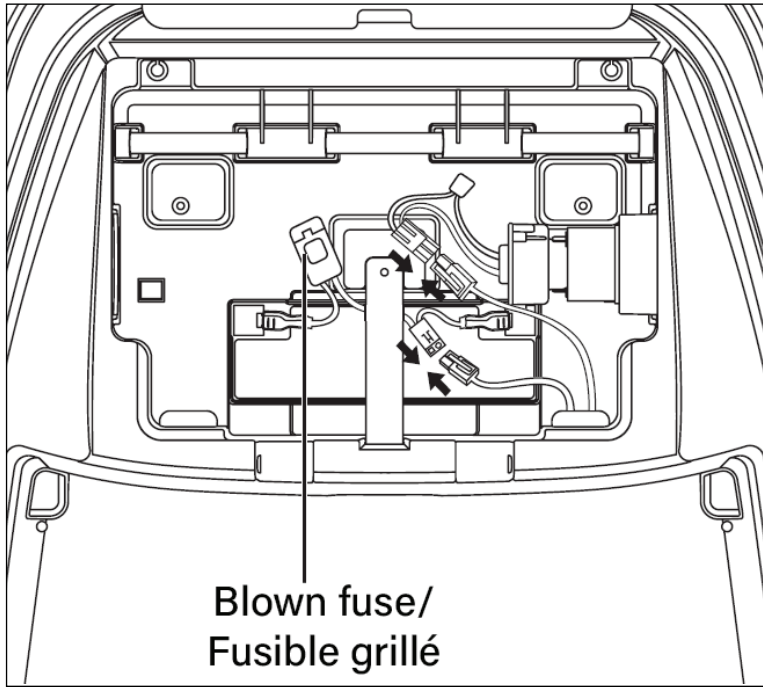
DASHBOARD



- | | |
|---|---|
| 1. Volume switch | 7. Under voltage indicator |
| 2. Radio control / Battery operated mode switch | 8. Spare switch is under the dashboard. |
| 3. Indicator | 9. Pedal |
| 4. Headlight switch | 10. Keyless start button |
| 5. Accelerator / Play built-in sound | 11. Gear shift |
| 6. AUX | |

- Press the start button to start the vehicle.
- High speed: put the gear switch in D2 gear.
- Low speed: put the gear switch in D1 gear.
- Stop: put the gear switch in R gear.
- Reverse: put the gear switch in R gear.
- Under voltage indicator: after 80% of battery capacity had been consumed, the indicator will be light. If continued to use, the power will be shut off automatically. If indicate light is on, which means the battery is under low voltage, the car will not work until fully charge.
- The pedal, gear shift will be incatived when you swith to remote control mode. For the safety, the remote control is equipped with low speed start function.

OVERCURRENT PROTECTOR



- The over-current protector is installed under the hood, which can be seen when the hood and the cover plate are open.
- The main board is equipped with an automatic recovery fuse. When the motor is blocked due to overload or improper use, the fuse will automatically disconnect the power unit and turn off the start switch. After 30 seconds then, the fuse will automatically recover.
- The power terminal is equipped with a fusing fuse. When it's short-circuited, the fuse will fuse. Please replace the spare fuse after the circuit fault is removed.

FUSE

This car is equipped with an auto-reset fuse. If the car stops suddenly while driving, it is caused by the instantaneous current exceeding, enabling the fuse to trip. This will result in the car disabling for about 8 seconds, and this fuse can be reset.

To avoid tripping the fuse:

- Do not exceed the maximum load capacity; the maximum load is 30kg.
- Do not drag any objects behind the product.
- Do not expose water or other liquids to the battery and other electrical components.
- Do not change and/or modify the circuit system and the structure of the product.

SECURITY WARNING

1. The assembly and charging routine of the vehicle must be under adult supervision at all times.
2. This product is recommended for children ages 37-96 months. Do not exceed the maximum weight limit of 30kg.
3. This product is ideal for driving on hard flat surfaces (e.g, concrete, gravel, asphalt, etc).
4. It is strictly prohibited to drive on the street, roads, potholes, and slopes.
5. Avoid driving in sand, grass, uneven ground, or other terrains that may damage the vehicle.
6. Children should be given full instructions and how to operate the car. Improper use can cause damages or accidents.
7. Parents are responsible to supervise at all times to avoid accidents while children are driving.
8. Avoid driving in the rain or flooded pathways. Exposure to water can damage the motor, circuit, and other electrical equipment.
9. Parents should inspect the battery charger to ensure it is in good working condition. Any damages or abnormalities regarding wires, plugs, or other components are prohibited to continue using. Do not use it until parts are completely repaired.

10. To maintain product life and safety, avoid damaging the charger, battery, or electrical circuit. The car must use the default configuration of the dedicated charger and power supply.
11. Rechargeable batteries should be removed from the toy before charging.
12. When inactive, disconnect the car's power by unplugging the (red) battery wire, ensuring all switches are in the "STOP" or "OFF" position.
13. The charger is not a toy. Please keep away from children.
14. Using non-manufacturer or third-party parts is strictly prohibited.
15. This product is mainly composed of PP material. The expected product-usage life is two years.

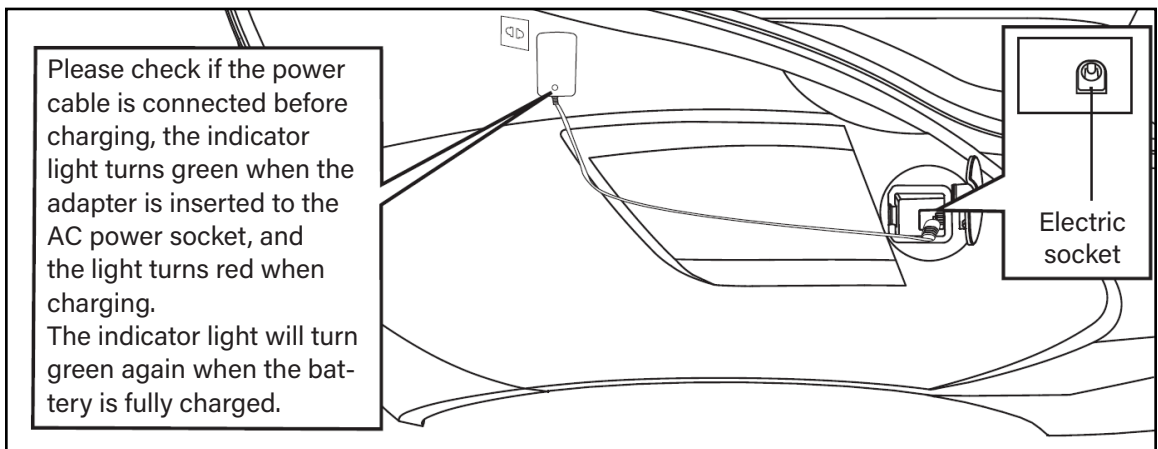
USAGE DIRECTION

Before using the car, review the following procedures to ensure functionality:

1. All steps are followed per the instructions to complete the car's assembly. Specifically, the battery wire is connected correctly, and the power supply has been switched on to confirm functionality.
2. Make sure all parts requiring hardware are fixed tightly and correctly.
3. Adults must ensure children have taken safety measures before use.
4. To reduce accidents while using, the child must be seated at all times.
5. Follow the product's recommended seating capacity. Please do not exceed the maximum number of users to ride.
6. Adults must always supervise their children while the car is in use.
7. Adults are responsible for the care and guidance of their child while the car is in use, ensuring the child is not left unattended.
8. Pay attention to the driving environment and surfaces. Ensure the car is not driven in an unsafe environment.
9. Pay attention to the road, trenches, riverside, slopes, or uneven ground.
10. Not to be used on public roads or near ongoing traffic.
11. The car should only be used in daytime and under light for visibility. Do not use the car at night or under low visibility.
12. To avoid unexpected obstacles or events, adults must supervise at all times.

CHARGING PROCEDURES

- For safety purposes, charging must be done by adults.
- The charging port is located under the filler cap. Follow the instructions to charge the battery.
- If the car is starting to slow down, this indicates the battery is low. Re-charge for 8-12 hours, maximum 20 hours. Do not overcharge or under-charge.



1. First, insert the charger into the charging port.
2. Carefully insert the charger outlet into the power outlet. Please note the car will not turn on when the car is connected.

STORAGE BATTERY MAINTENANCE

- Please charge the battery before using it for the first time.
- Please use the suitable adapter to charge storage battery, otherwise the ride-on will be damaged.
- Please charge the car once the speed is slower than normal, otherwise it will decrease storage battery life.
- Please fully charge the battery before you put your ride-on away and remember to recharge the battery every 30 days. This will ensure the normal use of the battery, otherwise, the battery can not be charged.

BATTERY REPLACEMENT

To avoid losing power , follow these guidelines:

- Do not overload the vehicle.
- Do not tow anything behind the vehicle.
- Do not drive up steep slopes.
- Do not drive into fixed objects, which may cause the wheels to spin, causing the motor to overheat.
- Do not drive in very hot weather, components may overheat.
- Do not allow water or other liquid to come in contact with the battery or other electric components.
- Do not tamper with the electric system. Doing so may create a short , causing the fuse to trip.

WARNING

1. The assembly of the car must be done by an adult. When unassembled, it contains potentially hazardous parts that are sharp or small. Please keep out of children's reach.
2. Choking hazards of small parts.
3. Not for children under 36 months. Recommended for 37-96 months.
4. Always wear shoes or footwear when using the toy.
5. RISK OF FIRE. Do not bypass. Replace only with circuit protection devices.
6. Protective equipment should be worn.

ATTENTION

- Dedicated charger and battery can only be used under manufacturer's regulations.
- Do not mix old, new or different types of batteries.
- The battery terminal should not be short circuit.
- Do not open the battery or charger.
- Do not reverse the battery.

- Before charging, please inspect the charger, battery, and plug to ensure no damages or abnormalities are found. If any damages are found, discontinue usage of the car until the parts are replaced or resolved.
- The battery may feel warm while being charged - this is normal. If the temperature from the charger does not elevate, it may be caused by a short circuit from the charger or circuit board.
- Must use the pressing plate to fix the battery.
- When the battery is no longer functional, adults are responsible for removing and safely disposing of the battery in a battery-safe disposition facility.
- When the product is inactive (at least one month), it must be fully charged. Unplug the (red) battery wire, and charge it at least once a month to ensure battery functionality and life.
- The charger and battery are not toys. Keep away from children.

MAINTENANCE AND SERVICE

1. Before using, adults are responsible for reviewing the product and essential parts are in a functional condition. Check whether screws are loose or other potential hazards. Any damaged or defective parts must be repaired or resolved before using.
2. Use a small amount of oil-based lubricant to moving parts to prevent rust or wear or tear (e.g. motors, gears, hardware, etc.).
3. Keep the car away from fire and direct sunlight. Store the car in a stable position and must be kept safely away from extreme temperatures or climate.
4. The car must be kept away from hot objects, such as stoves and heaters. Direct exposure to hot objects will melt the plastic. The car must be kept away from flammable materials to prevent ignition or fire when charging.
5. After using the car, charge the car adequately and must be done by an adult. If the product is inactive, it must be fully charged. Charge at least once a month to ensure battery functionality and life.

6. Use a soft cloth to clean the car. Do not use chemical solvents, soap, or water to clean the vehicle. Do not drive under precipitation (e.g. snow, rain, etc.) as this will damage the motor, battery and circuit system.
7. When inactive or discontinued, shut off all power by disconnecting the (red) battery wire, and all switches are in the "STOP" or "OFF" position.
8. Do not use third-party or different fuses.
9. Do not modify the product structure or circuit system. Maintenance and repair work must be done under the guidance of a professional or technician.
10. Do not use the product for other purposes.
11. Battery negative short circuit is prohibited.
12. Rechargeable batteries must be charged under adults' supervision.
Non-rechargeable batteries can not be charged. Ensure the batteries are installed in the correct polarity.
13. Do not mix old and new batteries, including different types of batteries.
14. Low batteries should be removed from the car and kept away from children.
15. Disconnect the batteries when completely inactive or discontinued. Do not let children use the car in this state.

TROUBLESHOOTING

<p>The car does not move or power on</p>	<ul style="list-style-type: none"> <input type="checkbox"/> The power switch is in the “OFF” position. <input type="checkbox"/> The fuse is not functioning properly. <input type="checkbox"/> The battery (red) wire is not connected properly, check the battery terminals, and the battery wire. <input type="checkbox"/> If the charger is plugged in, the car will not turn on. Unplug the charger first before turning on the car. <input type="checkbox"/> Check the pedal switch if it is disconnected or defective. <p>The wheels are stuck and cannot move; check the wheels and motors if functioning properly.</p>
<p>The car is moving slowly</p>	<ul style="list-style-type: none"> <input type="checkbox"/> If the battery is not fully charged, it will not run properly. Charge the car adequately for 8-12 hours. <input type="checkbox"/> Check the wheels and motors. Inspect the gears on the wheels, and motors if they are functioning properly. If damaged, the car will not run accordingly. <input type="checkbox"/> The car has a maximum weight capacity. If the user weight exceeds the recommended weight, the car will not run at full speed.
<p>The battery does hold a charge</p>	<ul style="list-style-type: none"> <input type="checkbox"/> If the charger is defective. The charger must be showing a red or green light depending on the status of the battery. If the light is not showing, changing from red to green, or staying one color, the charger may be defective. <input type="checkbox"/> The battery life has deteriorated. Please use a voltmeter to verify the voltage post-charge. If it falls below the standard voltage amount, please replace the battery. <input type="checkbox"/> If the charging port between the charger and battery is defective. The charging port provides electricity output between the charger and battery. If the charging port is defective, then the battery can not charge.

Produced under license of Ferrari S.p.A. The name FERRARI, the PRANCING HORSE device, all associated logos and distinctive designs are property of Ferrari S.p.A. The body designs of the Ferrari cars are protected as Ferrari S.p.A. property under design, trademark and trade dress regulations.

Licensee: RASTAR (HK) INDUSTRIAL COMPANY LIMITED

Manufacturer:FUJIAN XINGHUI BABY SUPPLIES CO.LTD.

Add:North Area, Zhaoan Industrial Park, Zhangzhou, Fujian, China

Http://www.rastar.com

08.06.827000.001460