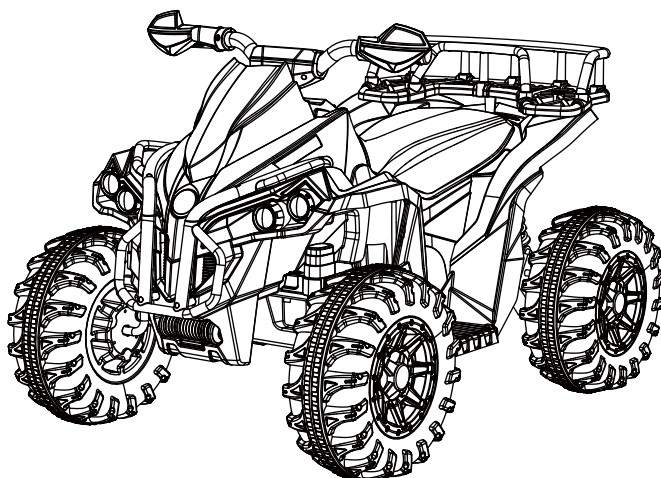


# CHILDREN'S ELECTRONIC TOY ATV



## WARNING

Must be assembled by an adult.



- Suitable for 3+ Years
- Maximum user weight: 30 kg

## OWNERS MANUAL

with Assembly Instructions

Read and understand this entire manual before using!  
Please keep this manual for future reference as it contains important information.  
Before first time use, charge the battery for at least 8-12 hours.

On the purchase of your new Ride-On.

This ride-on car will provide your child with many miles of riding of enjoyment.

To help assure

you and your rider a safe ride we ask you to please read this manual carefully, and keep it for future reference.

Follow the recommendations in this manual, they are designed to improve the safety and operation of your ride-on car and its rider.

## Specification

	2WD	2WD	2WD	2WD	4WD
Battery	12V4.5AH*1	12V4.5AH*2	12V7AH*1	12V7AH*1	12V7AH*1
Charger	12V 100mA	24V500mA	12V1000mA	12V1000mA	12V1000mA
input	Depend on local voltage				
Motor	390-16000	550-12000	390-16000	550-10000	390-16000

**Suitable age:** 3+ Years

**Charge time:** 8~12 hours

**Load capacity:** Under 30 kg

**Size of car:** 98X63X62CM

**Speed:** 3-7 km/h



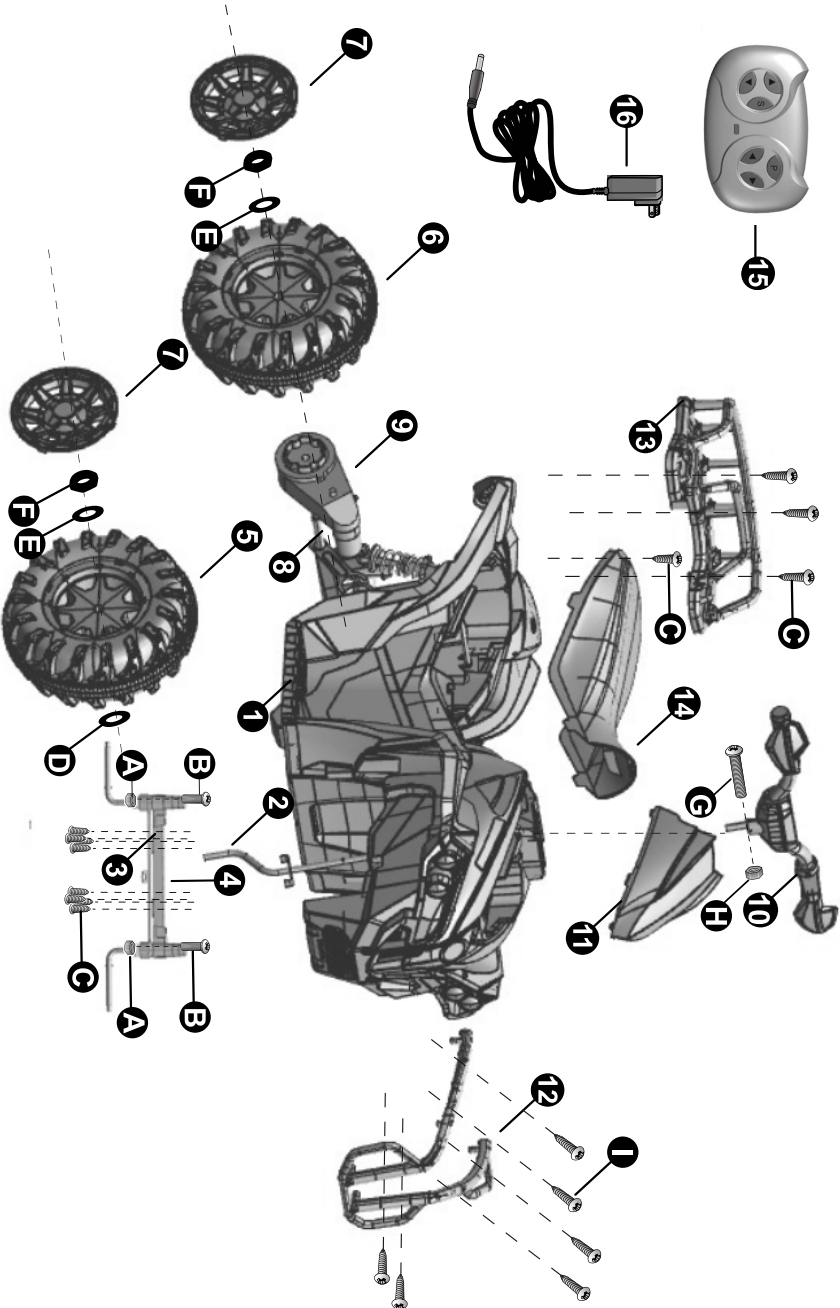
## BATTERY INFORMATION

- Non-rechargeable batteries are not to be recharged.
- Rechargeable batteries are to be removed from the toy before being charged.
- Rechargeable batteries are only to be charged under adult supervision.
- Different types of batteries or new and used batteries are not to be mixed.
- Batteries are to be inserted with the correct polarity.
- Exhausted batteries are to be removed from the toy.
- The supply terminals are not to be short-circuited.

# Parts List

B

NO.	PART NAME	Q'TY (PCS)		REMARK
		2WD	4WD	
1	Vehicle body	1	1	
2	Steering shaft	1	1	
3	Metal plate	1	1	
4	Steering bracket	1	1	
5	Normal wheel	2	\	
6	Drivng wheel	2	4	
7	Wheel cover	4	4	
8	Rear axle	1	1	
9	Motor	2	4	
10	Handle bar	1	1	
11	Windscreen	1	1	
12	Roll cage	1	1	
13	Luggage carrier	1	1	
14	Seat	1	1	
15	Remote controller	1	1	
16	Charger	1	1	
A	Ø5 Lock nut	2	2	
B	M5x12 machine screw	2	2	
C	M4x12 screw	12	12	
D	Ø12 washer	2	\	
E	Ø10 washer	4	4	
F	Ø10 Lock nut	4	4	
G	M5X33 machine screw	1	1	
H	Ø5 nut	1	1	
I	M4x10 screw	6	6	



**HINT:** Some parts shown are assembled on both sides of vehicle





PREVENT INJURIES AND DEATHS:

• NEVER LEAVE CHILD UNATTENDED. ADULT DIRECT SUPERVISION IS REQUIRED.

Always keep child in view when child is in vehicle.

- This toy should be used with caution since skill is required to avoid falls or collisions causing injury to the user or third parties.
- Protective equipment should be worn.
- Never use in roadways, near cars, or on near steep inclines or steps, swimming pools or other bodies of water.
- Always wear shoes, always sit on the seat.
- Not to be used in traffic.
- This toy is unsuitable for children under 36 months due to its maximum speed; Maximum user weight is 30 kgs.
- This toy has no brake.



## WARNING:

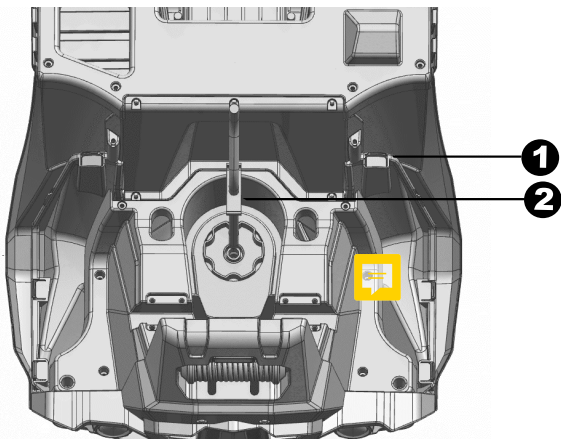
- **CHOKING HAZARD!** Not suitable for children under 36 months.
- **Must be assembled by an adult.**

### Rules for Safe Riding

- Keep Children within Safe Riding Areas:
  - Never use in roadway, near motor vehicles, on lawn space, on or near steep inclines or steps, swimming pools or other bodies of water;
- Use the toy only on flat surfaces. Such as inside your house, garden or playground.
- Never use in the dark. A child could encounter unexpected obstacles and have an accident. Operate the vehicle only in the daytime or a well-lit area.
- It is prohibited to change the circuit or add other electric parts
- Inspect wires and connections of the vehicle periodically.
- Do not let any child touch the wheels or be near them when the car is moving .

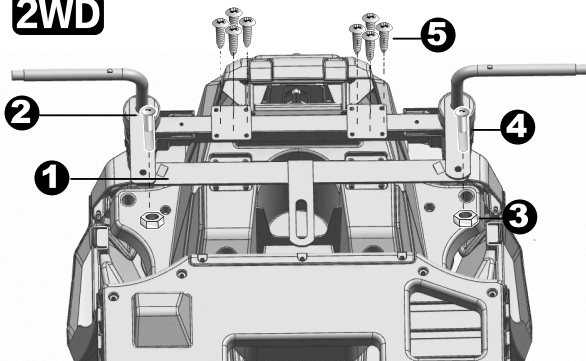
# E

## Install steering shaft and bracket



1-2. Turn the body over and insert the steering rod into the body

### 2WD

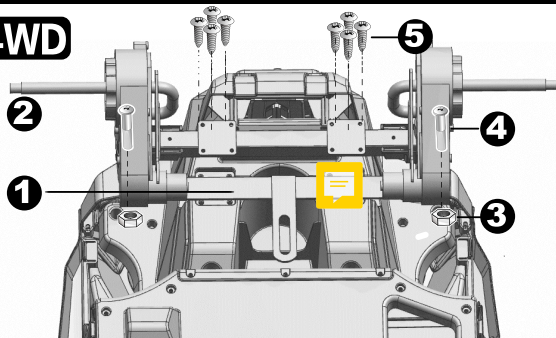


1-2. Place the iron plate on the steering bracket.

3-4. Assemble the steering bracket with M5x12 machine screw and Ø5 Lock nut.

5. place the bracket  the body and fix it with M4x12 screw.

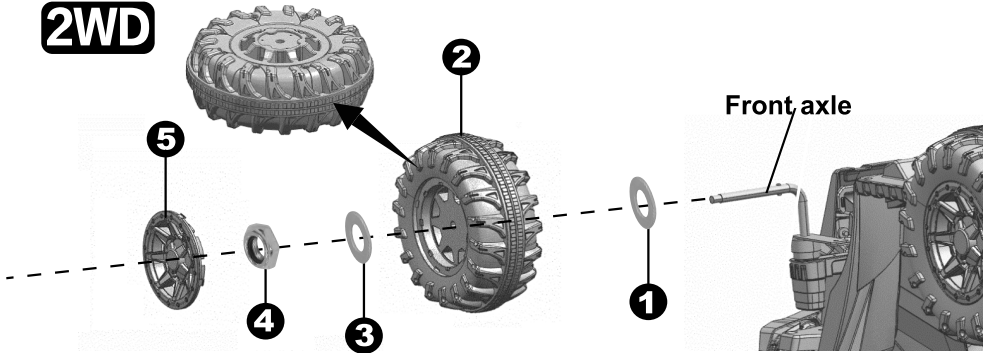
### 4WD




## Attach the Front Wheels

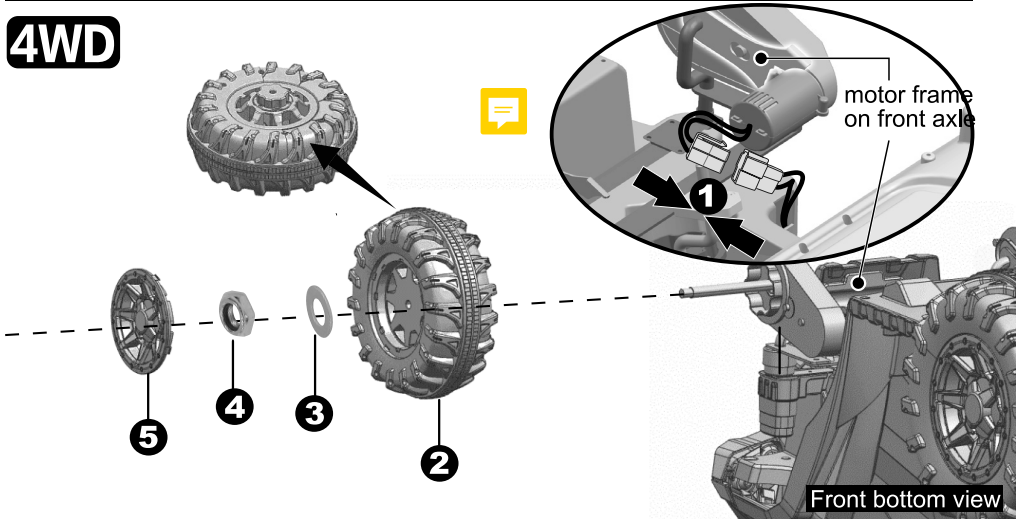
E

**2WD**



1. Slide a  $\Phi 12$  washer onto the front axle.
2. Slide a wheel onto the front axle.
3. Slide a  $\Phi 10$  washer onto the front axle. 
4. Tighten a lock nut to the end of the front axle with a spanner. DO NOT over tighten.
5. Put the wheel cover over the wheel.

**4WD**

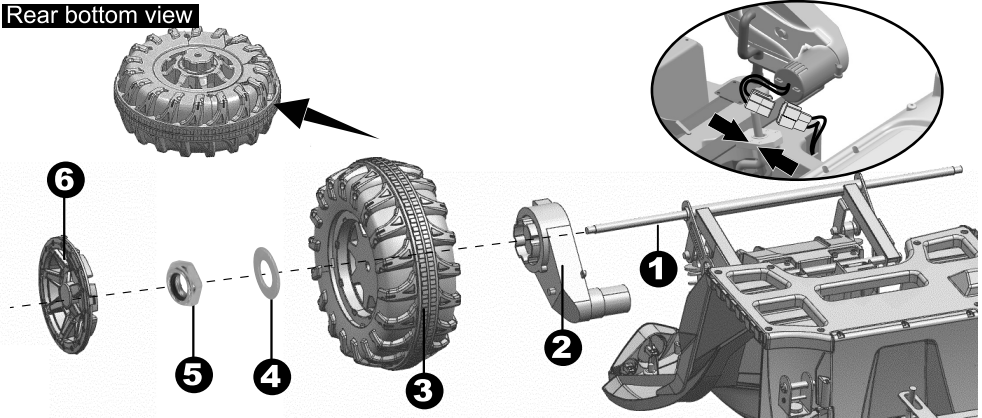


1. Plug the connector on the motor in the connector on the vehicle body.
2. Slide a driving wheel onto the front axle. Make sure the gear on the driving wheel match up with the gear box on the front axle.
3. Slide a  $\Phi 10$  washer onto the front axle.
4. Tighten a lock nut to the end of the front axle with a spanner. DO NOT over tighten.
5. Insert the tabs on the wheel cover into the slots on the wheel. Repeat for the other front driving wheel.

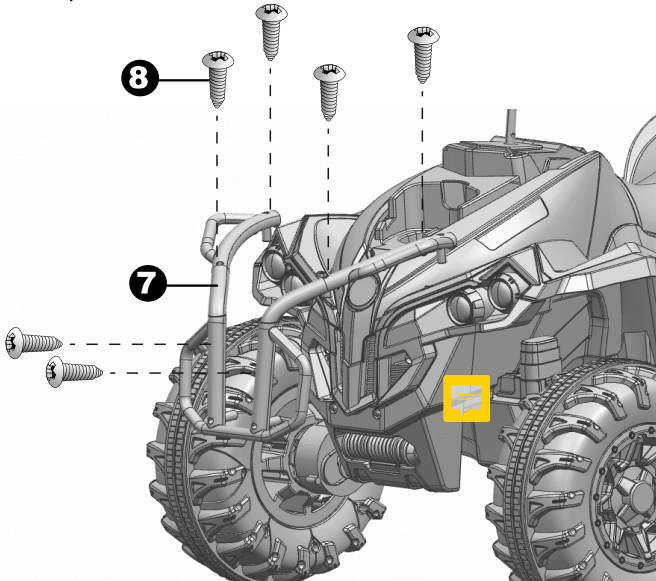
# E

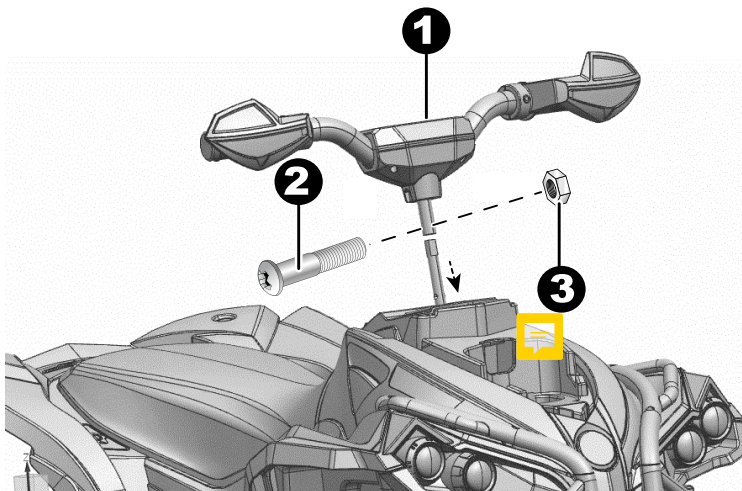
## Install rear wheels and anti-roll racks

Rear bottom view

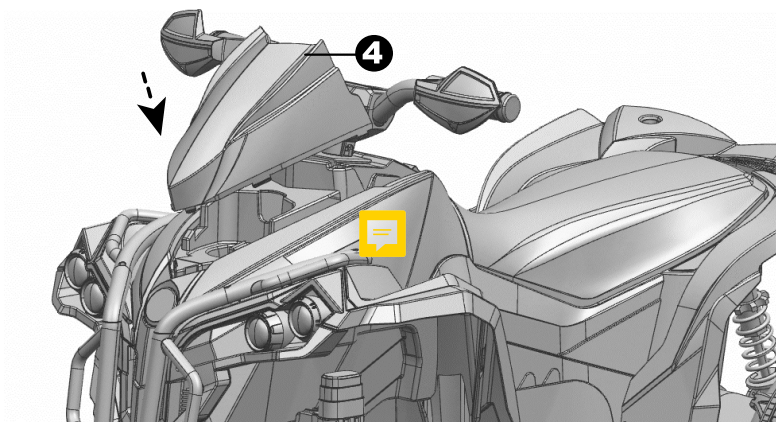


1. Insert the rear axle into the body.
  2. Insert the drive motor into the rear axle, Plug the connector on the motor in the connector on the vehicle body.
  3. Slide a wheel onto the rear axle. Ensure the wheel match up with the gear box.
  4. Slide another  $\Phi 10$  washer onto the rear axle.
  5. Tighten a lock nut to the end of the rear axle with a spanner.
- Repeat the above procedure to assemble the other rear wheel to the rear axle.
6. Insert the tabs on the wheel cover into the grooves on the wheel.
  7. Install the roll guard on the body.
  8. Secure the roll proof rack with M4x10 screw





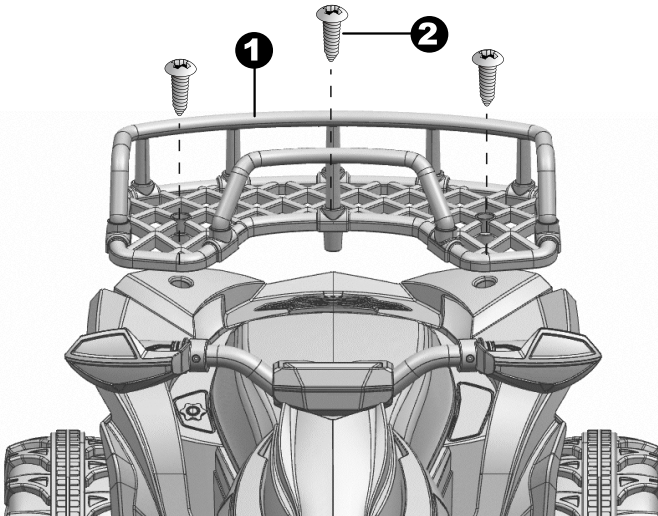
1. Fit the steering wheel to the end of the steering column.
- 2-3. Line up the holes on the steering wheel with the holes on the steering column, insert the M5x33 machine screw. Fasten a nut on the opposite end of the screw. Using a long nose pliers to hold the nut while tightening the screw on the other side with a screwdriver.
4. Attach the windshield to the body of the car.





## Attach the Rear Luggage Carrier

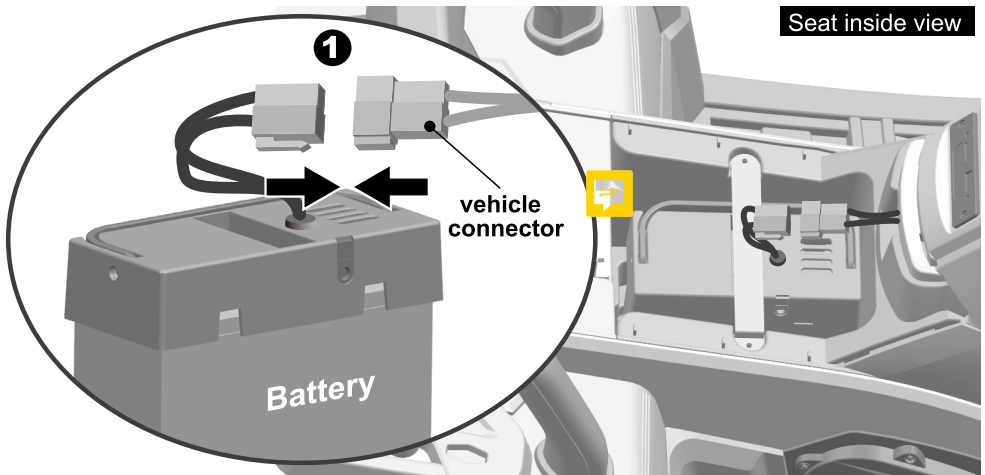
E



1. Fit the rear luggage carrier assembly over the rear of vehicle body.
2. Insert three M4x12 screws through the luggage carrier and into the vehicle body, tighten with a screwdriver.

E

## Connect the Power Supply & Attach the Seat



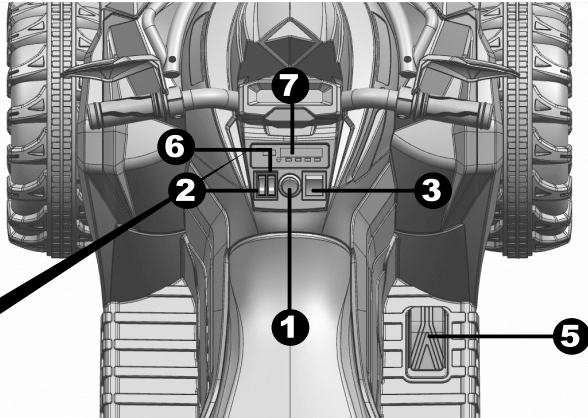
1. Open the seat.
2. Plug the battery connector into the red vehicle connector as shown.
3. Fit the tabs on seat into the grooves on the vehicle.
4. Tighten a M4X10 screw to secure the seat to the vehicle body.



## IMPORTANT!

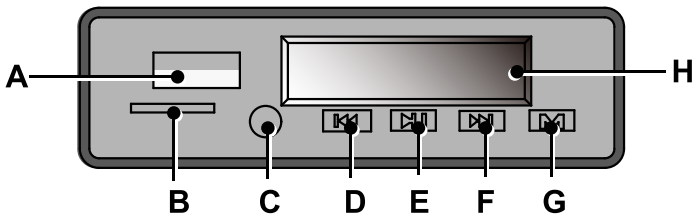
Always stop vehicle when changing the speed or direction to avoid damage the gears and motor.

### WITH H/L, 4WD

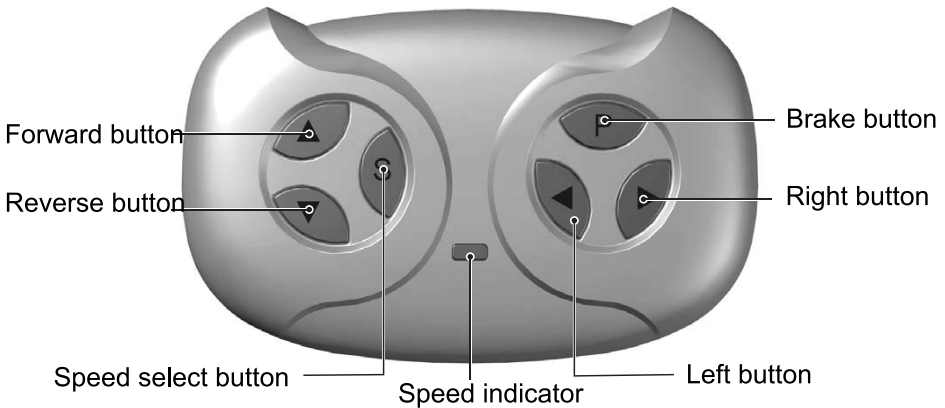


1. **Power button:** Turn the power on and off.
2. **Forward-reverse switch:** Changes the direction that vehicle moves from forward to reverse.
  - To move the vehicle forward, shift the lever to top position.
  - To move the vehicle reverse, shift the lever to down position

HINT: The vehicle is designed to operate in low speed only in reverse.
3. **High-low speed switch:** Changes the vehicle moves in high speed and low speed in forward
4. **2W/4W switch (if equipped):** Operates the vehicle to 2WD mode and 4WD mode.
5. **Foot pedal:**
  - To move the vehicle, press the pedal down.
  - To brake or slow down, release pressure from the pedal.
6. **Lights switch:** Turn the front lights on and off.
7. **Mp3 player:**



- A. USB slot
- B. TF card slot (Read mp3 format only)
- C. AUX input
- D. Previous /decrease volume
- E. Play / Pause
- F. Next / Increase volume
- G. Change the audio input.
- H. **Display screen:** It displays the power level of the battery when the vehicle stops. When the numerical value is less than 12, recharge the battery please.



## Attach the batteries of controller

Lift the battery compartment door on the back of the controller and insert two AAA(LR03) batteries.

**HINT: Batteries not included. Refer to the Battery Information on the page 1.**

### 1. Build connection

Long press the forward and reverse buttons for 3 seconds, and the speed indicator flashes. Then power on the vehicle, the speed indicator goes to long bright, means the connection successful. If the speed indicator no response, means the connection failed. Replace the batteries and retry.

### 2. Brake button

Press the button to stop the vehicle, press it again to release the brake.

### 3. Speed select button

The switch operates the vehicle to move in low, normal or high speed.

**HINT: This switch won't work while your vehicle moves reverse.**

## NOTE:

- Leave the remote controller idling for about 10 seconds, it will shut down automatically.
- Rebuild connection when you replace the batteries of the remote controller.



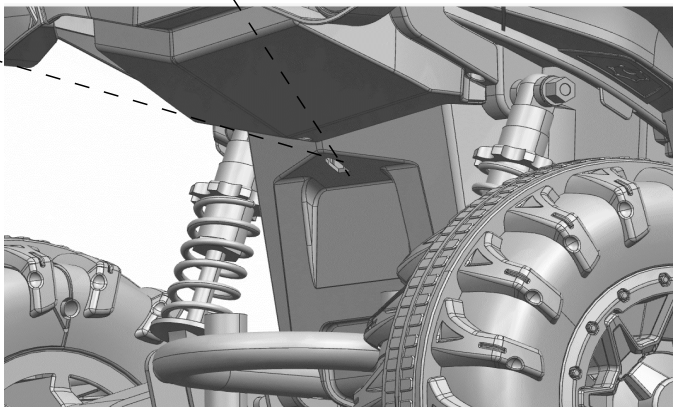
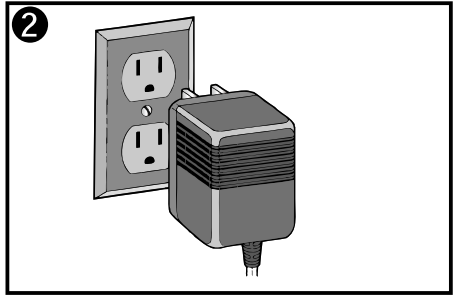
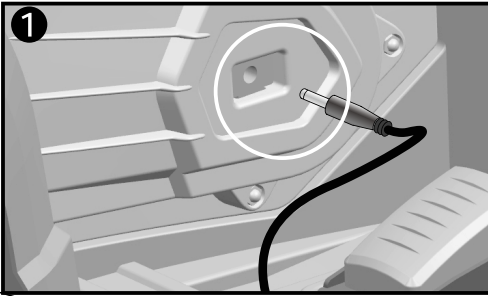
**WARNING!**

**ONLY AN ADULT CAN CHARGE AND RECHARGE THE BATTERY!**

**WARNING!**

This product with **Charging Protection**: when charging, all functions will be cut off! Only an adult can charge and recharge the battery!

- The POWER SWITCH must be turned in **OFF** position when charging.
- Before the first use, you should charge the battery for 8-12 hours. Do not recharge the battery for more than 12 hours to avoid overheating the charger.
- When the vehicle begins to run slowly, recharge the battery.



1. Plug the charger port into the input socket.
2. Plug the charger plug into a wall outlet. The battery will begin charging.

Problem	Possible Cause	Solution
Vehicle does not run	Battery low on power	Recharge battery.
	Thermal fuse has tripped	Reset fuse, see <Fuse>
	Battery connector or wires are loose	Check that the battery connectors are firmly plugged into each other. If wires are loose around the motor <b>contact your distributor please.</b>
	Battery is dead	Replace battery, <b>contact your distributor please.</b>
	Electrical system is damaged	<b>Contact your distributor please.</b>
	Motor is damaged	<b>Contact your distributor please.</b>
Vehicle does not run very long	Battery is under charged	Check that the battery connectors are firmly plugged into each other when recharging
	Battery is old	Replace battery, <b>contact your distributor please.</b>
Vehicle runs sluggishly	Battery low on power	Recharge battery, <b>contact your distributor please.</b>
	Battery is old	Replace battery, <b>contact your distributor please.</b>
	Vehicle is overload	Reduce weight on vehicle. Maximum user weight is 30 kg.
	Vehicle is being used in harsh conditions	Avoid using vehicle in harsh conditions ,see <Safety>.
Vehicle needs a push to go forward	Poor contact of wires or Connectors	Check that the battery connectors are firmly plugged into each other. If wires are loose around the motor, <b>contact your distributor please.</b>
	“Dead Spot” on motor	A dead spot means the electric power is not being delivered to the terminal connection and the vehicle needs repair. <b>Contact your distributor please.</b>
Difficult shifting from forward to reverse or vice-versa	Attempting to shift while the vehicle is motion	Completely stop the vehicle and shift, see <Use Your New Vehicle>
Loud grinding or clicking noises coming from motor or gear box	Motor or gears are damaged	<b>Contact your distributor please.</b>
Battery will not recharge	Battery connector or adapter connector is loose	Check that the battery connectors are firmly plugged into each other.
	Charger not plugged in	Check that the battery charger is plugged into a working wall outlet.
	Charger is not working	<b>Contact your distributor please.</b>
Charger feels warm when recharging	This is normal and not a cause for concern	

Completely read through this manual and the troubleshooting guide table before calling. If you still need help resolving the problem **Contact your distributor please.**

## Maintaining

- It is parents' responsibility to check main parts of the toy before using, must regularly examine for potential hazard, such as the battery, charge, cable or cord, plug, screws are fastening enclosure of other parts and that in the event of such damage, the toy must not be used until that damage had been properly removed.
- Make sure the plastic parts of the vehicle are not cracked or broken.
- Occasionally use a lightweight oil to lubricate moving parts such as wheels.
- Park the vehicle indoors or cover it with a tarp to protect it from wet weather.
- Keep the vehicle away from sources of heat, such as stoves and heaters. Plastic parts may melt.
- Recharge the battery after each use. Only an adult can handle the battery. Recharge the battery at least once a month when the vehicle Raider is not being used.
- Do not wash the vehicle with a hose. Do not wash the vehicle with soap and water. Do not drive the vehicle in rainy or snowy weather. Water will damage the motor, electric system and battery.
- Clean the vehicle with a soft, dry cloth. To restore shine to plastic parts, use a non-wax furniture polish. Do not use car wax. Do not use abrasive cleaners.
- Do not drive the vehicle in loose dirt, sand or fine gravel which could damage the moving parts, motors or the electric system.
- When not using, all the electrical source should be turn off. Turn off the power switch and disconnect the battery connection.

The battery features a thermal fuse with a reset fuse that will automatically trip and cut all power to the vehicle if the motor, electric system or battery is overloaded. The fuse will reset and power will be restored after the unit is turned OFF for 20 seconds and then turned ON again. If the thermal fuse trips repeatedly during normal use, the vehicle may need repair. **Contact your distributor please.**

To avoid losing power, follow these guidelines:

- Do not overload the vehicle.
- Do not tow anything behind the vehicle.
- Do not drive up steep slopes.
- Do not drive into fixed objects, which may cause the wheels to spin, causing the motor to overheat.
- Do not drive in very hot weather, components may overheat.
- Do not allow water or other liquids to come in contact with the battery or other electric components.
- Do not tamper with the electric system. Doing so may create a short, causing the fuse to trip.

## Disposal Of Battery



- Your sealed lead-acid battery must be recycled or disposed of in an environmentally sound manner.
- Do not dispose of your lead-acid battery in a fire. The battery may explode or leak.
- Do not dispose of a lead-acid battery in your regular, household trash. The incineration, land filling or mixing of sealed lead-acid batteries with household trash is prohibited by law.

Our products are suitable for ASTM F963; GB6675; EN71 and EN62115 standard.



