

VOLTZ TOYS™®

A subdivision of The DAAN Groups

CONTACT US

Before returning your product, please contact us first! Voltz Toys Customer Service can assist you with any replacement parts, damages, or defective issues reported. You can contact us directly at www.voltztoys.ca.

Email: help@voltztoys.ca

Phone number: 1-888-338-6589

Head Office: Unit 7-3600A Laird Rd, Mississauga, ON, L5L 6A6

USER MANUAL



MODEL: DG-80158



COMPLIANCE STANDARDS:

SOR/2011-17

SOR/2018-138

SOR/2016-195

SOR/2016-302

SOR/2018-83

SOR/2016-188

SOR/2014-254

EN71

ASTM F963-17

CPSIA

ELECTRONIC RIDE-ON CAR

ENGLISH

Please read the manual before using the product. The manual and carton contain important information. Please keep the manual for later references. Failure to follow the instructions in the manual may result in damages, accidents, or defective issues with the product.

To improve the product and quality, we may alter the structure, appearance, packing method, assembly method, and product function without any notice.

When there are any differences between the manual and the product, please refer to the actual product itself. We apologize for any inconvenience caused.

An adult should assemble the product. All pictures shown are for illustration and reference purposes only. The actual product may vary due to product enhancement.

Disclaimer:

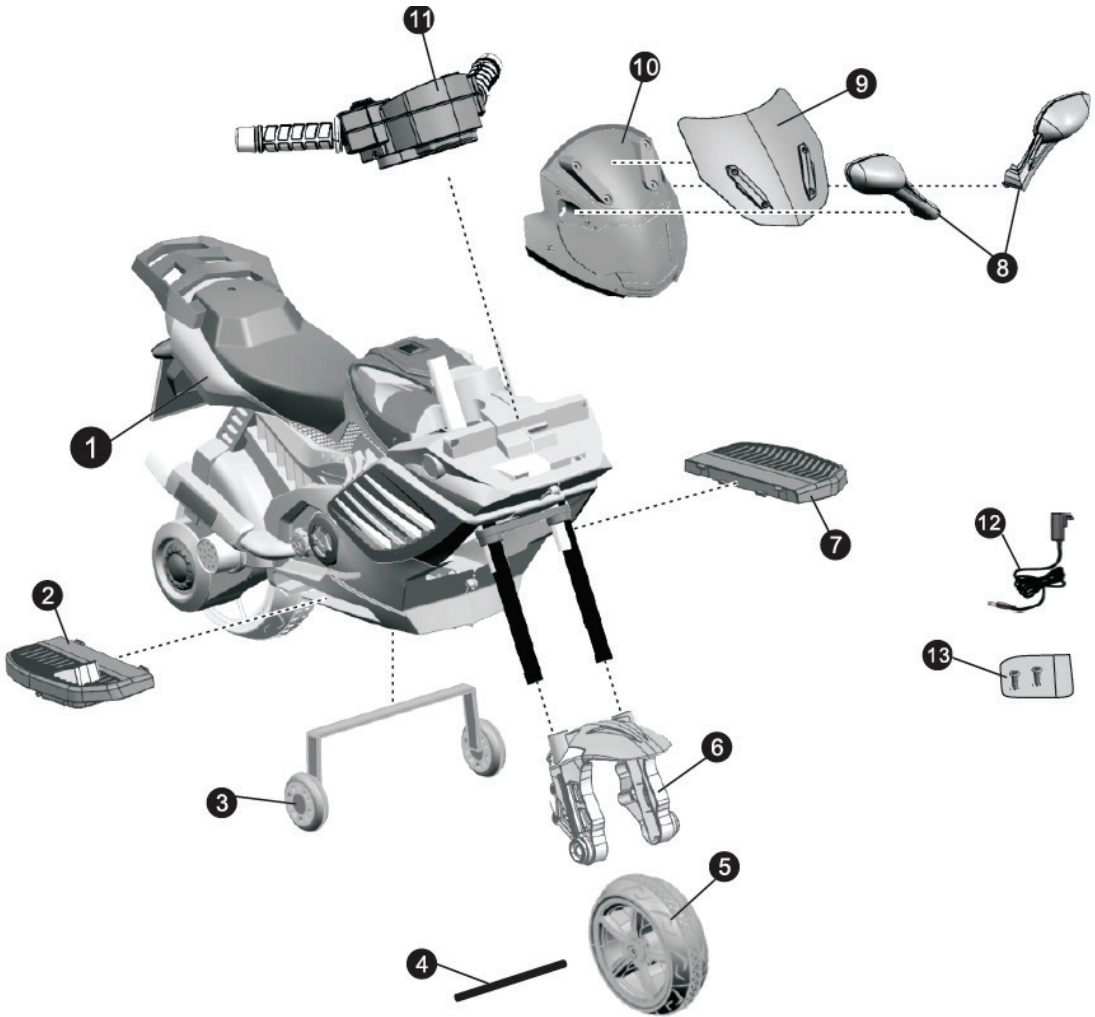
The pictures in the instructions are for assembly reference only. Please refer to the actual product.



WARNING

This product is not used for transportation and only should be used under adult guidance and supervision. Parents should ensure that children have followed the safety measures before use. Children should use the toy with caution and under adult supervision. To prevent injury to users and others, basic coordination skills and awareness are required to avoid accidents, falls, or collisions.

PARTS NAME



| NO. | PART NAME | Q'ty | NO. | PART NAME | Q'ty |
|-----|-----------------|------|-----|------------------|------|
| 1 | Vehicle | 1 | 8 | Side Mirror | 2 |
| 2 | Pedals-R | 1 | 9 | Windshield | 1 |
| 3 | Training wheels | 1 | 10 | Cowl panel | 1 |
| 4 | Front Axle | 1 | 11 | Dashboard | 1 |
| 5 | Wheel | 1 | 12 | Charger | 1 |
| 6 | Fender | 1 | 13 | Wrench | 2 |
| 7 | Pedals-L | 1 | 14 | Assembly package | 1 |

PRODUCT SPECIFICATIONS

| | |
|---------------|--|
| Car Model | DG-80158 |
| Battery | 6V4.5AH*1 |
| Suitable age | 36-72 months |
| Weight Limit | 25 kg |
| Product Size | 77 x 38 x 50mm |
| Speed | 1-2.5 km / hour |
| Charging time | 8-12 hours |
| Charger | AC 100V-120V 50/60Hz (input) DC 6V/8V (output) |
| Fuse | Auto-reset fuse |

ASSEMBLY PREPARATION

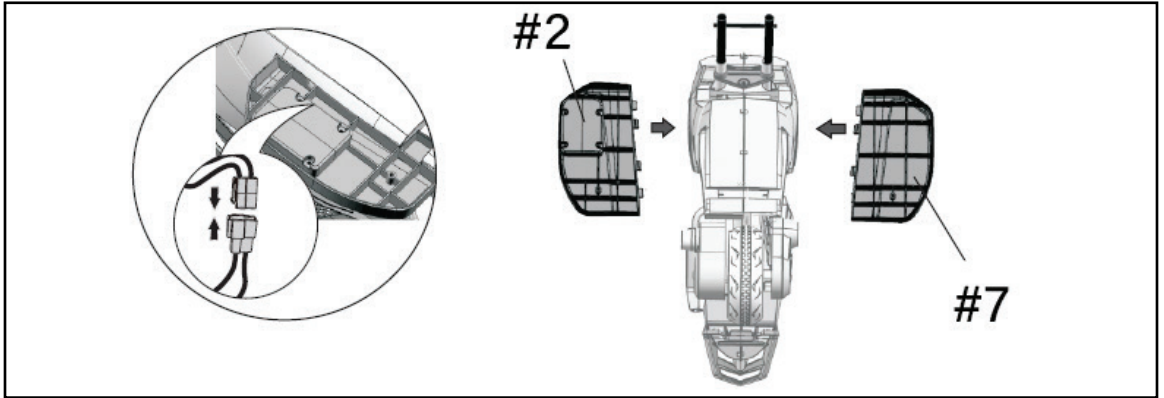
- Adults must assemble the car.
- The product contains small items that may present choking hazards. Keep children away from assembling. Children under 36 months are prohibited from using.
- Review and count all parts carefully before assembling. Properly dispose of all plastic bags and other packaging materials.

Attention: Please install the car as per the following order procedure. Otherwise, some parts can not be installed correctly.

1. PEDAL ASSEMBLY

Parts required: #2, #7

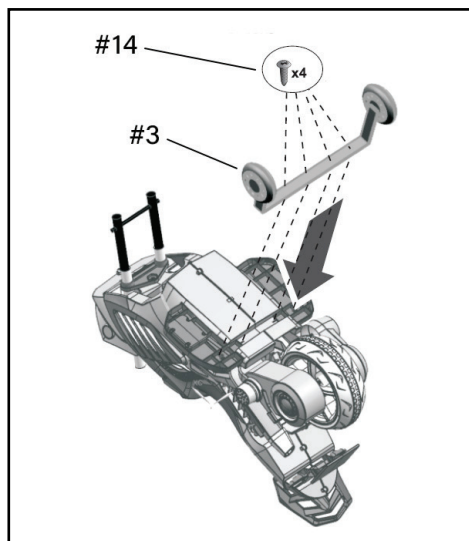
Start this step with the unit in up-side-down position. Connect the cables from Pedal-R to the unit body with corresponding connector. Slide both side of the pedals into designated slots and push firmly until you hear a snap sound or feels a click.



2. TRAINING WHEEL ASSEMBLY

Parts required: #3, #14

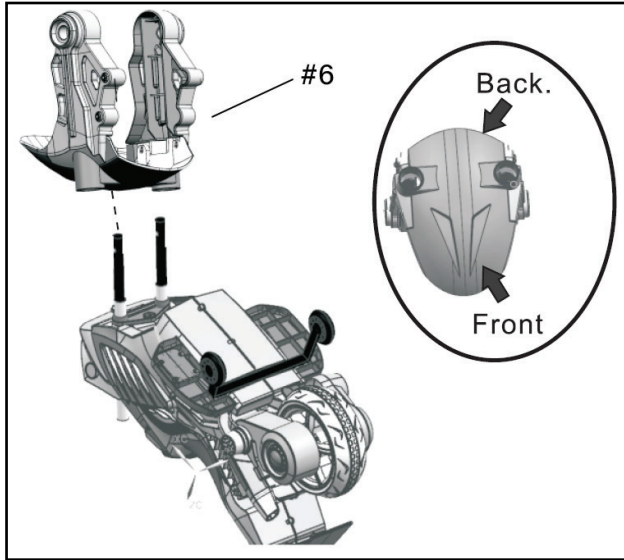
Fit the training wheel into designated slot with equal distance from the body. Fix it with 4x screws.



3. FRONT FENDER ASSEMBLY

Parts required: #6

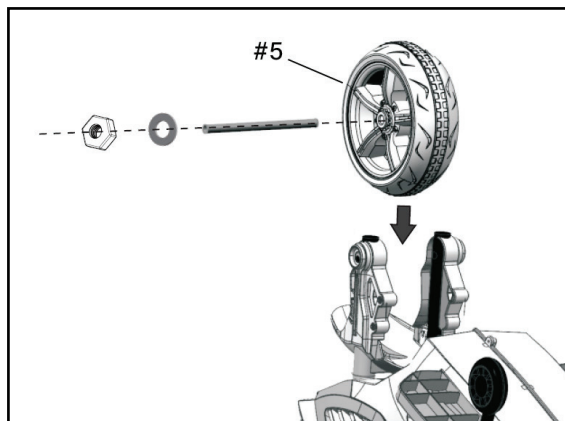
Remove the front axle with a wrench. Fit the fender into the fork. Please note the orientation of the fender matters.



4. FRONT WHEEL ASSEMBLY

Parts required: #5

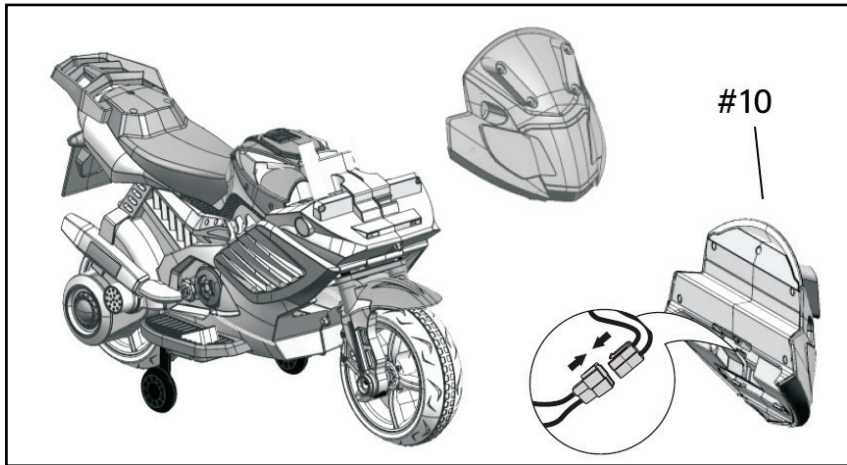
Slide the front wheel in-between the front fork, align the wheel with the front fork by aligning the openings. Insert front axle through the opening. Put washer on both sides and fix the wheel with nuts.



5. CENTER CONTROL ASSEMBLY

Parts required: #10

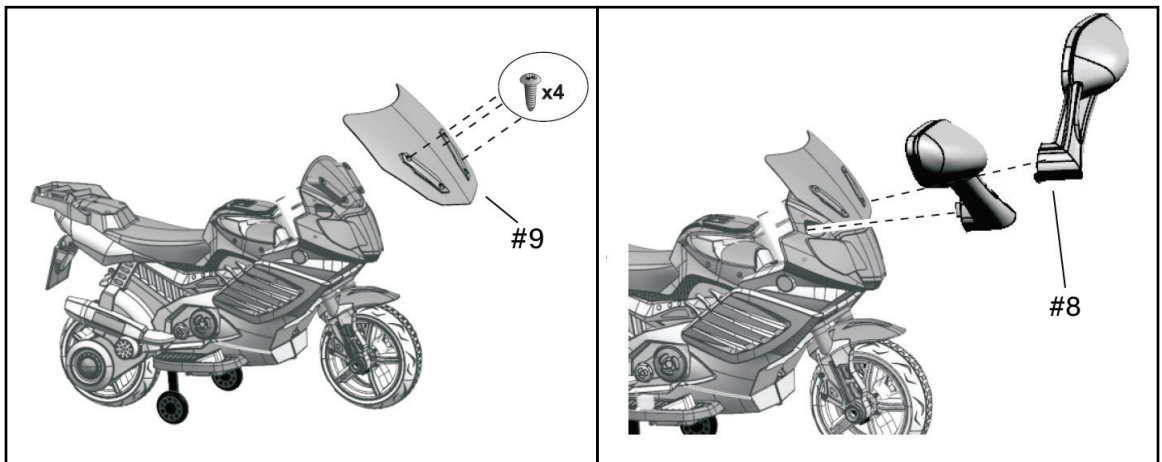
Connect the cables from the central control module to unit body with corresponding connector. Place the module on to the unit with designated location and fix it with 2x screws.



6. WINDSHIELD AND SIDE MIRROR ASSEMBLY

Parts required: #8, #9

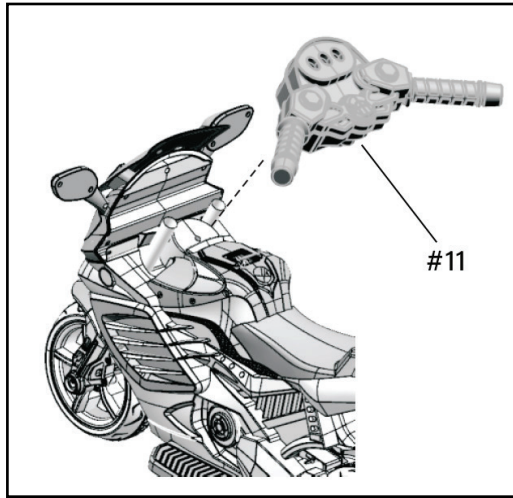
Place the windshield at corresponding location on central control module, fix it with 4x screws. Insert side mirrors into the central control openings, press them firmly until you hear or feel the snap.



7. HANDLEBAR ASSEMBLY

Parts required: #11

Insert the handlebar connector through the corresponding opening. Press firmly until you hear or feel a snap. Place the dashboard on the designated location, fix it with screws.



8. BATTERY CONNECTION

Parts required: #N/A

Remove the screw from the back seat as displayed. Plug in to red fuse connector into battery terminal. Test whether the unit could power on. Then put the back seat in and fix it with screw.



FUSE

This car is equipped with an auto-reset fuse. If the car stops suddenly while driving, it is caused by the instantaneous current exceeding, enabling the fuse to trip. This will result in the car disabling for about 8 seconds, and this fuse can be reset.

To avoid tripping the fuse:

- Do not exceed the maximum load capacity; the maximum load is 25kg.
- Do not drag any objects behind the product.
- Do not expose water or other liquids to the battery and other electrical components.
- Do not change and/or modify the circuit system and the structure of the product.

SECURITY WARNING

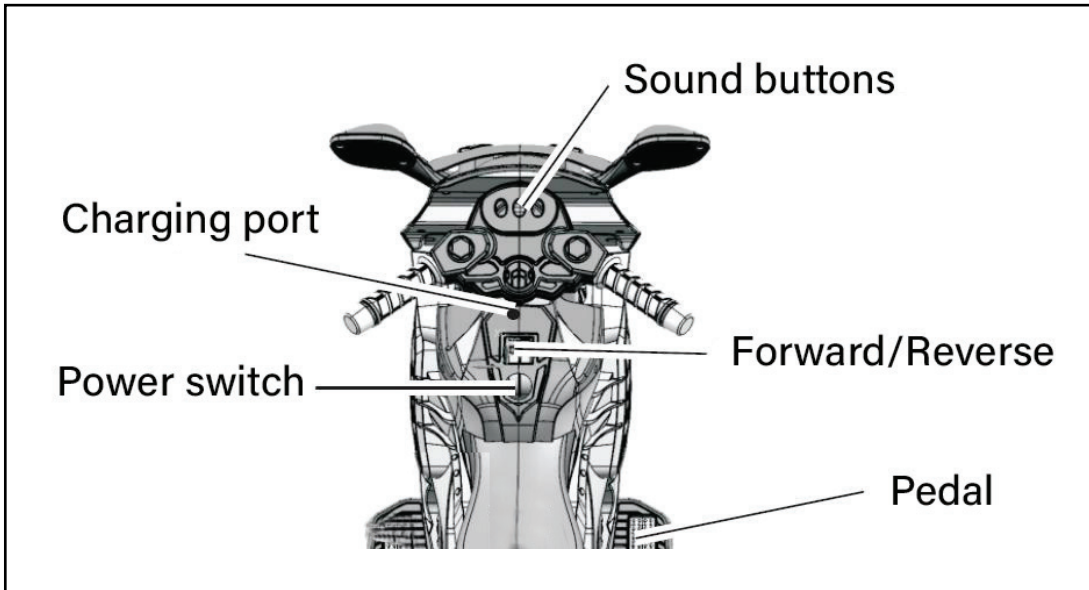
1. It is strictly prohibited to drive on the street, roads, potholes, and slopes.
2. Avoid driving in sand, grass, uneven ground, or other terrains that may damage the vehicle.
3. Parents are responsible to supervise at all times to avoid accidents while children are driving.
4. To maintain product life and safety, avoid damaging the charger, battery, or electrical circuit. The car must use the default configuration of the dedicated charger and power supply.
5. Rechargeable batteries should be removed from the toy before charging.
6. When inactive, disconnect the car's power by unplugging the (red) battery wire, ensuring all switches are in the "STOP" or "OFF" position.
7. The charger is not a toy. Please keep away from children.
8. This product is mainly composed of PP material. The expected product-usage life is two years.

USAGE DIRECTION

Before using the car, review the following procedures to ensure functionality:

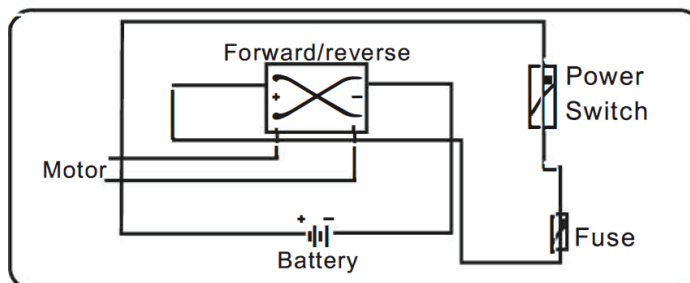
1. All steps are followed per the instructions to complete the car's assembly. Specifically, the battery wire is connected correctly, and the power supply has been switched on to confirm functionality.
2. Make sure all parts requiring hardware are fixed tightly and correctly.
3. Adults must ensure children have taken safety measures before use.
4. To reduce accidents while using, the child must be seated at all times.
5. Follow the product's recommended seating capacity. Please do not exceed the maximum number of users to ride.
6. Adults must always supervise their children while the car is in use.
7. Adults are responsible for the care and guidance of their child while the car is in use, ensuring the child is not left unattended.
8. Pay attention to the driving environment and surfaces. Ensure the car is not driven in an unsafe environment.
9. Pay attention to the road, trenches, riverside, slopes, or uneven ground.
10. Not to be used on public roads or near ongoing traffic.
11. The car should only be used in daytime and under light for visibility. Do not use the car at night or under low visibility.
12. To avoid unexpected obstacles or events, adults must supervise at all times.

Dashboard (function reference diagram)



1. Power Switch: Turns the vehicle on and off.
2. Forward/reverse switch: Changes the direction that vehicle moves from forward to reverse.
 - To move the car forward, rock the switch to "forward" position.
 - To move the car backward, rock the switch to "reverse" position.
3. Sounds buttons: Press for sounds playing.
4. Foot pedal: Applies power (speed) to the vehicle.
 - To move the car, press the pedal down.
 - To brake or slow down, release pressure from the pedal.
5. Charging port

Circuit Diagram



WARNING

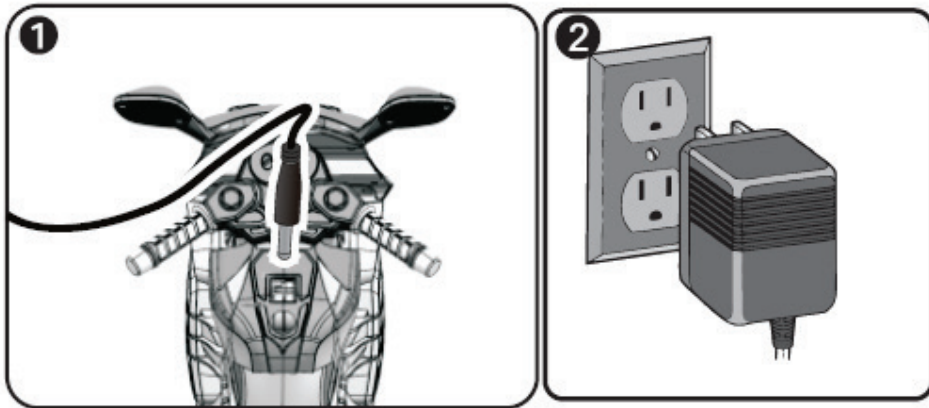
1. When operating the car with the remote, the distance between the car to remote should not exceed 10m range.
2. The remote is provided for adult's to operate. Keep away from children.
3. Before using the remote, carefully read the instruction manual, ensuring all functions are reviewed properly before operating.
4. Please switch to the "P" gear before entering the car.
5. The car should not be driven on dangerous terrain or environments. This includes the road, bodies of water, or obstacles.
6. Do not expose the remote to water or rain. Water exposure may result in circuit damage.
7. Do not mix old and new batteries, including different brands of batteries.
8. When the remote is inactive for an extended period, it is recommended to remove the batteries to avoid battery leakage and corrosion to the circuit board.
9. Do not drop or throw the remote control.
10. Install batteries with correct polarity to avoid short circuits.
11. Charging is to be done by adults. Non-rechargeable batteries can not be charged.
12. Low batteries should be removed and kept away from children. Batteries are not a toy.
13. Remove the battery if the car is inactive (at least one month) for an extended period. Properly remove and handle batteries, and keep away from children.
14. If the remote can only operate the car in less than 3 meters, this indicates the battery is low in the remote. Change the two AAA batteries accordingly.

WARNING

- Do not charge non-rechargeable batteries for the remote.
- Batteries for the remote must be inserted with the correct polarity.
- When the remote is low in battery, please remove and swap the batteries.
- Rechargeable batteries for the remote must be charged under adult supervision.
- Rechargeable batteries must be removed from the remote before being charged.

CHARGING PROCEDURES

- For safety purposes, charging must be done by adults.
- When initially assembled, connect the (red) battery wires under the hood. Charge for 8-12 hours before using.
- The charging port is located on the dashboard. Follow the instructions to charge the battery.
- If the car is starting to slow down, this indicates the battery is low. Recharge for 8-12 hours, maximum 20 hours. Do not overcharge or undercharge.



1. First, insert the charger into the charging port.
2. Carefully insert the charger outlet into the power outlet. Please note the car will not turn on when the car is connected.

WARNING

1. The assembly of the car must be done by an adult. When unassembled, it contains potentially hazardous parts that are sharp or small. Please keep out of children's reach.
2. Choking hazards of small parts.
3. Not for children under 36 months. Recommended for 37-95 months.
4. Always wear shoes or footwear when using the toy.
5. RISK OF FIRE. Do not bypass. Replace only with circuit protection devices.
6. Protective equipment should be worn.

ATTENTION

- Dedicated charger and battery can only be used under manufacturer's regulations.
- Do not mix old, new or different types of batteries.
- The battery terminal should not be short circuit.
- Do not open the battery or charger.
- Do not reverse the battery.

- Before charging, please inspect the charger, battery, and plug to ensure no damages or abnormalities are found. If any damages are found, discontinue usage of the car until the parts are replaced or resolved.
- The battery may feel warm while being charged - this is normal. If the temperature from the charger does not elevate, it may be caused by a short circuit from the charger or circuit board.
- Must use the pressing plate to fix the battery.
- When the battery is no longer functional, adults are responsible for removing and safely disposing of the battery in a battery-safe disposition facility.
- When the product is inactive (at least one month), it must be fully charged. Unplug the (red) battery wire, and charge it at least once a month to ensure battery functionality and life.
- The charger and battery are not toys. Keep away from children.

MAINTENANCE AND SERVICE

1. Before using, adults are responsible for reviewing the product and essential parts are in a functional condition. Check whether screws are loose or other potential hazards. Any damaged or defective parts must be repaired or resolved before using.
2. Use a small amount of oil-based lubricant to moving parts to prevent rust or wear or tear (e.g. motors, gears, hardware, etc.).
3. Keep the car away from fire and direct sunlight. Store the car in a stable position and must be kept safely away from extreme temperatures or climate.
4. The car must be kept away from hot objects, such as stoves and heaters. Direct exposure to hot objects will melt the plastic. The car must be kept away from flammable materials to prevent ignition or fire when charging.
5. After using the car, charge the car adequately and must be done by an adult. If the product is inactive, it must be fully charged. Charge at least once a month to ensure battery functionality and life.

6. Use a soft cloth to clean the car. Do not use chemical solvents, soap, or water to clean the vehicle. Do not drive under precipitation (e.g. snow, rain, etc.) as this will damage the motor, battery and circuit system.
7. When inactive or discontinued, shut off all power by disconnecting the (red) battery wire, and all switches are in the "STOP" or "OFF" position.
8. Do not use third-party or different fuses.
9. Do not modify the product structure or circuit system. Maintenance and repair work must be done under the guidance of a professional or technician.
10. Do not use the product for other purposes.
11. Battery negative short circuit is prohibited.
12. Rechargeable batteries must be charged under adults' supervision.
Non-rechargeable batteries can not be charged. Ensure the batteries are installed in the correct polarity.
13. Do not mix old and new batteries, including different types of batteries.
14. Low batteries should be removed from the car and kept away from children.
15. Disconnect the batteries when completely inactive or discontinued. Do not let children use the car in this state.

TROUBLESHOOTING

| | |
|-----------------------------------|---|
| The car does not move or power on | <ul style="list-style-type: none"><input type="checkbox"/> The power switch is in the “OFF” position.<input type="checkbox"/> The fuse is not functioning properly.<input type="checkbox"/> The battery (red) wire is not connected properly, check the battery terminals, and the battery wire.<input type="checkbox"/> If the charger is plugged in, the car will not turn on. Unplug the charger first before turning on the car.<input type="checkbox"/> Check the pedal switch if it is disconnected or defective. <p>The wheels are stuck and cannot move; check the wheels and motors if functioning properly.</p> |
| The car is moving slowly | <ul style="list-style-type: none"><input type="checkbox"/> If the battery is not fully charged, it will not run properly. Charge the car adequately for 8-12 hours.<input type="checkbox"/> Check the wheels and motors. Inspect the gears on the wheels, and motors if they are functioning properly. If damaged, the car will not run accordingly.<input type="checkbox"/> The car has a maximum weight capacity. If the user weight exceeds the recommended weight, the car will not run at full speed. |
| The battery does hold a charge | <ul style="list-style-type: none"><input type="checkbox"/> If the charger is defective. The charger must be showing a red or green light depending on the status of the battery. If the light is not showing, changing from red to green, or staying one color, the charger may be defective.<input type="checkbox"/> The battery life has deteriorated. Please use a voltmeter to verify the voltage post-charge. If it falls below the standard voltage amount, please replace the battery.<input type="checkbox"/> If the charging port between the charger and battery is defective. The charging port provides electricity output between the charger and battery. If the charging port is defective, then the battery can not charge. |