

VOLTZ TOYS™

A subdivision of The DAAN Groups

CONTACT US

Before returning your product, please contact us first! Voltz Toys Customer Service can assist you with any replacement parts, damages, or defective issues reported. You can contact us directly at www.voltztoys.ca.

Email: help@voltztoys.ca

Phone number: 1-888-338-6589

Head Office: Unit 7-3600A Laird Rd, Mississauga, ON, L5L 6A6

USER MANUAL | Hollicy



MODEL: DG1658



COMPLIANCE STANDARDS:

SOR/2011-17

SOR/2018-138

SOR/2016-195

SOR/2016-302

SOR/2018-83

SOR/2016-188

SOR/2014-254

EN71

ASTM F963-17

CPSIA

SCHOOL BUS

ENGLISH

Please read the manual before using the product. The manual and carton contain important information. Please keep the manual for later references. Failure to follow the instructions in the manual may result in damages, accidents, or defective issues with the product.

To improve the product and quality, we may alter the structure, appearance, packing method, assembly method, and product function without any notice.

When there are any differences between the manual and the product, please refer to the actual product itself. We apologize for any inconvenience caused.

An adult should assemble the product. All pictures shown are for illustration and reference purposes only. The actual product may vary due to product enhancement.

Disclaimer:

The pictures in the instructions are for assembly reference only. Please refer to the actual product.

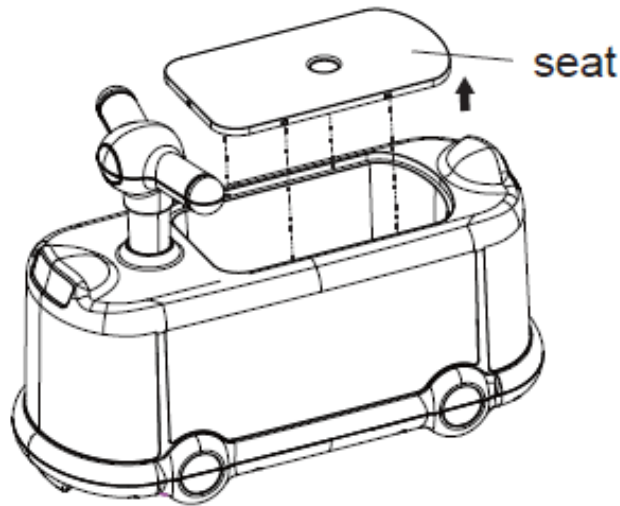


WARNING

This product is not used for transportation and only should be used under adult guidance and supervision. Parents should ensure that children have followed the safety measures before use. Children should use the toy with caution and under adult supervision. To prevent injury to users and others, basic coordination skills and awareness are required to avoid accidents, falls, or collisions.

FUNCTION INTRODUCTION

When you remove the seat, there is a storage compartment. This feature allows users to store accessories or other toys inside.






ASSEMBLY PREPARATION

- Adults must assemble the car.
- The product contains small items that may present choking hazards. Keep children away from assembling. Children under 36 months are prohibited from using.
- Review and count all parts carefully before assembling. Properly dispose of all plastic bags and other packaging materials.

Attention: Please install the car as per the following order procedure. Otherwise, some parts can not be installed correctly.

PARTS LIST

PARTS NAME	PICTURE	QTY	PARTS NAME	PICTURE	QTY
Car body	 #1	1	Steering wheel	 #2	1
User manual	 #3				

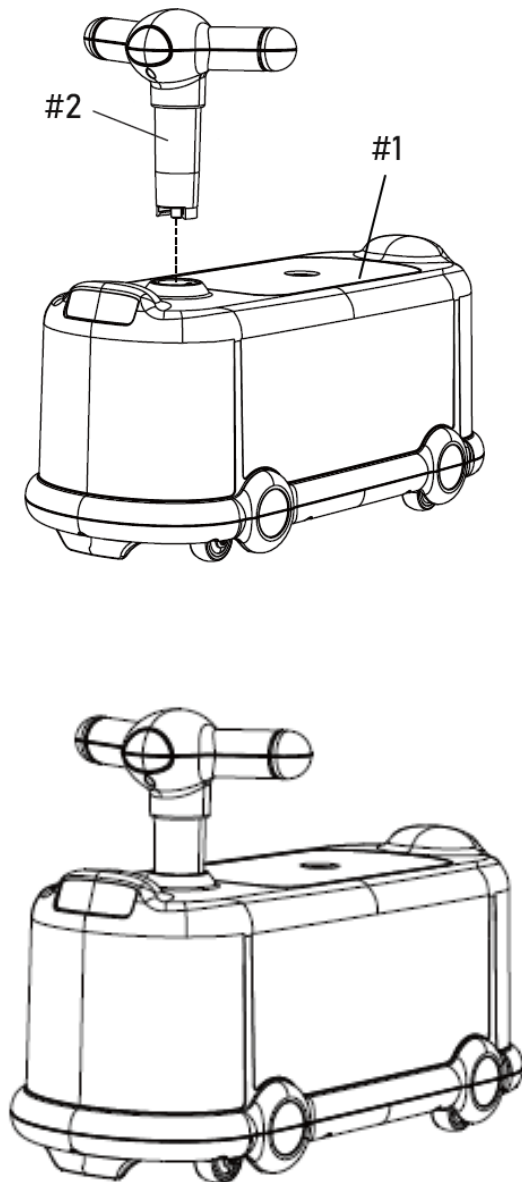
PRODUCT SPECIFICATION

Material	Plastic
Suitable age	18-35 months
Weight Limit	20 kg
Product Size	53.3 x 23.7 x 37.6 cm

STEERING WHEEL ASSEMBLY

Parts required: #1, #2

Locate the steering wheel's corresponding slot on the car body. Insert the steering wheel in the proper position, then push firmly to secure it.



USAGE DIRECTION

Before using the car, review the following procedures to ensure functionality:

1. Make sure all parts requiring hardware are fixed tightly and correctly.
2. Adults must ensure children have taken safety measures before use.
3. To reduce accidents while using, the child must be seated at all times.
4. Follow the product's recommended seating capacity. Please do not exceed the maximum number of users to ride.
5. Adults must always supervise their children while the car is in use.
6. Adults are responsible for the care and guidance of their child while the car is in use, ensuring the child is not left unattended.
7. Pay attention to the driving environment and surfaces. Ensure the car is not driven in an unsafe environment.
8. Pay attention to the road, trenches, riverside, slopes, or uneven ground.
9. Not to be used on public roads or near ongoing traffic.
10. The car should only be used in daytime and under light for visibility. Do not use the car at night or under low visibility.
11. To avoid unexpected obstacles or events, adults must supervise at all times.

MAINTENANCE AND SERVICE

1. Before using, adults are responsible for reviewing the product and essential parts are in a functional condition. Check whether screws are loose or other potential hazards. Any damaged or defective parts must be repaired or resolved before using.
2. Use a small amount of oil-based lubricant to moving parts to prevent rust or wear or tear (e.g. motors, gears, hardware, etc.).
3. Keep the car away from fire and direct sunlight. Store the car in a stable position and must be kept safely away from extreme temperatures or climate.

4. The car must be kept away from hot objects, such as stoves and heaters. Direct exposure to hot objects will melt the plastic. The car must be kept away from flammable materials to prevent ignition or fire when charging.
6. Use a soft cloth to clean the car. Do not use chemical solvents, soap, or water to clean the vehicle. Do not drive under precipitation (e.g. snow, rain, etc.) as this will damage the motor, battery and circuit system.
7. Do not use third-party or different fuses.
8. Do not modify the product structure or circuit system. Maintenance and repair work must be done under the guidance of a professional or technician.
9. Do not use the product for other purposes.