

VOLTZ TOYS™

A subdivision of The DAAN Groups

CONTACT US

Before returning your product, please contact us first! Voltz Toys Customer Service can assist you with any replacement parts, damages, or defective issues reported. You can contact us directly at www.voltztoys.ca.

Email: help@voltztoys.ca

Phone number: 1-888-338-6589

Head Office: Unit 7-3600A Laird Rd, Mississauga, ON, L5L 6A6

USER MANUAL



MODEL: DG81818



COMPLIANCE STANDARDS:

SOR/2011-17

SOR/2018-138

SOR/2016-195

SOR/2016-302

SOR/2018-83

SOR/2016-188

SOR/2014-254

EN71

ASTM F963-17

CPSIA

FIRE TRUCK

ENGLISH

Please read the manual before using the product. The manual and carton contain important information. Please keep the manual for later references. Failure to follow the instructions in the manual may result in damages, accidents, or defective issues with the product.

To improve the product and quality, we may alter the structure, appearance, packing method, assembly method, and product function without any notice.

When there are any differences between the manual and the product, please refer to the actual product itself. We apologize for any inconvenience caused.

An adult should assemble the product. All pictures shown are for illustration and reference purposes only. The actual product may vary due to product enhancement.






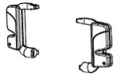






Disclaimer:

The pictures in the instructions are for assembly reference only. Please refer to the actual product.

 **WARNING**

This product is not used for transportation and only should be used under adult guidance and supervision. Parents should ensure that children have followed the safety measures before use. Children should use the toy with caution and under adult supervision. To prevent injury to users and others, basic coordination skills and awareness are required to avoid accidents, falls, or collisions.

PARTS LIST

PARTS NAME	PICTURE	QTY	PARTS NAME	PICTURE	QTY
Car body	 #1	1	Seat	 #2	1
Front/Rear wheel	 #3	4	Steering wheel	 #4	1
Charger	 #5	1	Side mirrors	 #6	2
Siren alarm	 #7	1	Remote control	 #8	1
Safety helmet (costume; optional)	 #9	1	Water gun (costume; optional)	 #10	1
Fire extinguisher (costume; optional)	 #11	1	User manual	 #12	1

PRODUCT SPECIFICATION

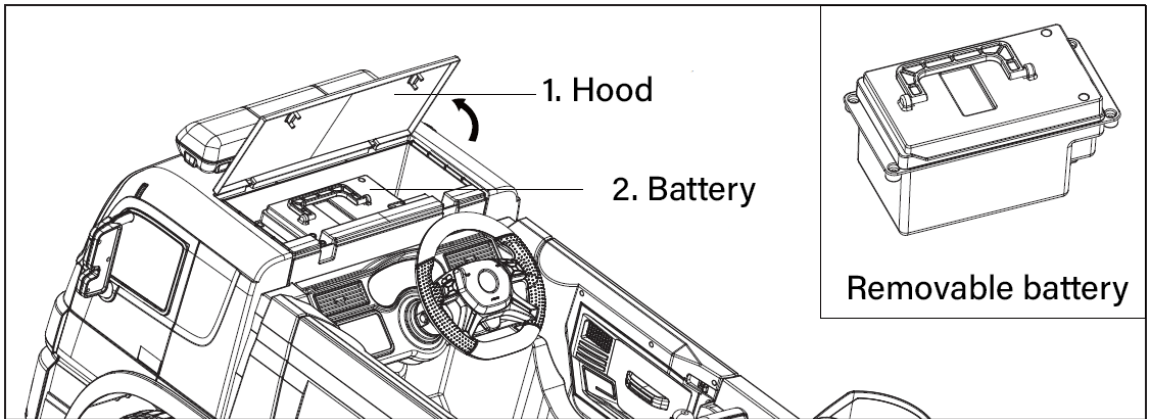
Battery	12V7AH / 12V10AH
Material	Plastic
Suitable Age	37-95 months
Weight Limit	30 kg
Product Size	115 x 65 x 60 cm
Speed	3-5 km / hour
Runtime	8-12 hours (to charge), 60-80 minutes (while using)
Charger	AC 110V-220V (input), DC 12V-1000mA (output)
Fuse	Auto-reset fuse

ASSEMBLY PREPARATION

- Adults must assemble the car.
- The product contains small items that may present choking hazards. Keep children away from assembling. Children under 36 months are prohibited from using.
- Review and count all parts carefully before assembling. Properly dispose of all plastic bags and other packaging materials.

Attention: Please install the car as per the following order procedure. Otherwise, some parts cannot be installed correctly.

Openable hood, easy access for removable battery for charging or replacing (model may vary)



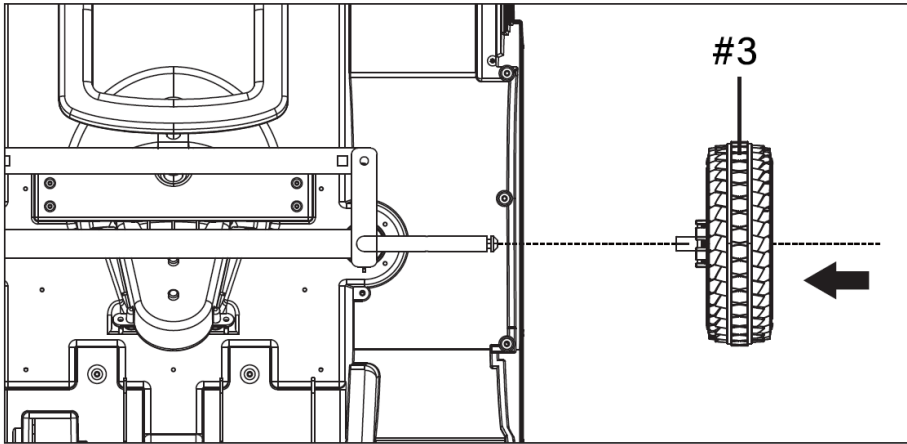
STROLLER FUNCTION

The vehicle includes a stroller function. There is a handle and caster wheels under the car. Pull the wheels out to enable the stroller feature and provide easy mobility. The vehicle can be dragged with the caster wheels, and if not needed, it can be retracted underneath the car.

1.FRONT WHEEL ASSEMBLY

Parts required: #3

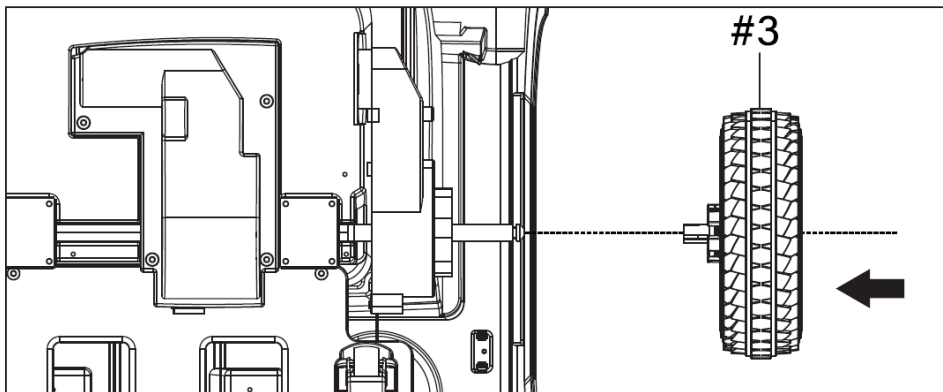
Start with the car in an upside down position. Locate the front axle and insert the front wheel. Ensure it is inserted through the center of the wheel. When inserting, press the middle button on the wheel, and push into place.



2. REAR WHEEL ASSEMBLY

Parts required: #3

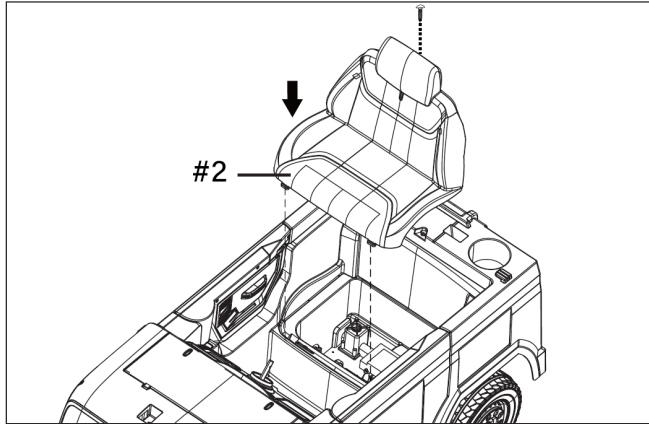
Locate the rear axle and insert the rear wheel. Ensure it is inserted through the center of the wheel. When inserting, press the middle button on the wheel, and push into place.



3. SEAT ASSEMBLY

Parts required: #2

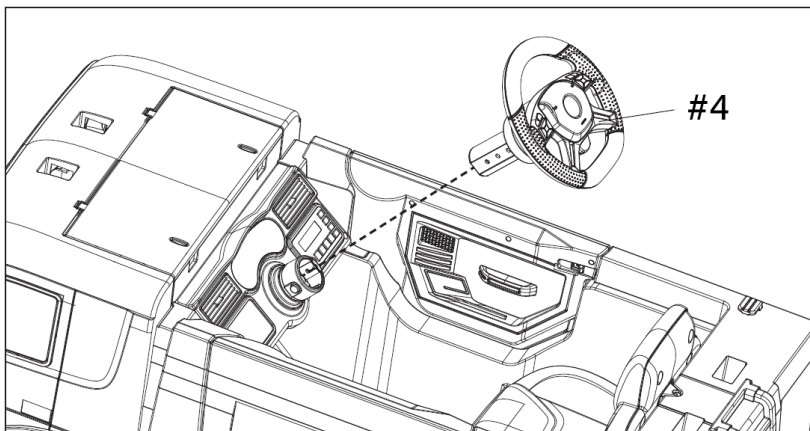
Turn the vehicle over to an upright position. Insert the plastic hooks underneath the seat into its corresponding slots on the car body. To complete the assembly, fix the back of the seat with a screw.



4. STEERING WHEEL ASSEMBLY

Parts required: #4

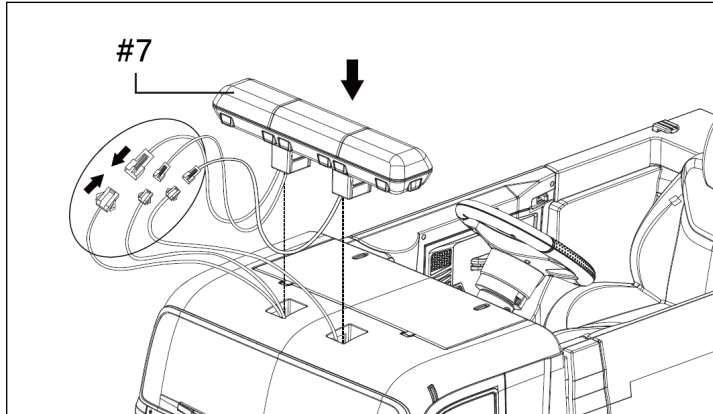
Align the steering wheel with the steering column. Push the steering wheel through by holding the two pins from the steering column. The steering wheel will be fixed once the pins lock into the steering wheel.



5. SIREN ALARM ASSEMBLY

Parts required: #7

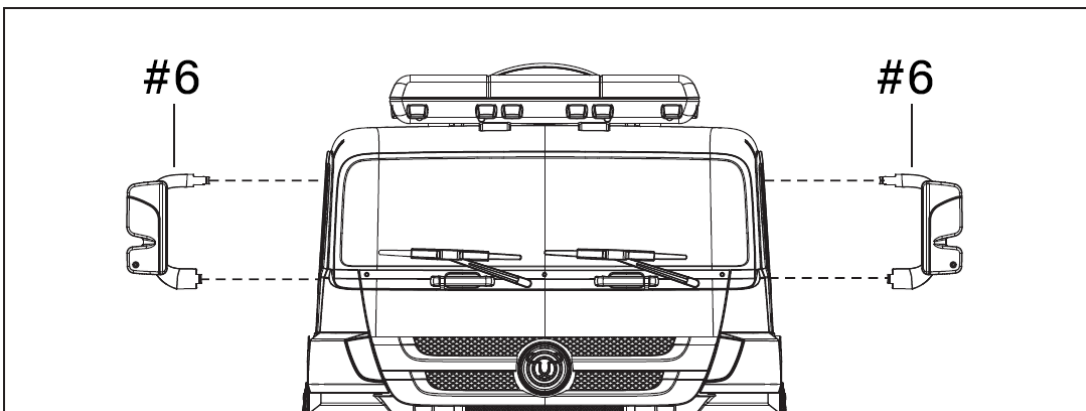
Connect the wires to their connectors from the car body (must connect to the same color). Insert the siren alarm into the car body. Press firmly to secure.



6. SIDE MIRROR ASSEMBLY

Parts required: #6

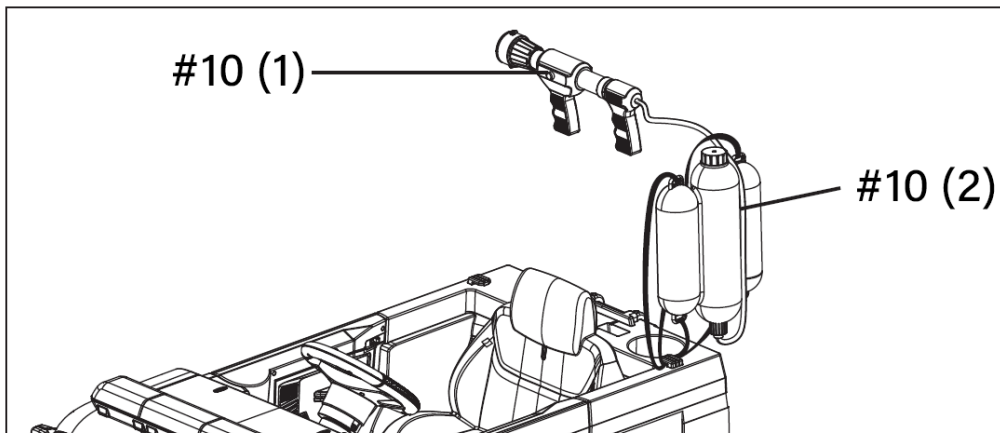
Insert the mirrors into its corresponding openings on the car body. Press firmly to secure.



7. WATER GUN ASSEMBLY (Costume; Optional)

Parts required: #10

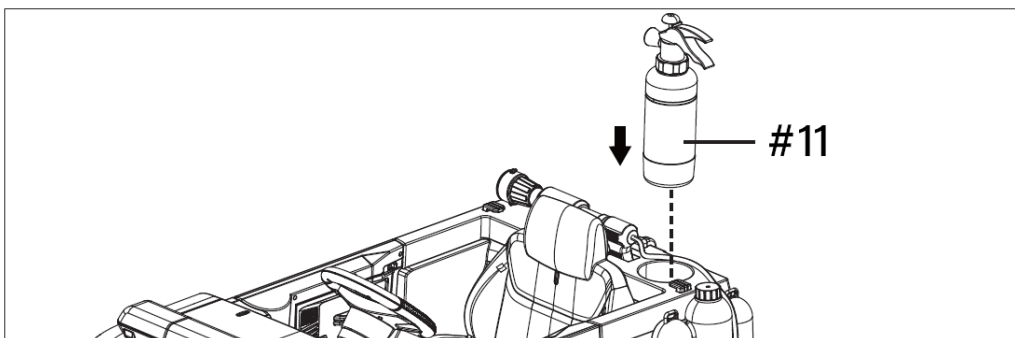
Insert the water gun into its corresponding opening at the rear end of the car body. The water jug can hang from the car body using the provided hook.



8. FIRE EXTINGUISHER ASSEMBLY (Costume; Optional)

Parts required: #11

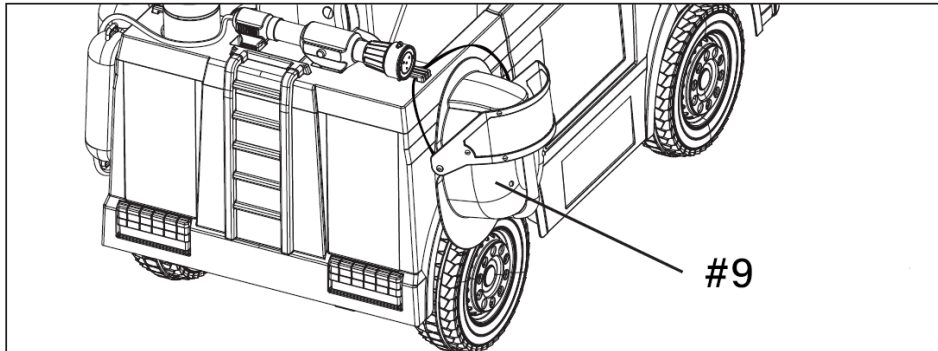
Insert the fire extinguisher into its corresponding opening at the rear end of the car body.



9. SAFETY HELMET (Costume; Optional)

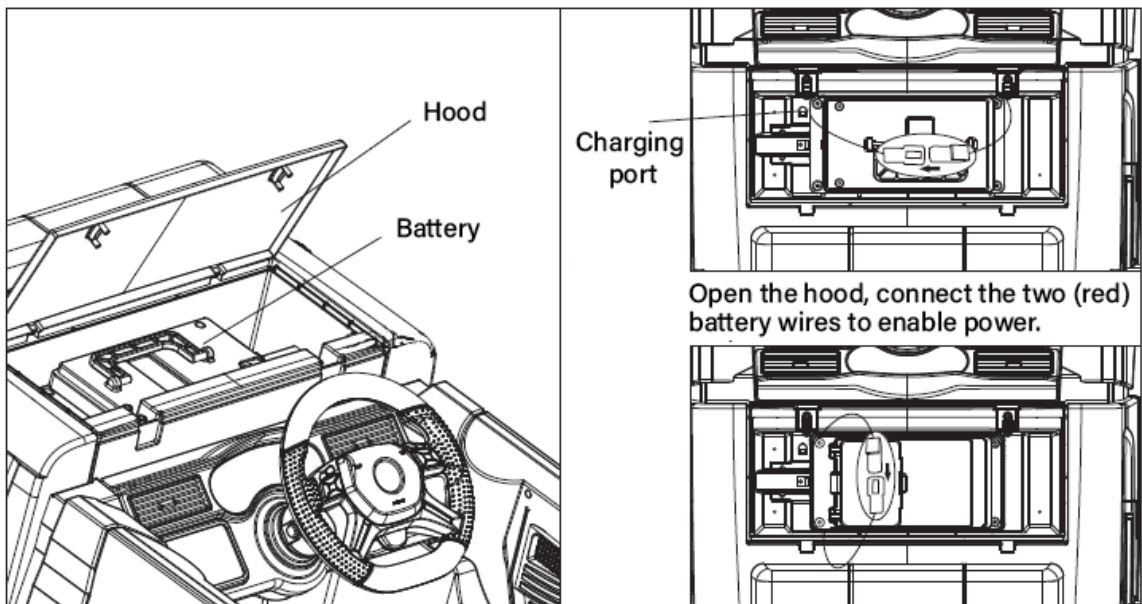
Parts required: #9

Hang the safety helmet on the car body using the provided hook.

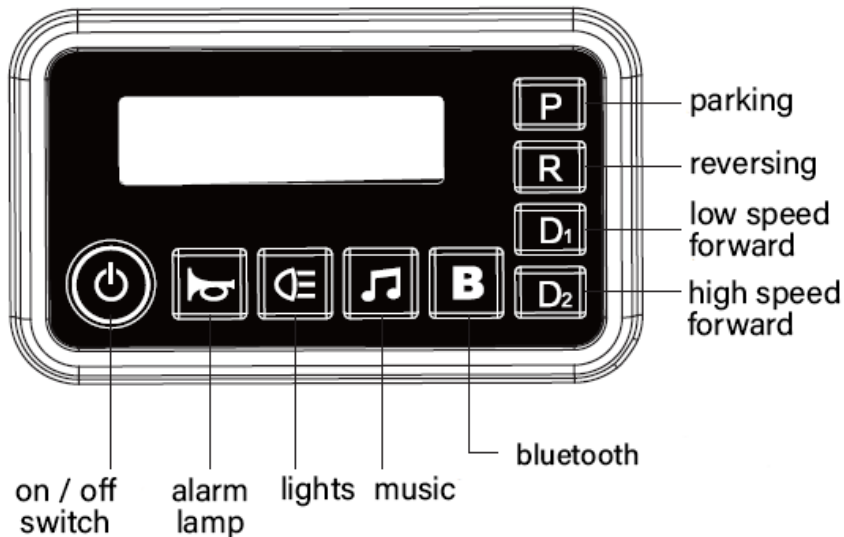


10. BATTERY CONNECTION

Open the hood, connect the two (red) battery wires to enable power.



OPERATION (function reference diagram)



Volume adjustment

- **Decrease volume:** Press and hold down the “Siren alarm” button to lower the volume.
- **Increase volume:** Press and hold down the “Music” button to increase the volume.
- **Pause:** Press the “Alarm” button once to sound the siren alarm. Press the “Alarm” button twice, the sound will be on pause.

Lights adjustment

There are four lighting configurations with this vehicle. You can alternate through the configurations by holding the “Lights” button in four sequences. Press and hold the “Lights” button to adjust.

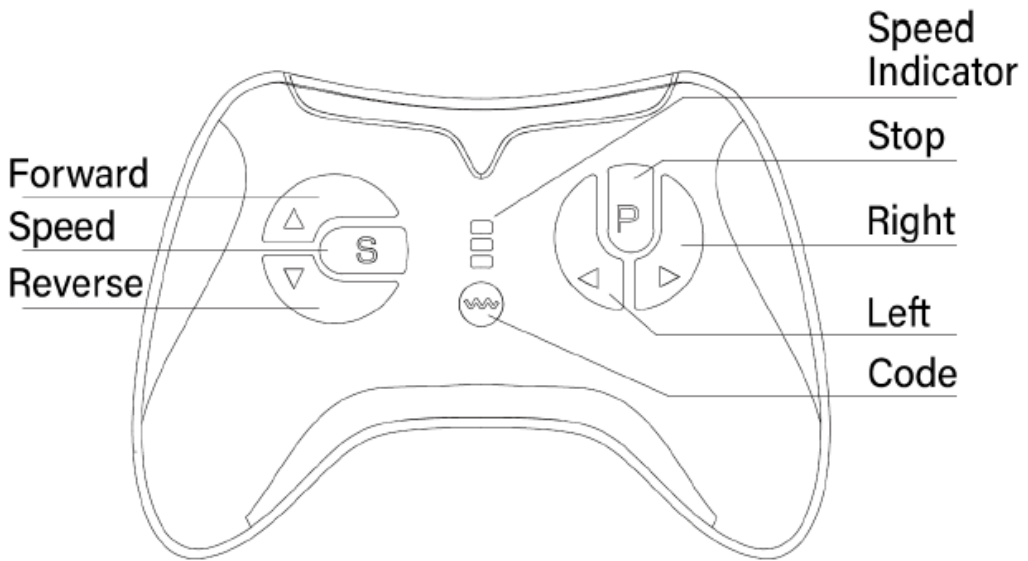
Sequence 1: **On:** headlights, LED wheels. **Off:** siren alarm

Sequence 2: **On:** siren alarm (flashing). **Off:** headlights, LED wheels

Sequence 3: **On:** headlights, LED wheels, siren alarm

Sequence 4: **Off:** headlights, LED wheels, siren alarm

REMOTE CONTROL INSTRUCTION



2.4GHz Remote Control Pairing Procedures

This remote is equipped with a memory function to retain its connection with your car. When replacing the batteries, you do not need to re-pair the remote.

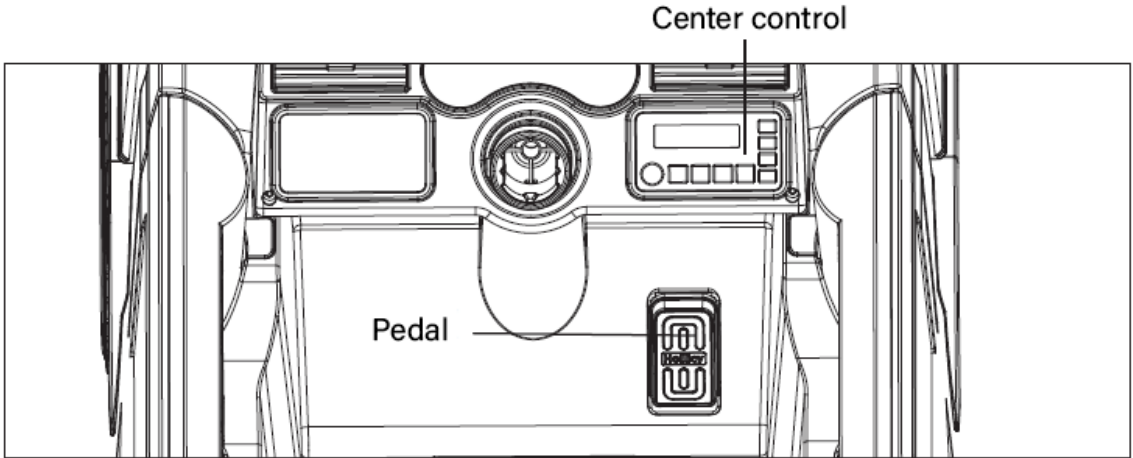
1. Hold the "M" button for more than three seconds until the center LED lights are flashing.
2. Turn the car on, the center LED lights will stop flashing and stay lit.
3. Pause for 10 seconds to confirm the connection on standby, then press any key on the remote to activate.

Remote control instructions

Key symbols: "△" Forward, "▽" Back, "◁" Left, "▷" Right, "S" Speed, "P" Stop.

- Code Key: To activate pairing.
- "S" Key - Speed button: adjust the speed from low, medium, or high. The light on the center of the remote will indicate the speed level.
- "P" Key - Park button: disable the vehicle's movement and stay parked. This will disable any movements while the light is flashing, and is inhibited to move from pedal or remote. To enable power, press the "P" button again.

DASHBOARD (function reference diagram)

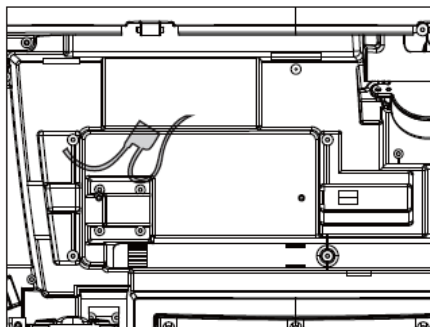


FUSE

This car is equipped with an auto-reset fuse. If the car stops suddenly while driving, it is caused by the instantaneous current exceeding, enabling the fuse to trip. This will result in the car disabling for about 8 seconds, and this fuse can be reset.

To avoid tripping the fuse:

- Do not exceed the maximum load capacity; the maximum load is 60kg.
- Do not drag any objects behind the product.
- Do not expose water or other liquids to the battery and other electrical components.
- Do not change and/or modify the circuit system and the structure of the product.



SECURITY WARNING

1. The assembly and charging routine of the vehicle must be under adult supervision at all times.
2. This product is recommended for children ages 37-95 months. Do not exceed the maximum weight limit of 60kg.
3. This product is ideal for driving on hard flat surfaces (e.g, concrete, gravel, asphalt, etc).
4. It is strictly prohibited to drive on the street, roads, potholes, and slopes.
5. Avoid driving in sand, grass, uneven ground, or other terrains that may damage the vehicle.
6. Children should be given full instructions and how to operate the car. Improper use can cause damages or accidents.
7. Parents are responsible to supervise at all times to avoid accidents while children are driving.
8. Avoid driving in the rain or flooded pathways. Exposure to water can damage the motor, circuit, and other electrical equipment.
9. Parents should inspect the battery charger to ensure it is in good working condition. Any damages or abnormalities regarding wires, plugs, or other components are prohibited to continue using. Do not use it until parts are completely repaired.
10. To maintain product life and safety, avoid damaging the charger, battery, or electrical circuit. The car must use the default configuration of the dedicated charger and power supply.
11. Rechargeable batteries should be removed from the toy before charging.
12. When inactive, disconnect the car's power by unplugging the (red) battery wire, ensuring all switches are in the "STOP" or "OFF" position.
13. The charger is not a toy. Please keep away from children.
14. Using non-manufacturer or third-party parts is strictly prohibited.
15. This product is mainly composed of PP material. The expected product-usage life is two years.

WARNING

1. The assembly of the car must be done by an adult. When unassembled, it contains potentially hazardous parts that are sharp or small. Please keep out of children's reach.
2. Choking hazards of small parts.
3. Not for children under 36 months. Recommended for 36-96 months.
4. Always wear shoes or footwear when using the toy.
5. **RISK OF FIRE.** Do not bypass. Replace only with circuit protection devices.
6. Protective equipment should be worn.

USAGE DIRECTION

Before using the car, review the following procedures to ensure functionality:

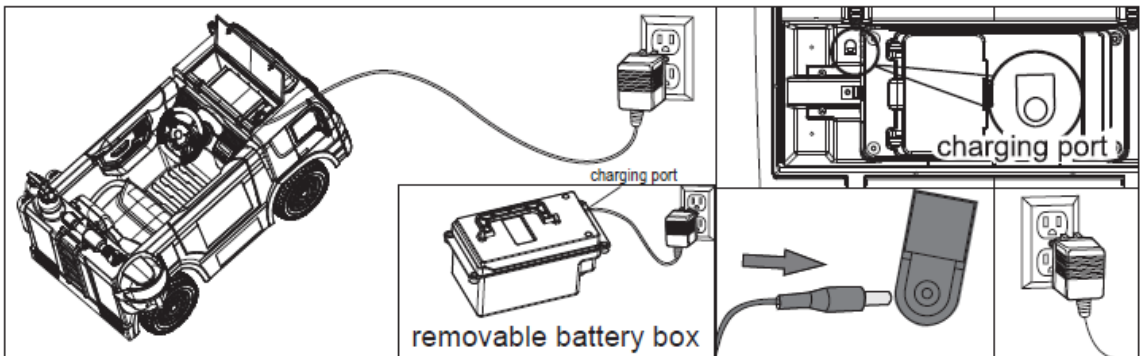
1. All steps are followed per the instructions to complete the car's assembly. Specifically, the battery wire is connected correctly, and the power supply has been switched on to confirm functionality.
2. Make sure all parts requiring hardware are fixed tightly and correctly.
3. Adults must ensure children have taken safety measures before use.
4. To reduce accidents while using, the child must be seated at all times.
5. Follow the product's recommended seating capacity. Please do not exceed the maximum number of users to ride.
6. Adults must always supervise their children while the car is in use.
7. Adults are responsible for the care and guidance of their child while the car is in use, ensuring the child is not left unattended.
8. Pay attention to the driving environment and surfaces. Ensure the car is not driven in an unsafe environment.
9. Pay attention to the road, trenches, riverside, slopes, or uneven ground.
10. Not to be used on public roads or near ongoing traffic.
11. The car should only be used in daytime and under light for visibility. Do not use the car at night or under low visibility.
12. To avoid unexpected obstacles or events, adults must supervise at all times.

WARNING

- Do not charge non-rechargeable batteries for the remote.
- Batteries for the remote must be inserted with the correct polarity.
- When the remote is low in battery, please remove and swap the batteries
- Rechargeable batteries for the remote must be charged under adult supervision.
- Rechargeable batteries must be removed from the remote before being charged.

CHARGING PROCEDURES

- For safety purposes, charging must be done by adults.
- When initially assembled, connect the (red) battery wires under the hood. Charge for 8-12 hours before using.
- The charging port is located on the dashboard. Follow the instructions to charge the battery.
- If the car is starting to slow down, this indicates the battery is low. Recharge for 8-12 hours, maximum 20 hours. Do not overcharge or undercharge.
- First, insert the charger into the charging port.
- Carefully insert the charger outlet into the power outlet. Please note the car will not turn on when the car is connected.



ATTENTION

- Dedicated charger and battery can only be used under manufacturer's regulations.
- Do not mix old, new or different types of batteries.
- The battery terminal should not be short circuit.
- Do not open the battery or charger.
- Do not reverse the battery.
- Before charging, please inspect the charger, battery, and plug to ensure no damages or abnormalities are found. If any damages are found, discontinue usage of the car until the parts are replaced or resolved.
- The battery may feel warm while being charged - this is normal. If the temperature from the charger does not elevate, it may be caused by a short circuit from the charger or circuit board.
- Must use the pressing plate to fix the battery.
- When the battery is no longer functional, adults are responsible for removing and safely disposing of the battery in a battery-safe disposition facility.
- When the product is inactive (at least one month), it must be fully charged. Unplug the (red) battery wire, and charge it at least once a month to ensure battery functionality and life.
- The charger and battery are not toys. Keep away from children.

MAINTENANCE AND SERVICE

1. Before using, adults are responsible for reviewing the product and essential parts are in a functional condition. Check whether screws are loose or other potential hazards. Any damaged or defective parts must be repaired or resolved before using.
2. Use a small amount of lubricant oil to moving parts to prevent rust or wear or tear (e.g. motors, gears, hardware, etc.).
3. Keep the car away from fire and direct sunlight. Store the car in a stable position and must be kept safely away from extreme temperatures or climate.
4. The car must be kept away from hot objects, such as stoves and heaters. Direct exposure to hot objects will melt the plastic. The car must be kept away from flammable materials to prevent ignition or fire when charging.
5. After using the car, charge the car adequately and must be done by an adult. If the product is inactive, it must be fully charged. Charge at least once a month to ensure battery functionality and life.
6. Use a soft cloth to clean the car. Do not use chemical solvents, soap, or water to clean the vehicle. Do not drive under precipitation (e.g. snow, rain, etc.) as this will damage the motor, battery and circuit system.
7. When inactive or discontinued, shut off all power by disconnecting the (red) battery wire, and all switches are in the "STOP" or "OFF" position.
8. Do not use third-party or different fuses.
9. Do not modify the product structure or circuit system. Maintenance and repair work must be done under the guidance of a professional or technician.
10. Do not use the product for other purposes.
11. Battery negative short circuit is prohibited.
12. Rechargeable batteries must be charged under adults' supervision. Non-rechargeable batteries can not be charged. Ensure the batteries are installed in the correct polarity.
13. Do not mix old and new batteries, including different types of batteries.

14. Low batteries should be removed from the car and kept away from children.
15. Disconnect the batteries when completely inactive or discontinued. Do not let children use the car in this state.

TROUBLESHOOTING

DEFECT	ANALYSIS	SOLUTION METHODS
The vehicle is not moving	<ol style="list-style-type: none"> 1. Battery has low voltage 2. Fuse protection 3. Wheel assembly is not correct or loose 4. Battery connections are disconnected 5. Battery is dead 6. Electrical damage 7. Motors are damaged 	<ol style="list-style-type: none"> 1. Recharge the battery for the recommended time (8-12 hours) 2. Stop using the car. Wait for a few minutes then re-use 3. Correct the wheel assembly; ensure the hardware is fixed tightly 4. Reconnect the battery wires 5. (Including 6-7) Contact the retailer for replacement parts or service. Please do not use third-party parts to repair
Battery is not charging	<ol style="list-style-type: none"> 1. Battery connections are disconnected 2. No power to vehicle 	<ol style="list-style-type: none"> 1. Reconnect the battery wires 2. Charge the vehicle using the charger
Short mileage; the run-time is shorter than the standard time	<ol style="list-style-type: none"> 1. Battery is low 2. Battery is old, or deteriorated 	<ol style="list-style-type: none"> 1. Charge the vehicle using the charger 2. Contact the retailer for replacement parts or service. Please do not use third-party parts to repair
The charger is emitting sound and is warm while charging	<ol style="list-style-type: none"> 1. Normal reaction while charging 	<ol style="list-style-type: none"> 1. Normal occurrence with the product

<p>The vehicle is low in speed</p>	<ol style="list-style-type: none"> 1. Battery is old, or deteriorated 2. Battery is low 3. The vehicle is overloaded (maximum weight capacity) 4. The vehicle is driven on irregular terrain 	<ol style="list-style-type: none"> 1. Contact the retailer for replacement parts or service. Please do not use third-party parts to repair 2. Recharge the battery 3. Reduce the user weight to <30kg 4. Use the vehicle on ideal concretes, such as pavement, concrete, or hard-wood floors
<p>Wheel or steering motor has an abnormal sound</p>	<ol style="list-style-type: none"> 1. Motor is defective 	<ol style="list-style-type: none"> 1. Reconnect the motor wire 2. Contact the retailer for replacement parts or service. Please do not use third-party parts to repair
<p>The vehicle is shaking when accelerating</p>	<ol style="list-style-type: none"> 1. The connection for the motors are not ensured 2. One of the gears inside the motor is damaged 	<ol style="list-style-type: none"> 1. Reconnect the motor wires 2. Contact the retailer for replacement parts or service. Please do not use third-party parts to repair
<p>The car operates without music</p>	<ol style="list-style-type: none"> 1. There is no battery in the steering wheel 2. MP3 wire connections may be loose 	<ol style="list-style-type: none"> 1. Install batteries inside the steering wheel 2. Reconnect the wires behind the MP3