

VOLTZ TOYS™

A subdivision of The DAAN Groups

CONTACT US

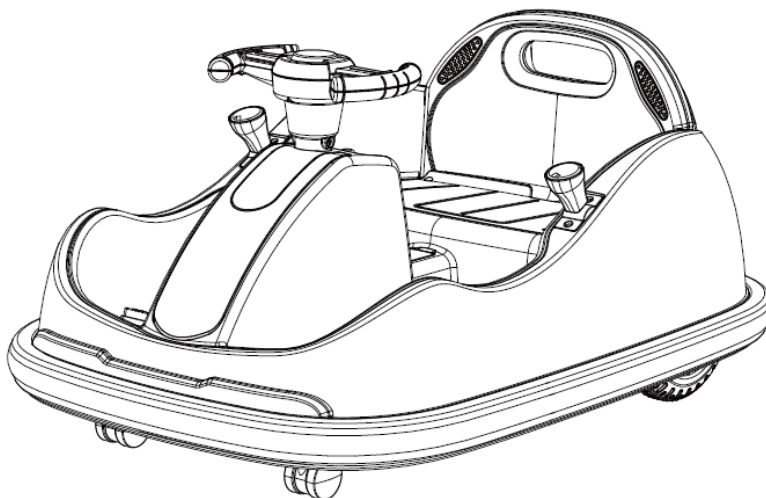
Before returning your product, please contact us first! Voltz Toys Customer Service can assist you with any replacement parts, damages, or defective issues reported. You can contact us directly at www.voltztoys.ca.

Email: help@voltztoys.ca

Phone number: 1-888-338-6589

Head Office: Unit 7-3600A Laird Rd, Mississauga, ON, L5L 6A6

USER MANUAL



MODEL: GTS1166

COMPLIANCE STANDARDS:



BUMPER CAR (RACE)

ENGLISH

- Please read the manual before using the product. The manual and carton contain important information. Please keep the manual for later references. Failure to follow the instructions in the manual may result in damages, accidents, or defective issues with the product.
- To improve the product and quality, we may alter the structure, appearance, packing method, assembly method, and product function without any notice.
- When there are any differences between the manual and the product, please refer to the actual product itself. We apologize for any inconvenience caused.
- An adult should assemble the product. All pictures shown are for illustration and reference purposes only. The actual product may vary due to product enhancement.

ABOUT YOUR NEW VEHICLE

This ride-on car will provide your child with an enjoyable riding experience. To ensure safety while using this product, please carefully read this manual and keep it for future reference.

Follow all instructions in this manual as they are designed to improve the safety and operation of this ride-on car and user.

PRODUCT SPECIFICATION

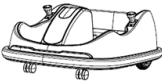
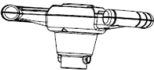
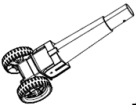







Car Model	GTS1166
Battery	6V4.5AH x2
Suitable age	18-72 months
Weight Limit	<30 kg
Product Size	80 x 54 x 40 cm
Speed	2-3 km / hour
Charging Time	8-12 hours (to charge), 60-80 minutes (while using)
Charger	Input: (depending on local voltage) Output: DC12V1000mA

BATTERY DISPOSAL

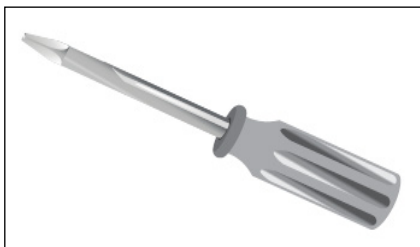


- The built-in lead-acid battery must be recycled or disposed appropriately.
- Do not dispose of the lead-acid battery on fire. The battery may explode or leak.
- Do not dispose of the lead-acid battery in household trash. Mixing

PARTS LIST

PARTS NAME	PICTURE	QTY	PARTS NAME	PICTURE	QTY
Car body	 #1	1	Steering wheel	 #2	1
Steerable wheel	 #3	1	Backrest	 #4	1
Seat	 #5	1	Charger	 #6	1
Remote controller	 #7	1	M5*38 screw	 #8	1
4*10 Tapping screw	 #9	4	M5 nut	 #10	1

ASSEMBLY TOOLS REQUIRED:



*Screwdriver (not included)

SAFETY



WARNING

TO PREVENT INJURIES AND ACCIDENTS:

- Do not lead the child unattended. Adult supervision is required.
- Always ensure supervision while the vehicle is in-use.
- This toy should be used with caution since skill is required to avoid falls or collisions, causing injury to the user or third-parties.
- Protective equipment should be worn.
- Never use the vehicle on roadways, near cars, on/near steep inclines or steps, swimming pools or other bodies of water.
- Footwear must be worn, and the user must remain seated while using.
- This vehicle is not to be used in traffic.
- This toy is unsuitable for children under 18 months due to its maximum speed; maximum user weight is 30kgs.
- This toy has no brake.

WARNING:

- Choking hazard: not suitable for children under 18 months.
- Adult assembly is required.

RULES FOR SAFE RIDING:

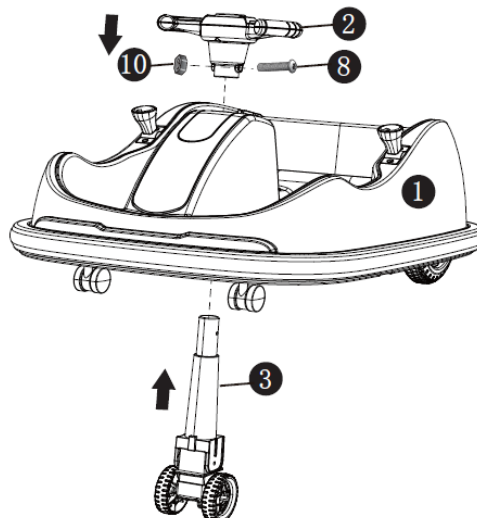
- Keep children within a safe environment while using.
- WARNING: To reduce the risk of injury, adult supervision is required.
- Never use it on roadways, near vehicles, on/near steep inclines or steps, swimming pools or other bodies of water. Footwear is required, and do not exceed the maximum number of users (1 rider only).

- Use the toy only on flat surfaces (e.g. indoors, flat concretes, etc.)
- Never use it in the dark. A child could encounter unexpected obstacles and have an accident. Operate the vehicle only in the daytime or a well-lit area.
- It is prohibited to change the circuit or add other electric parts.
- Inspect wires and connections of the vehicle periodically.
- Do not let any child near or touch the wheels while the vehicle is moving.
- This vehicle has adjustable seatbelts. Please instruct children how to tie the seatbelt before using, ensure the seatbelt is secure.

ASSEMBLY INSTRUCTION

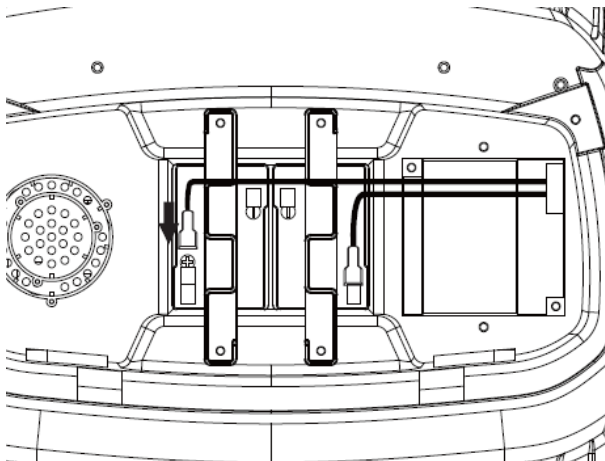
STEERING & STEERABLE WHEEL ASSEMBLY

1. Lift the car body (1), pass the steerable wheel (3) through the hole in the car (refer to diagram).
2. Install the steering wheel (2) to the steerable wheel column. Please align the four holes in the steering wheel and steerable wheel.
3. Use the M5*38 screw (8) and M5 nut (10) to fix the steering wheel on top of the steerable wheel column.



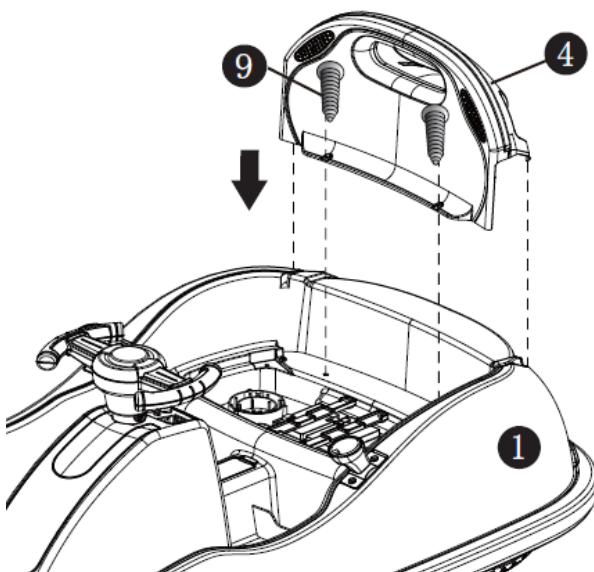
POWER SUPPLY ASSEMBLY

1. The supply terminals are not to be short-circuited.
2. Plug the (red) battery connector into the battery terminal.



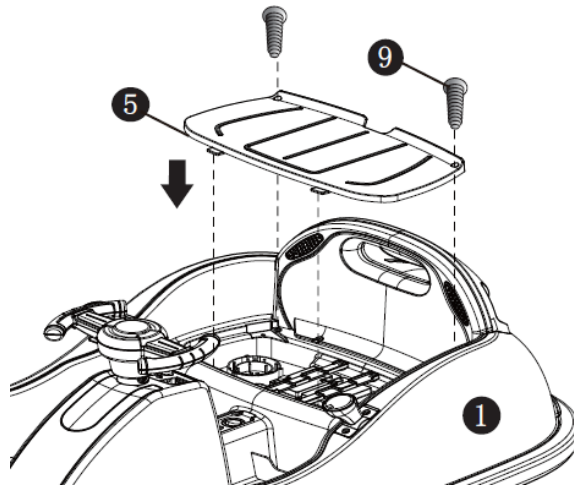
BACKREST ASSEMBLY

1. Install the backrest (4) into its corresponding position on the car body (1). Use two 4*10 tapping screws (9) to fix it.



SEAT ASSEMBLY

1. Install the seat (5) into its corresponding position on the car body (1). Use two 4*10 tapping screws (9) to fix it.



HOW TO USE YOUR VEHICLE

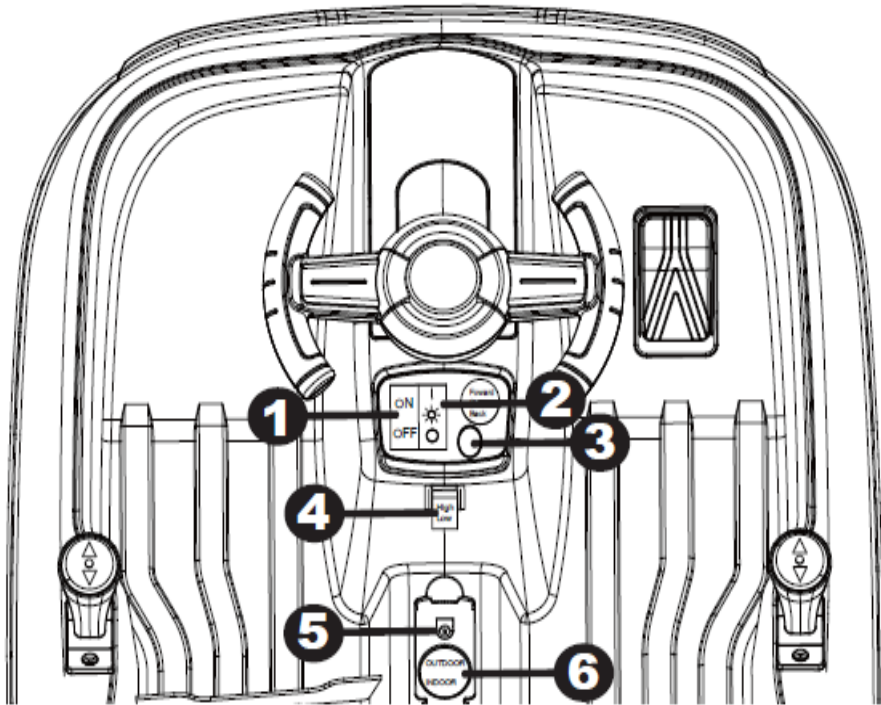
IMPORTANT!

Please stop the vehicle when changing the speed and direction as this will damage the gears and motors.

DASHBOARD FUNCTION

1. Power switch: Turn on/off the power.
2. Light switch: Turn on/off the light.
3. Music button: Turn on/off the music.
4. High-Low speed switch: Change the speed.
 - a. To move the vehicle forward at high speed.
 - b. To move the vehicle forward at low speed.
5. Input socket: Plug the charging port into the input socket, plug the charger into a wall outlet.

6. Mode switch (switch to "outdoor" or "indoor"): Can switch between different play modes.



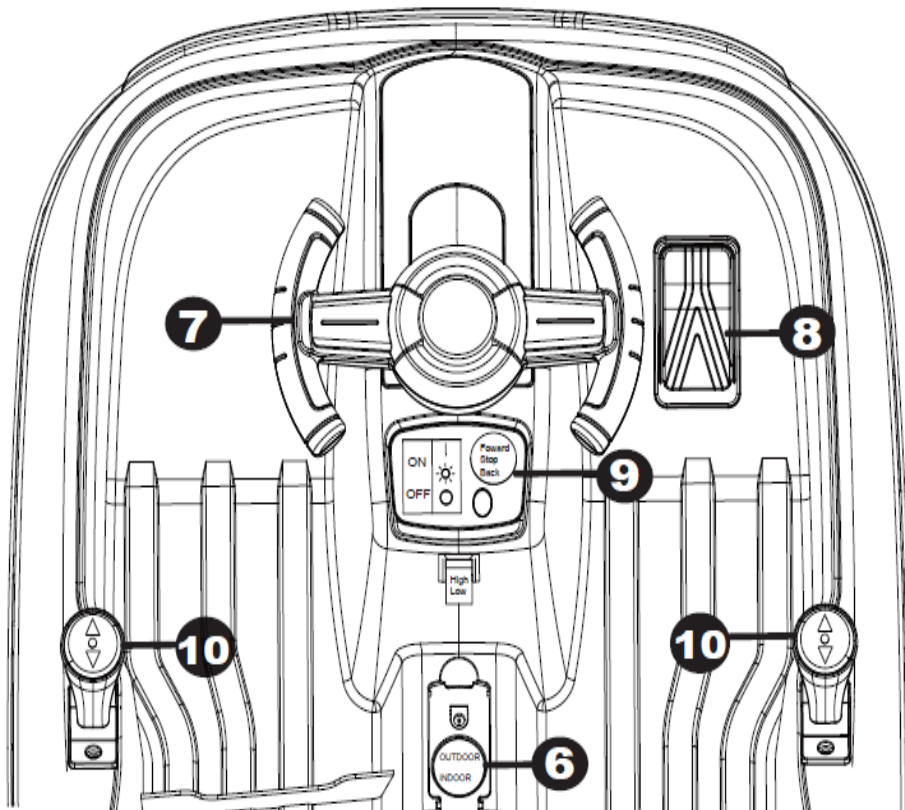
IMPORTANT!

Please stop the vehicle when changing the speed and direction as this will damage the gears and motors.

OUTDOOR INSTRUCTIONS

Please lay down the steering wheel, you will use the following switches in "outdoor" mode.

1. (6) Mode switch (switch to "outdoor"): Can switch between different play modes.
2. (7) Steering wheel: Control the direction in "outdoor" mode.
3. (8) Foot pedal: Applies power (speed) to the vehicle.
 - a. To move the car, press the pedal down.
 - b. To brake or slow down, release pressure from the pedal.
4. (9) Forward/Back switch: Press the button to change gears to move forward, back or stop.



INDOOR INSTRUCTIONS

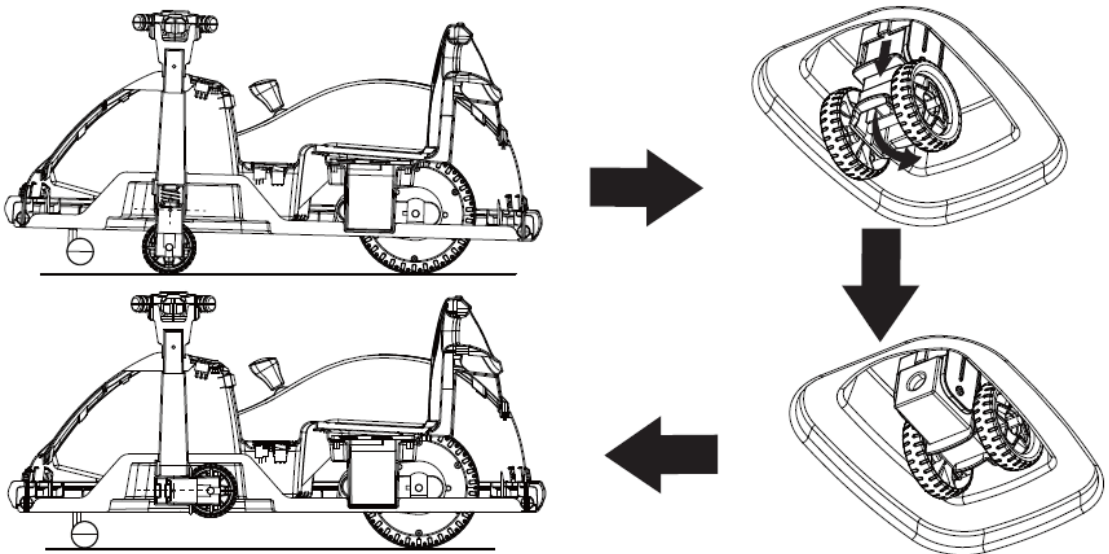
1. (6) Mode switch (switch to "indoor"): Can switch between different play modes.
2. (10) Forward/Reverse switch: Control the vehicle forward, reverse and turning.
 - a. To move forward, please push forward.
 - b. To reverse, please pull back.
 - c. To turn right or left, please push one of them or push one forward and pull another back.

***When you use the remote controller, foot pedal, forward and back switch, steering wheel, forward/reverse switch will be useless.**

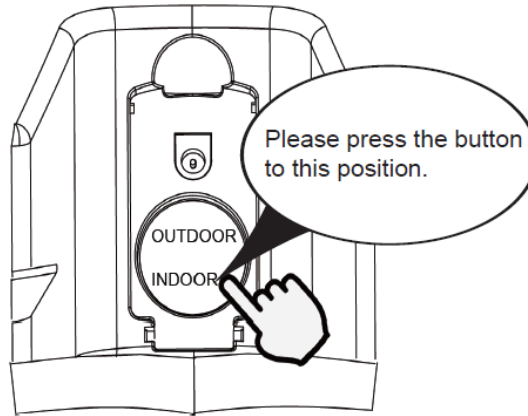
MODE SWITCHING (OUTDOOR & INDOOR)

INDOOR PLAY

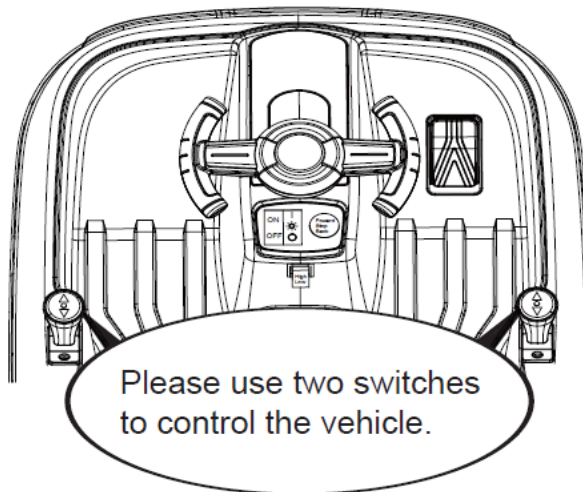
1. Lift the body, press the plastic buckle, fold up and hide the steerable wheel, the universal wheels will touch the ground.



2. Switch the Mode switch to "indoor".

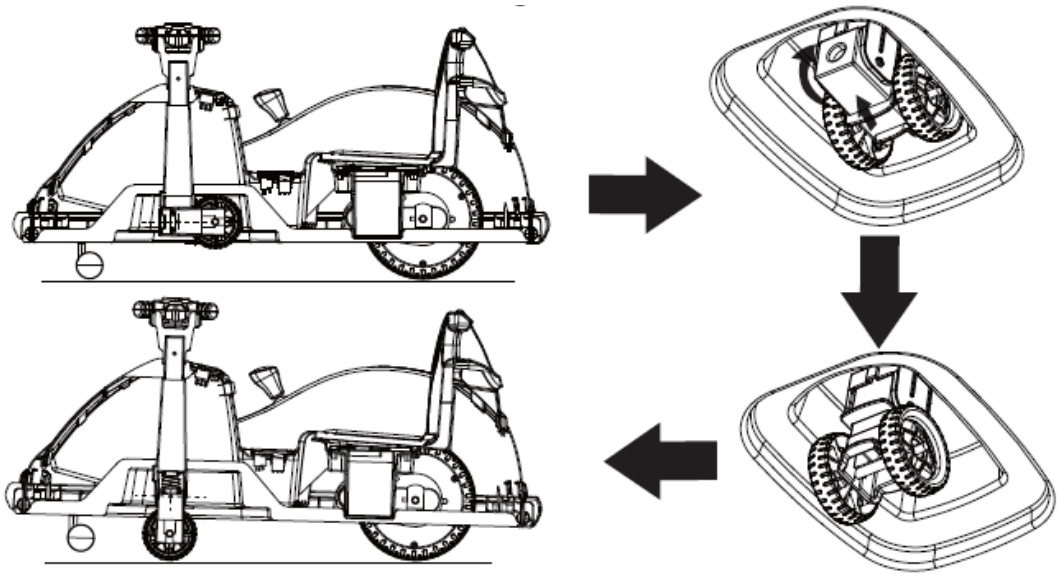


3. Move: Forward/Reverse switch to control the vehicle forward, reverse and turning. (Foot pedal, forward and back switch, steering wheel, will be useless)

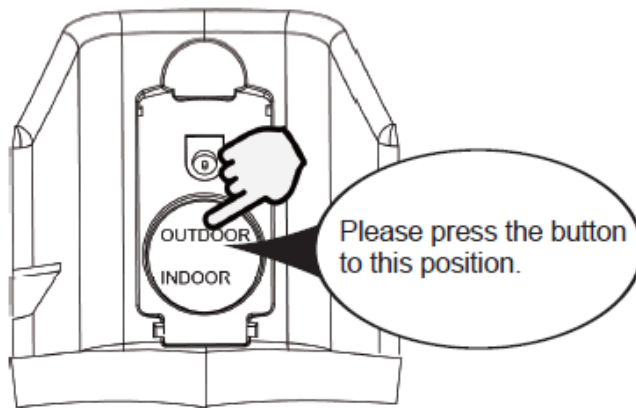


OUTDOOR PLAY

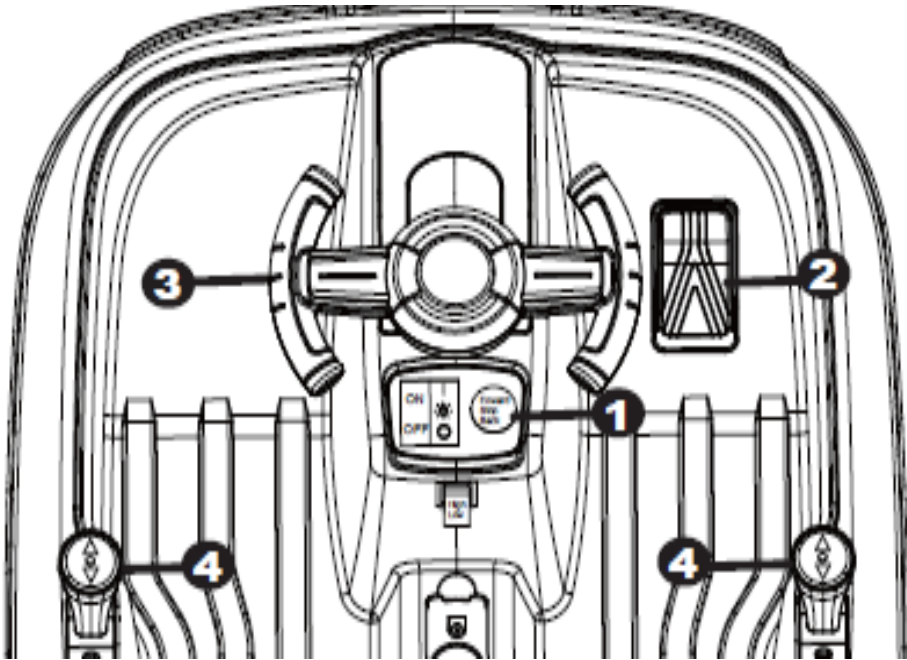
1. Lift the body, press the plastic buckle, lay down the steerable wheel, the universal wheels will be off the ground.



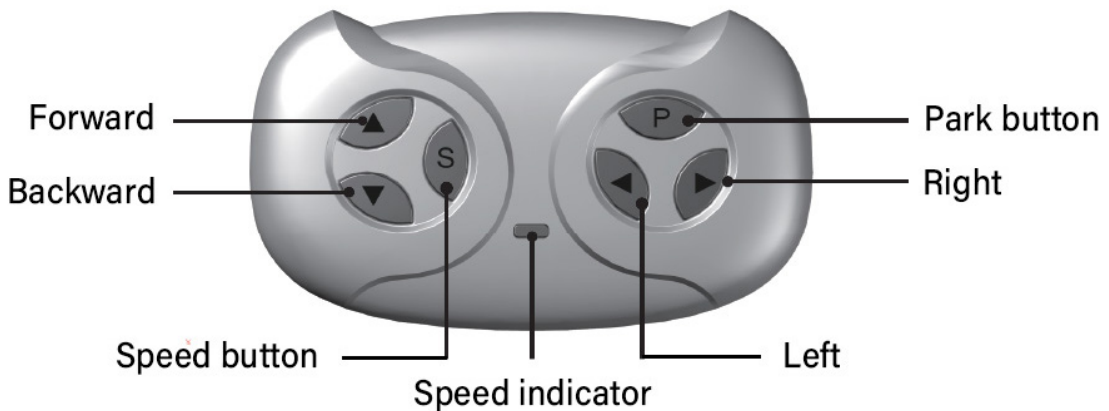
2. Switch the Mode to "Outdoor".



3. Move: Press the "Forward and Back" switch (1) to forward or back. Press the Foot Pedal (2), the vehicle will proceed to move. If you want to turn, please control the Steering Wheel (3) to turn left or right. Press the Forward and Back switch to Stop or release pressure from the foot pedal to stop the vehicle. (Forward/Reverse (4) switch will be useless.)



REMOTE CONTROL INSTRUCTION



2.4GHz Remote Control Pairing Procedures

1. To pair the remote with the vehicle, install two AAA 1.5V batteries. Unscrew and push the battery cover open on the back of the remote. Please pay attention to the positive and negative polarity in the battery holder. After installing batteries, close the battery cover.
2. Hold the "Forward" and "Backward" key together (up and down key) for 3 seconds. The light on the center will start to flash - this indicates the pairing has initiated.
3. Turn on the power from the vehicle while the remote is flashing. After turning on the vehicle, the lights on the remote will stop and stay lit. This indicates the pairing has been successful and connected to your vehicle.

Remote Instructions:

"S" Key: Speed button; adjust the speed from low, medium, or high. The light on the center of the remote will indicate the speed level.

"P" Key: Park button; disable the vehicle's movement and stay parked. The car will not run with the pedal or remote. To enable power, press the "P" button again.

WARNING

1. When operating the car with the remote, the distance between the car to remote should not exceed 10m range.
2. The remote is provided for adult's to operate. Keep away from children.
3. Before using the remote, carefully read the instruction manual, ensuring all functions are reviewed properly before operating.
4. Please switch to the "P" gear before entering the car.
5. The car should not be driven on dangerous terrain or environments. This includes the road, bodies of water, or obstacles.
6. Do not expose the remote to water or rain. Water exposure may result in circuit damage.
7. Do not mix old and new batteries, including different brands of batteries.
8. When the remote is inactive for an extended period, it is recommended to remove the batteries to avoid battery leakage and corrosion to the circuit board.
9. Do not drop or throw the remote control.
10. Install batteries with correct polarity to avoid short circuits.
11. Charging is to be done by adults. Non-rechargeable batteries can not be charged.
12. Low batteries should be removed and kept away from children. Batteries are not a toy.
13. Remove the battery if the car is inactive (at least one month) for an extended period. Properly remove and handle batteries, and keep away from children.
14. If the remote can only operate the car in less than 3 meters, this indicates the battery is low in the remote. Change the two AA batteries accordingly.

Changing the remote batteries: Unscrew the battery cover using a screwdriver. Following the arrow, press in the following direction to open the cover. Replace the batteries according to their corresponding polarity.

How to insert batteries: Use a screwdriver to unscrew the back cover of the remote. Install two AAA 1.5V alkaline type batteries according to the diagram (batteries not included). Fix the battery cover with a screw.

How to remove batteries: Use a screwdriver to unscrew the back cover of the remote. Open the cover and remove the two AAA 1.5V alkaline type batteries. Close the battery cover, fix with a screw.

WARNING

- Do not charge non-rechargeable batteries for the remote.
- Batteries for the remote must be inserted with the correct polarity.
- When the remote is low in battery, please remove and swap the batteries
- Rechargeable batteries for the remote must be charged under adult supervision.
- Rechargeable batteries must be removed from the remote before being charged.

CHARGING PROCEDURES

- For safety purposes, charging must be done by adults.
- When initially assembled, connect the (red) battery wires under the hood. Charge for 8-12 hours before using.
- The charging port is located on the dashboard. Follow the instructions to charge the battery.
- If the car is starting to slow down, this indicates the battery is low. Recharge for 8-12 hours, maximum 20 hours. Do not overcharge or undercharge.
- First, insert the charger into the charging port.
- Carefully insert the charger outlet into the power outlet. Please note the car will not turn on when the car is connected.

WARNING

1. The assembly of the car must be done by an adult. When unassembled, it contains potentially hazardous parts that are sharp or small. Please keep out of children's reach.
2. Choking hazards of small parts.
3. Not for children under 36 months. Recommended for 36-96 months.
4. Always wear shoes or footwear when using the toy.
5. RISK OF FIRE. Do not bypass. Replace only with circuit protection devices.
6. Protective equipment should be worn.

ATTENTION

- Dedicated charger and battery can only be used under manufacturer's regulations.
- Do not mix old, new or different types of batteries.
- The battery terminal should not be short circuit.
- Do not open the battery or charger.
- Do not reverse the battery.
- Before charging, please inspect the charger, battery, and plug to ensure no damages or abnormalities are found. If any damages are found, discontinue usage of the car until the parts are replaced or resolved.
- The battery may feel warm while being charged - this is normal. If the temperature from the charger does not elevate, it may be caused by a short circuit from the charger or circuit board.
- Must use the pressing plate to fix the battery.
- When the battery is no longer functional, adults are responsible for removing and safely disposing of the battery in a battery-safe disposition facility.
- When the product is inactive (at least one month), it must be fully charged. Unplug the (red) battery wire, and charge it at least once a month to ensure battery functionality and life.
- The charger and battery are not toys. Keep away from children.

MAINTENANCE AND SERVICE

1. Before using, adults are responsible for reviewing the product and essential parts are in a functional condition. Check whether screws are loose or other potential hazards. Any damaged or defective parts must be repaired or resolved before using.
2. Use a small amount of lubricant oil to moving parts to prevent rust or wear or tear (e.g. motors, gears, hardware, etc.).
3. Keep the car away from fire and direct sunlight. Store the car in a stable position and must be kept safely away from extreme temperatures or climate.
4. The car must be kept away from hot objects, such as stoves and heaters. Direct exposure to hot objects will melt the plastic. The car must be kept away from flammable materials to prevent ignition or fire when charging.
5. After using the car, charge the car adequately and must be done by an adult. If the product is inactive, it must be fully charged. Charge at least once a month to ensure battery functionality and life.
6. Use a soft cloth to clean the car. Do not use chemical solvents, soap, or water to clean the vehicle. Do not drive under precipitation (e.g. snow, rain, etc.) as this will damage the motor, battery and circuit system.
7. When inactive or discontinued, shut off all power by disconnecting the (red) battery wire, and all switches are in the "STOP" or "OFF" position.
8. Do not use third-party or different fuses.
9. Do not modify the product structure or circuit system. Maintenance and repair work must be done under the guidance of a professional or technician.
10. Do not use the product for other purposes.
11. Battery negative short circuit is prohibited.
12. Rechargeable batteries must be charged under adults' supervision. Non-rechargeable batteries can not be charged. Ensure the batteries are installed in the correct polarity.
13. Do not mix old and new batteries, including different types of batteries.

14. Low batteries should be removed from the car and kept away from children.
15. Disconnect the batteries when completely inactive or discontinued. Do not let children use the car in this state.

TROUBLESHOOTING

DEFECT	ANALYSIS	SOLUTION METHODS
The vehicle is not moving	<ol style="list-style-type: none"> 1. Battery has low voltage 2. Fuse protection 3. Wheel assembly is not correct or loose 4. Battery connections are disconnected 5. Battery is dead 6. Electrical damage 7. Motors are damaged 	<ol style="list-style-type: none"> 1. Recharge the battery for the recommended time (8-12 hours) 2. Stop using the car. Wait for a few minutes then re-use 3. Correct the wheel assembly; ensure the hardware is fixed tightly 4. Reconnect the battery wires 5. (Including 6-7) Contact the retailer for replacement parts or service. Please do not use third-party parts to repair
Battery is not charging	<ol style="list-style-type: none"> 1. Battery connections are disconnected 2. No power to vehicle 	<ol style="list-style-type: none"> 1. Reconnect the battery wires 2. Charge the vehicle using the charger
Short mileage; the run-time is shorter than the standard time	<ol style="list-style-type: none"> 1. Battery is low 2. Battery is old, or deteriorated 	<ol style="list-style-type: none"> 1. Charge the vehicle using the charger 2. Contact the retailer for replacement parts or service. Please do not use third-party parts to repair
The charger is emitting sound and is warm while charging	<ol style="list-style-type: none"> 1. Normal reaction while charging 	<ol style="list-style-type: none"> 1. Normal occurrence with the product

<p>The vehicle is low in speed</p>	<ol style="list-style-type: none"> 1. Battery is old, or deteriorated 2. Battery is low 3. The vehicle is overloaded (maximum weight capacity) 4. The vehicle is driven on irregular terrain 	<ol style="list-style-type: none"> 1. Contact the retailer for replacement parts or service. Please do not use third-party parts to repair 2. Recharge the battery 3. Reduce the user weight to <30kg 4. Use the vehicle on ideal concretes, such as pavement, concrete, or hard-wood floors
<p>Wheel or steering motor has an abnormal sound</p>	<ol style="list-style-type: none"> 1. Motor is defective 	<ol style="list-style-type: none"> 1. Reconnect the motor wire 2. Contact the retailer for replacement parts or service. Please do not use third-party parts to repair
<p>The vehicle is shaking when accelerating</p>	<ol style="list-style-type: none"> 1. The connection for the motors are not ensured 2. One of the gears inside the motor is damaged 	<ol style="list-style-type: none"> 1. Reconnect the motor wires 2. Contact the retailer for replacement parts or service. Please do not use third-party parts to repair
<p>The car operates without music</p>	<ol style="list-style-type: none"> 1. There is no battery in the steering wheel 2. MP3 wire connections may be loose 	<ol style="list-style-type: none"> 1. Install batteries inside the steering wheel 2. Reconnect the wires behind the MP3