

VOLTZ TOYS™®

A subdivision of The DAAN Groups

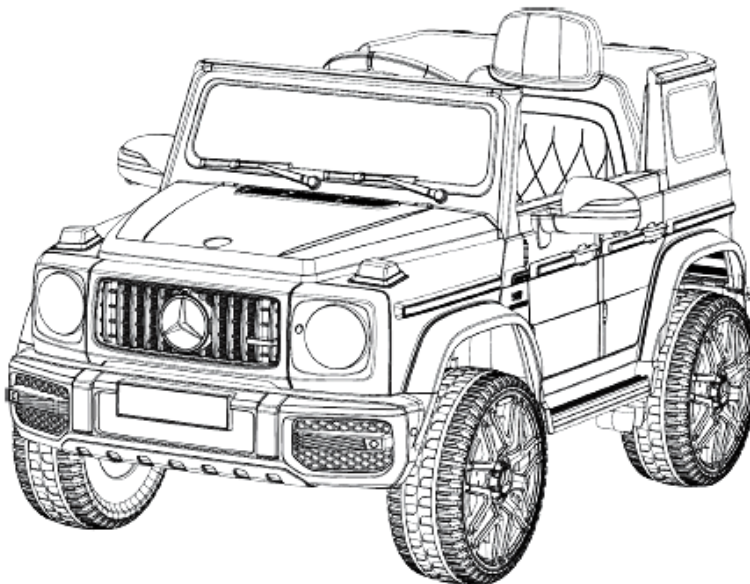
CONTACT US

Before returning your product, please contact us first! Voltz Toys Customer Service can assist you with any replacement parts, damages, or defective issues reported. You can contact us directly at www.voltztoys.ca.

Email: help@voltztoys.ca

Phone number: 1-888-338-6589

Head Office: Unit 7-3600A Laird Rd, Mississauga, ON, L5L 6A6



MODEL: 80002



COMPLIANCE STANDARDS:

SOR/2011-17

SOR/2018-138

SOR/2016-195

SOR/2016-302

SOR/2018-83

SOR/2016-188

SOR/2014-254

EN71

ASTM F963-17

CPSIA

MERCEDES-BENZ AMG G63

ENGLISH

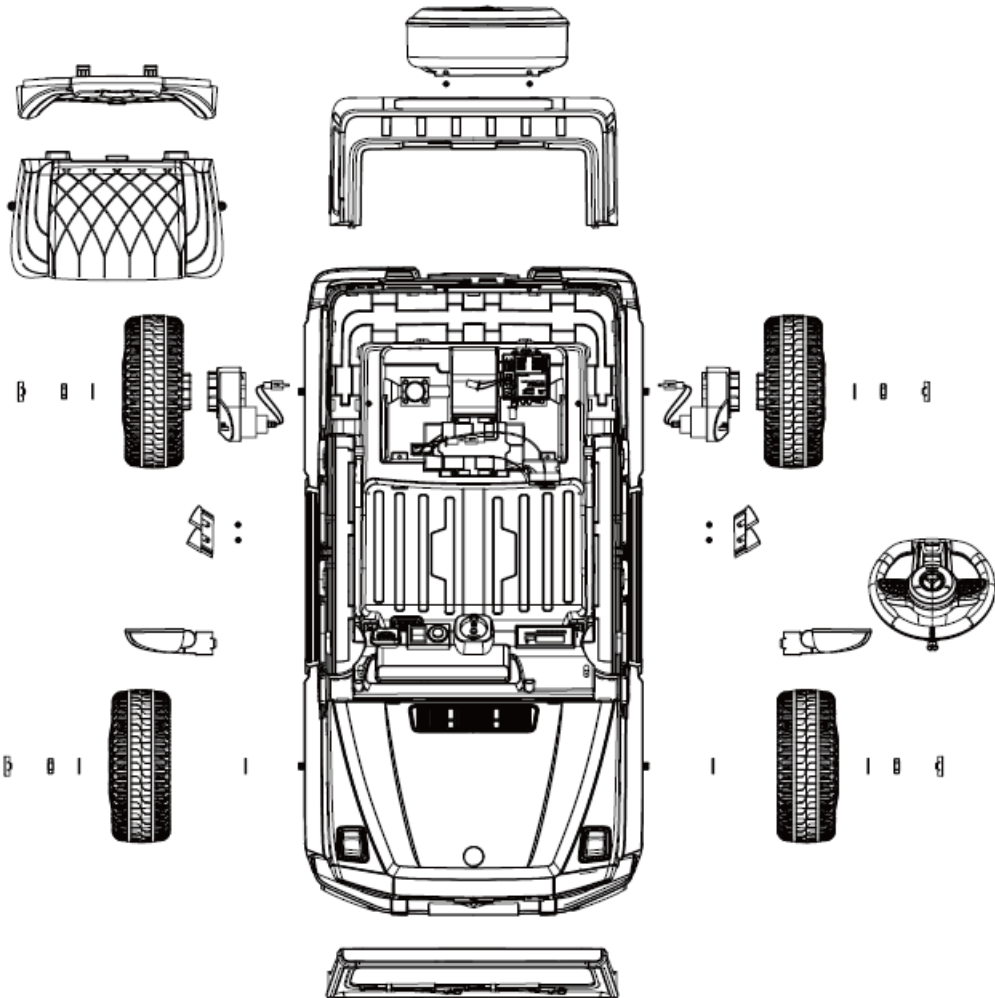
- Please read the manual before using the product. The manual and carton contain important information. Please keep the manual for later references. Failure to follow the instructions in the manual may result in damages, accidents, or defective issues with the product.
- To improve the product and quality, we may alter the structure, appearance, packing method, assembly method, and product function without any notice.
- When there are any differences between the manual and the product, please refer to the actual product itself. We apologize for any inconvenience caused.
- An adult should assemble the product. All pictures shown are for illustration and reference purposes only. The actual product may vary due to product enhancement.
- “Mercedes-Benz”; The design of the product is protected by Daimler’s intellectual property rights, Our company is authorized to use these trademarks.

PRODUCT SPECIFICATION



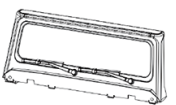
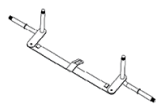
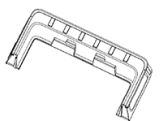











Battery	12V7AH
Electric motor	12V390 x 2 (drive) 12V380 x 1 (turn)
Suitable age	36-72 months
Weight Limit	30 kg
Product Size	110 x 69 x 56.5 cm
Speed	3-5 km / hour
Runtime	8-12 hours (to charge), 60-80 minutes (while using)
Charger	AC 220V 50Hz (input), DC 15V (output)

WARNING

An adult should assemble the product. Protective equipment should be worn. Not to be used in traffic. Not suitable for children under 3 years. Choking hazard of small parts. In an unassembled state, it contains potentially hazardous small parts. Please keep out of reach from small children. Pay attention to the potential hazards of using the toy in areas other than private grounds.



PARTS LIST

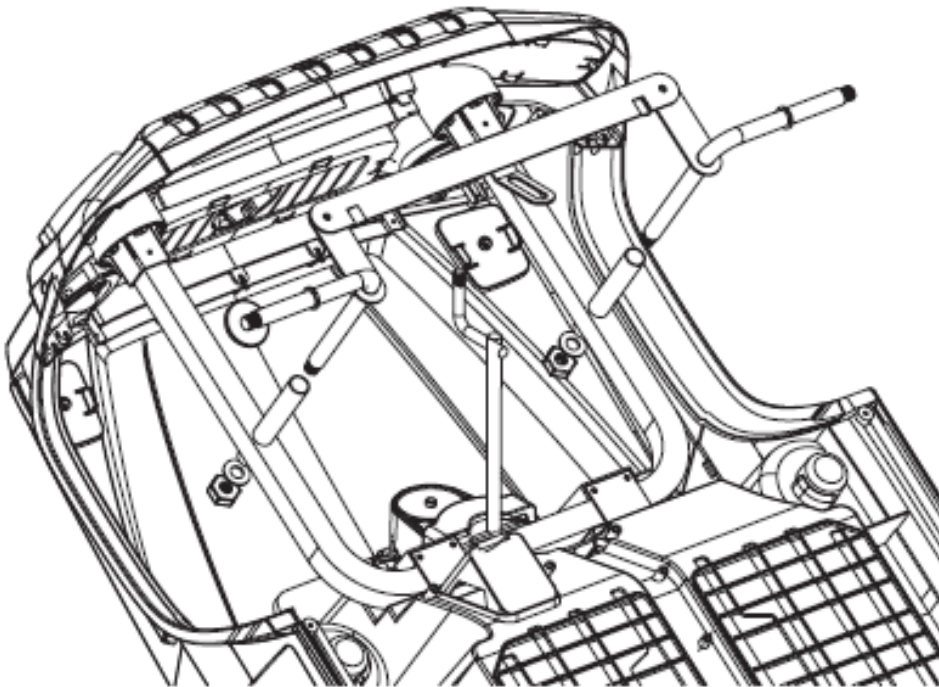
PARTS NAME	PICTURE	QTY	PARTS NAME	PICTURE	QTY
 #1	Car body	1	 #9	Side exhaust pipes (Left and Right)	2
 #2	Windshield	1	 #10	Front axle	1
 #3	Rear backrest	1	 #11	Plastic wrench	2
 #4	Seat	1	 #12	Charger	1
 #5	Steering wheel	1	 #13	Remote controller	1
 #6	Side mirror	2	 #14	Tire case	1
 #7	Wheel	4	 #15	User manual	1
 #8	Wheel cover (pre-installed on wheel)	4	 #16	Wheel hub	4

ASSEMBLY INSTRUCTION

1. FRONT AXLE ASSEMBLY

PARTS REQUIRED: PART #10

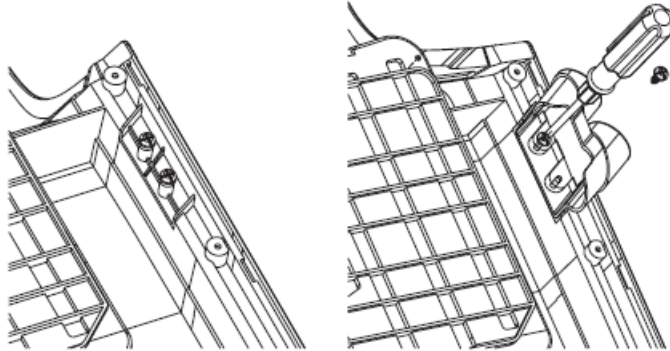
Begin the assembly with the car in an upside-down position. The front axle (#10) controls the steering for the vehicle, and is installed underneath the car at the front. Install the front axle on the car, then fix the axle with a M10 washer and M8 nut.



2. SIDE EXHAUST PIPE ASSEMBLY

PARTS REQUIRED: PART #9

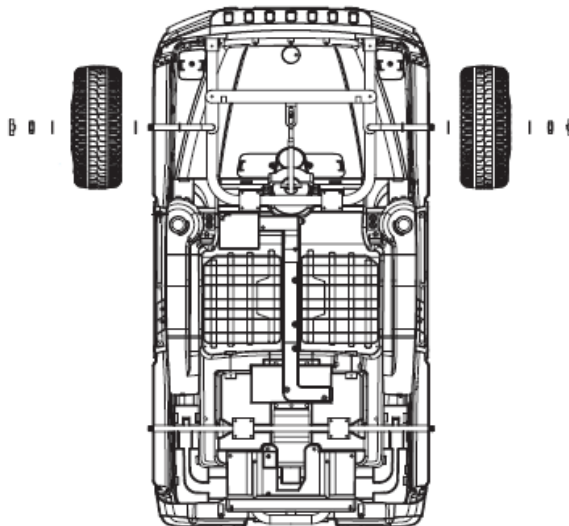
Underneath the vehicle, the provided screw holes can be located on the side. Clamp the side exhaust pipe onto the car body, then fix with two M4x12 screws.



3. FRONT WHEEL ASSEMBLY

PARTS REQUIRED: PART #7, #8, #11

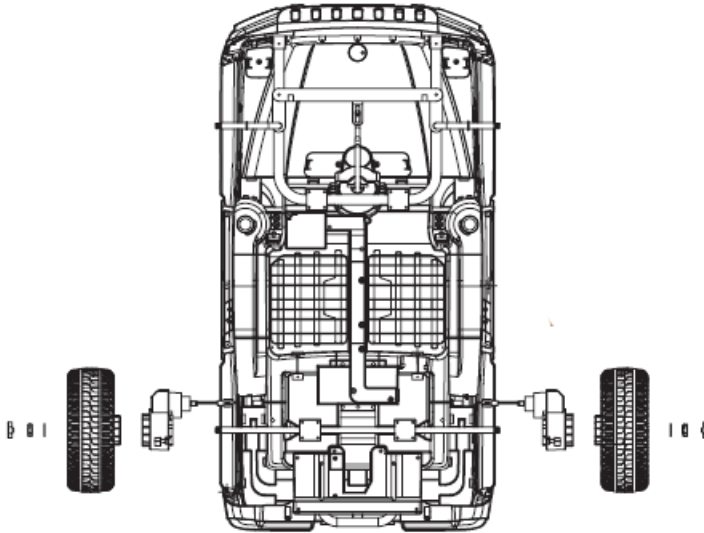
The front wheel (#7) is to be assembled in the following order. Insert the washer, front wheel, washer, and M8 nut. Tighten the nut with the plastic wrench (#11), and install the wheel cover (#8). Repeat these steps on the other side.



4. REAR WHEEL ASSEMBLY

PARTS REQUIRED: PART #7, #8, #11

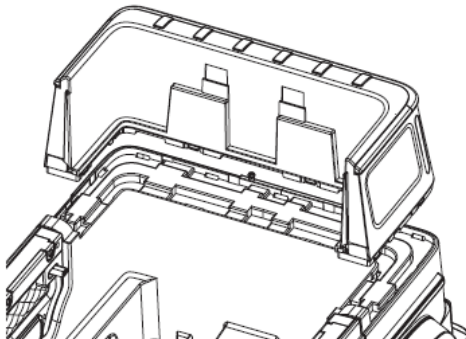
Ensure the drive motor is pre-installed on the rear axle. The rear wheel is to be assembled in the following order. Insert the washer, rear wheel, washer, and M8 nut. Tighten the nut with the plastic wrench (#11), and install the wheel cover (#8). Repeat these steps on the other side.



5. REAR BACKREST ASSEMBLY

PARTS REQUIRED: PART #3

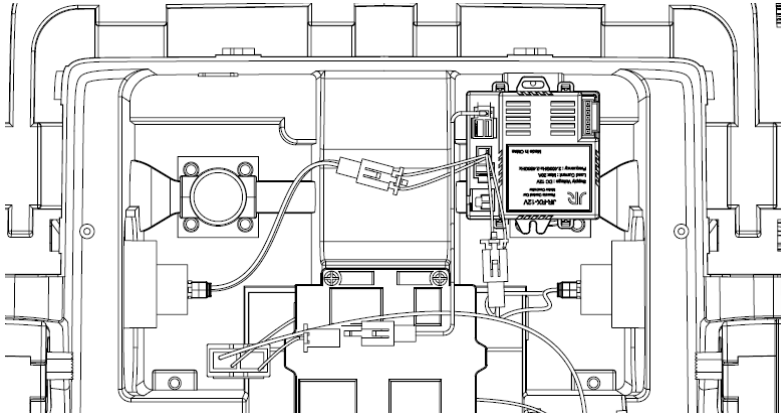
Align the rear backrest (#3) with the corresponding slots on the car body. Clamp the rear backrest, and press firmly to secure.



6. POWER CONNECTION

PARTS REQUIRED: N/A

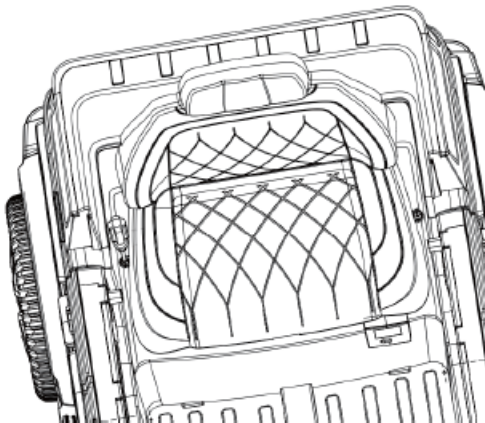
Flip the car in an upright position. Locate the battery compartment. Connect the (red) battery wire together to enable power. (Attention: The motor cables can not be connected in reverse. Once all wires are connected, please check if the car drives correctly).



7. SEAT ASSEMBLY

PARTS REQUIRED: PART #4

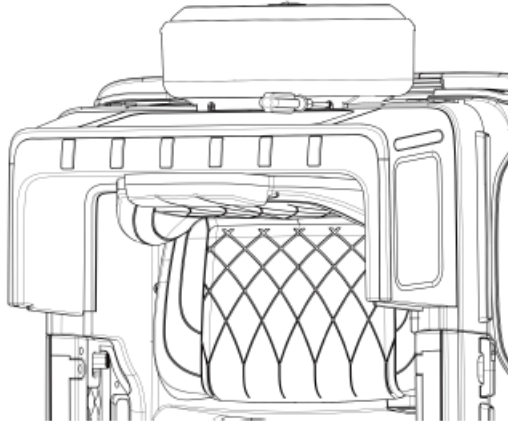
Flip the car in an upright position. Place the seat (#4) on top of the battery compartment, and ensure the screw holes are aligned onto the car body. Fix the seat with two M4x12 screws.



8. TIRE CASE ASSEMBLY

PARTS REQUIRED: PART #14

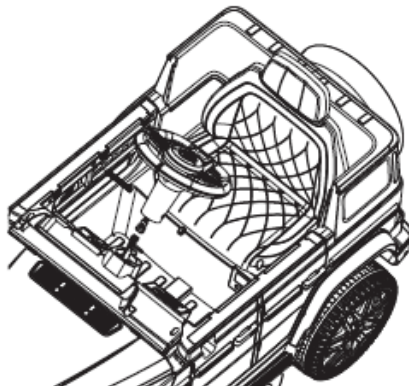
Clamp the tire case (#14) at the rear end of the car. Fix the tire case with two M4x12 screws.



9. STEERING WHEEL ASSEMBLY

PARTS REQUIRED: PART #5

Connect the steering wheel (#5) with its corresponding wire connector from the steering column. Insert the steering wheel to the steering column, and ensure the screw holes are aligned. Fix the steering wheel with a M5x40 screw and M5 nut. (Attention: Please ensure the wire is tucked into the steering column. Otherwise, the steering may twist and tear the wire)

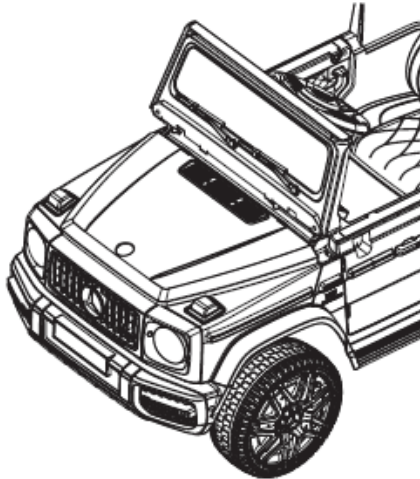


10. WINDSHIELD ASSEMBLY

PARTS REQUIRED: PART #2

Install the windshield (#2) on the corresponding slots from the car body. Press down firmly until it "snaps" into place.

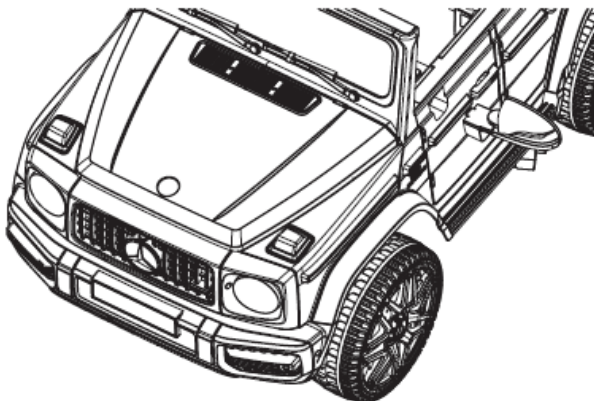
(Attention: The clips on the windshield need to be fully clamped into the slots on the car)



11. SIDE MIRROR ASSEMBLY

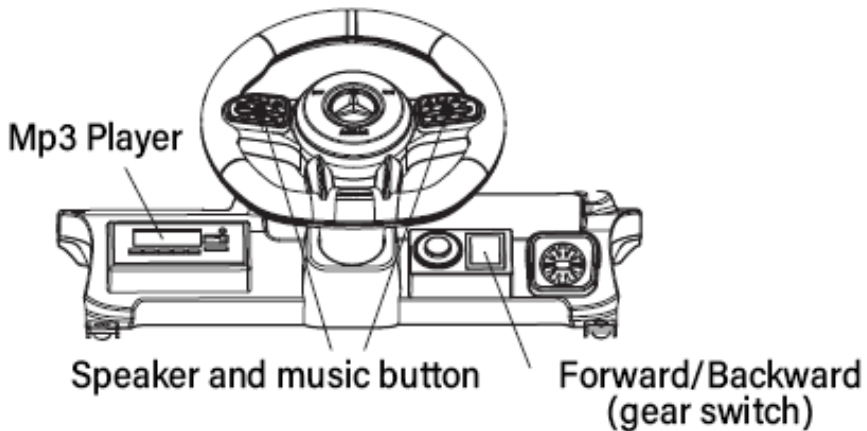
PARTS REQUIRED: PART #6

Install the side mirrors (#6) on the corresponding slots from the car body. Press firmly until it "snaps" into place.



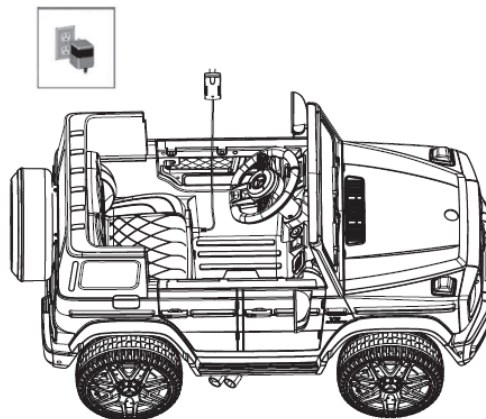
DASHBOARD GUIDE

- Power switch - Flip the power switch on, the light will emit and activate the engine start-up sound.
- MP3 Player - Built-in music, AUX port, volume adjustment, and power display.
- Steering wheel - Equipped with music and horn.
- Gear switch - Forward, stop, backward; children can switch gears for manually driving.

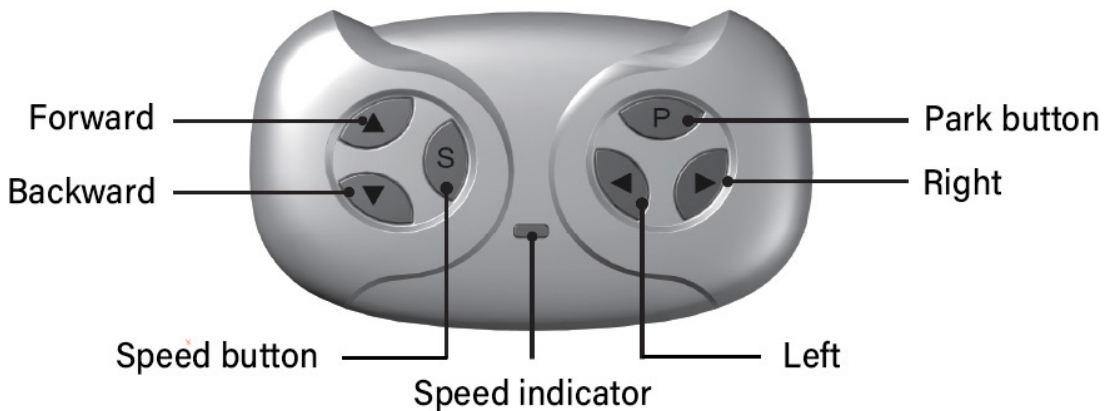


CHARGING INDICATION

When the car is low in power, please charge the battery on time. Use the provided charger to connect the vehicle's charging port to a wall outlet. The battery will begin charging.



REMOTE CONTROL INSTRUCTION



2.4GHz Remote Control Pairing Procedures

1. To pair the remote with the vehicle, install two AAA 1.5V batteries. Unscrew and push the battery cover open on the back of the remote. Please pay attention to the positive and negative polarity in the battery holder. After installing batteries, close the battery cover.
2. Hold the "Forward" and "Backward" key together (up and down key) for 3 seconds. The light on the center will start to flash - this indicates the pairing has initiated.
3. Turn on the power from the vehicle while the remote is flashing. After turning on the vehicle, the lights on the remote will stop and stay lit. This indicates the pairing has been successful and connected to your vehicle.

Remote Instructions:

"S" Key: Speed button; adjust the speed from low, medium, or high. The light on the center of the remote will indicate the speed level.

"P" Key: Park button; disable the vehicle's movement and stay parked. The car will not run with the pedal or remote. To enable power, press the "P" button again.

WARNING

1. When operating the car with the remote, the distance between the car to remote should not exceed 10m range.
2. The remote is provided for adult's to operate. Keep away from children.
3. Before using the remote, carefully read the instruction manual, ensuring all functions are reviewed properly before operating.
4. Please switch to the "P" gear before entering the car.
5. The car should not be driven on dangerous terrain or environments. This includes the road, bodies of water, or obstacles.
6. Do not expose the remote to water or rain. Water exposure may result in circuit damage.
7. Do not mix old and new batteries, including different brands of batteries.
8. When the remote is inactive for an extended period, it is recommended to remove the batteries to avoid battery leakage and corrosion to the circuit board.
9. Do not drop or throw the remote control.
10. Install batteries with correct polarity to avoid short circuits.
11. Charging is to be done by adults. Non-rechargeable batteries can not be charged.
12. Low batteries should be removed and kept away from children. Batteries are not a toy.
13. Remove the battery if the car is inactive (at least one month) for an extended period. Properly remove and handle batteries, and keep away from children.
14. If the remote can only operate the car in less than 3 meters, this indicates the battery is low in the remote. Change the two AA batteries accordingly.

Changing the remote batteries: Unscrew the battery cover using a screwdriver. Following the arrow, press in the following direction to open the cover. Replace the batteries according to their corresponding polarity.

How to insert batteries: Use a screwdriver to unscrew the back cover of the remote. Install two AAA 1.5V alkaline type batteries according to the diagram (batteries not included). Fix the battery cover with a screw.

How to remove batteries: Use a screwdriver to unscrew the back cover of the remote. Open the cover and remove the two AAA 1.5V alkaline type batteries. Close the battery cover, fix with a screw.

WARNING

- Do not charge non-rechargeable batteries for the remote.
- Batteries for the remote must be inserted with the correct polarity.
- When the remote is low in battery, please remove and swap the batteries
- Rechargeable batteries for the remote must be charged under adult supervision.
- Rechargeable batteries must be removed from the remote before being charged.

CHARGING PROCEDURES

- For safety purposes, charging must be done by adults.
- When initially assembled, connect the (red) battery wires under the hood. Charge for 8-12 hours before using.
- The charging port is located on the dashboard. Follow the instructions to charge the battery.
- If the car is starting to slow down, this indicates the battery is low. Recharge for 8-12 hours, maximum 20 hours. Do not overcharge or undercharge.
- First, insert the charger into the charging port.
- Carefully insert the charger outlet into the power outlet. Please note the car will not turn on when the car is connected.

WARNING

1. The assembly of the car must be done by an adult. When unassembled, it contains potentially hazardous parts that are sharp or small. Please keep out of children's reach.
2. Choking hazards of small parts.
3. Not for children under 36 months. Recommended for 36-72 months.
4. Always wear shoes or footwear when using the toy.
5. RISK OF FIRE. Do not bypass. Replace only with circuit protection devices.
6. Protective equipment should be worn.

ATTENTION

- Dedicated charger and battery can only be used under manufacturer's regulations.
- Do not mix old, new or different types of batteries.
- The battery terminal should not be short circuit.
- Do not open the battery or charger.
- Do not reverse the battery.
- Before charging, please inspect the charger, battery, and plug to ensure no damages or abnormalities are found. If any damages are found, discontinue usage of the car until the parts are replaced or resolved.
- The battery may feel warm while being charged - this is normal. If the temperature from the charger does not elevate, it may be caused by a short circuit from the charger or circuit board.
- Must use the pressing plate to fix the battery.
- When the battery is no longer functional, adults are responsible for removing and safely disposing of the battery in a battery-safe disposition facility.
- When the product is inactive (at least one month), it must be fully charged. Unplug the (red) battery wire, and charge it at least once a month to ensure battery functionality and life.
- The charger and battery are not toys. Keep away from children.

MAINTENANCE AND SERVICE

1. Before using, adults are responsible for reviewing the product and essential parts are in a functional condition. Check whether screws are loose or other potential hazards. Any damaged or defective parts must be repaired or resolved before using.
2. Use a small amount of lubricant oil to moving parts to prevent rust or wear or tear (e.g. motors, gears, hardware, etc.).
3. Keep the car away from fire and direct sunlight. Store the car in a stable position and must be kept safely away from extreme temperatures or climate.
4. The car must be kept away from hot objects, such as stoves and heaters. Direct exposure to hot objects will melt the plastic. The car must be kept away from flammable materials to prevent ignition or fire when charging.
5. After using the car, charge the car adequately and must be done by an adult. If the product is inactive, it must be fully charged. Charge at least once a month to ensure battery functionality and life.
6. Use a soft cloth to clean the car. Do not use chemical solvents, soap, or water to clean the vehicle. Do not drive under precipitation (e.g. snow, rain, etc.) as this will damage the motor, battery and circuit system.
7. When inactive or discontinued, shut off all power by disconnecting the (red) battery wire, and all switches are in the "STOP" or "OFF" position.
8. Do not use third-party or different fuses.
9. Do not modify the product structure or circuit system. Maintenance and repair work must be done under the guidance of a professional or technician.
10. Do not use the product for other purposes.
11. Battery negative short circuit is prohibited.
12. Rechargeable batteries must be charged under adults' supervision. Non-rechargeable batteries can not be charged. Ensure the batteries are installed in the correct polarity.
13. Do not mix old and new batteries, including different types of batteries.

14. Low batteries should be removed from the car and kept away from children.
15. Disconnect the batteries when completely inactive or discontinued. Do not let children use the car in this state.

TROUBLESHOOTING

DEFECT	ANALYSIS	SOLUTION METHODS
The vehicle is not moving	<ol style="list-style-type: none"> 1. Battery has low voltage 2. Fuse protection 3. Wheel assembly is not correct or loose 4. Battery connections are disconnected 5. Battery is dead 6. Electrical damage 7. Motors are damaged 	<ol style="list-style-type: none"> 1. Recharge the battery for the recommended time (8-12 hours) 2. Stop using the car. Wait for a few minutes then re-use 3. Correct the wheel assembly; ensure the hardware is fixed tightly 4. Reconnect the battery wires 5. (Including 6-7) Contact the retailer for replacement parts or service. Please do not use third-party parts to repair
Battery is not charging	<ol style="list-style-type: none"> 1. Battery connections are disconnected 2. No power to vehicle 	<ol style="list-style-type: none"> 1. Reconnect the battery wires 2. Charge the vehicle using the charger
Short mileage; the run-time is shorter than the standard time	<ol style="list-style-type: none"> 1. Battery is low 2. Battery is old, or deteriorated 	<ol style="list-style-type: none"> 1. Charge the vehicle using the charger 2. Contact the retailer for replacement parts or service. Please do not use third-party parts to repair
The charger is emitting sound and is warm while charging	<ol style="list-style-type: none"> 1. Normal reaction while charging 	<ol style="list-style-type: none"> 1. Normal occurrence with the product

<p>The vehicle is low in speed</p>	<ol style="list-style-type: none"> 1. Battery is old, or deteriorated 2. Battery is low 3. The vehicle is overloaded (maximum weight capacity) 4. The vehicle is driven on irregular terrain 	<ol style="list-style-type: none"> 1. Contact the retailer for replacement parts or service. Please do not use third-party parts to repair 2. Recharge the battery 3. Reduce the user weight to <25kg 4. Use the vehicle on ideal concretes, such as pavement, concrete, or hard-wood floors
<p>Wheel or steering motor has an abnormal sound</p>	<ol style="list-style-type: none"> 1. Motor is defective 	<ol style="list-style-type: none"> 1. Reconnect the motor wire 2. Contact the retailer for replacement parts or service. Please do not use third-party parts to repair
<p>The vehicle is shaking when accelerating</p>	<ol style="list-style-type: none"> 1. The connection for the motors are not ensured 2. One of the gears inside the motor is damaged 	<ol style="list-style-type: none"> 1. Reconnect the motor wires 2. Contact the retailer for replacement parts or service. Please do not use third-party parts to repair
<p>The car operates without music</p>	<ol style="list-style-type: none"> 1. There is no battery in the steering wheel 2. MP3 wire connections may be loose 	<ol style="list-style-type: none"> 1. Install batteries inside the steering wheel 2. Reconnect the wires behind the MP3