

VOLTZ TOYS™

A subdivision of The DAAN Groups

CONTACT US

Before returning your product, please contact us first! Voltz Toys Customer Service can assist you with any replacement parts, damages, or defective issues reported. You can contact us directly at www.voltztoys.ca.

Email: help@voltztoys.ca

Phone number: +1-888-338-6589

Head Office: Unit 7-3600A Laird Rd, Mississauga, ON, L5L 6A6

USER MANUAL



MODEL: SX1719



COMPLIANCE STANDARDS:

SOR/2011-17	SOR/2016-188
SOR/2018-138	SOR/2014-254
SOR/2016-195	EN71
SOR/2016-302	ASTM F963-17
SOR/2018-83	CPSIA

12V MONSTER JEEP

ENGLISH

Please read the manual before using the product. The manual and carton contain important information. Please keep the manual for later references. Failure to follow the instructions in the manual may result in damages, accidents, or defective issues with the product.

To improve the product and quality, we may alter the structure, appearance, packing method, assembly method, and product function without any notice.

When there are any differences between the manual and the product, please refer to the actual product itself. We apologize for any inconvenience caused.

An adult should assemble the product. All pictures shown are for illustration and reference purposes only. The actual product may vary due to product enhancement.

Disclaimer:

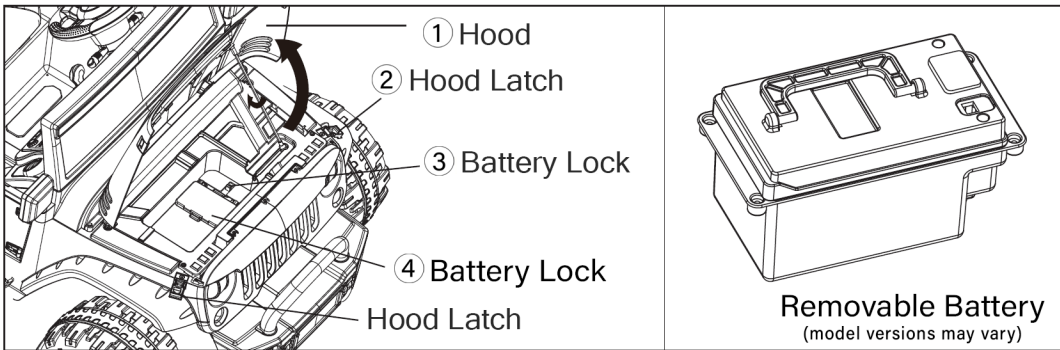
The pictures in the instructions are for assembly reference only. Please refer to the actual product.

 **WARNING**

An adult should assemble the product. Protective equipment should be worn. Not to be used in traffic. Not suitable for children under 3 years. Choking hazard of small parts. In an unassembled state, it contains potentially hazardous small parts. Please keep out of reach from small children. Pay attention to the potential hazards of using the toy in areas other than private grounds.

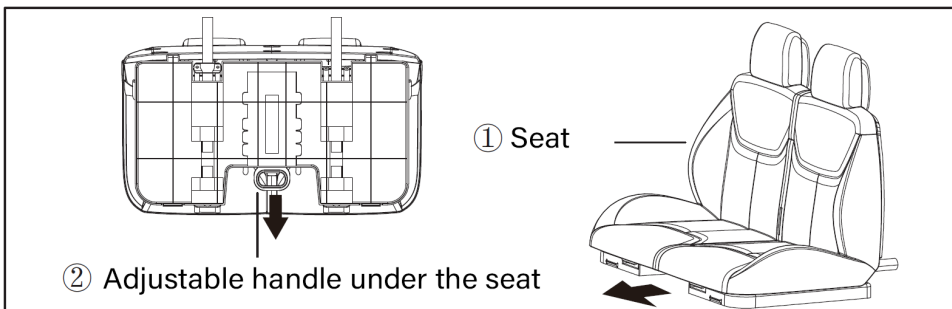
OPENABLE HOOD

The hood contains the battery and other electrical components to function the toy. Unclip the hood latches to open up the hood. Use the provided support rod to hold it open. Locate the (red) battery wire pairing, and connect securely. Removable batteries are optional. Removable batteries (model versions may vary) can be inserted and released using the quick release feature. The removable battery is equipped with the quick release lock feature and independent charging port for easy handling and mobility. Batteries can be exchanged for charging.



ADJUSTABLE SEAT

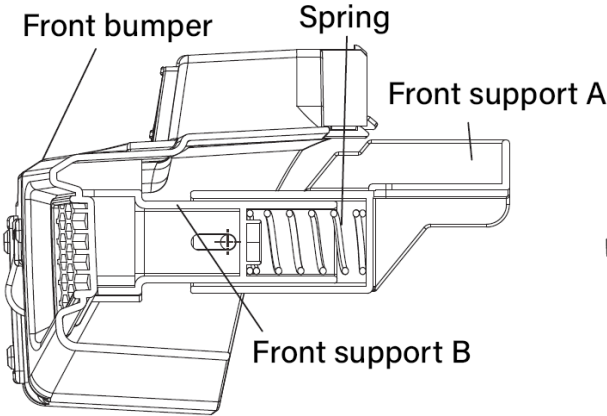
The two-seater design provides additional occupancy, allowing up to two users to ride the car at the same time. Please refer to the product sizing and dimensions for size reference. Built-in with an adjustable handle, the seat position can be adjusted located underneath the seat.



FRONT BUMPER WITH SHOCK ABSORBER FUNCTION

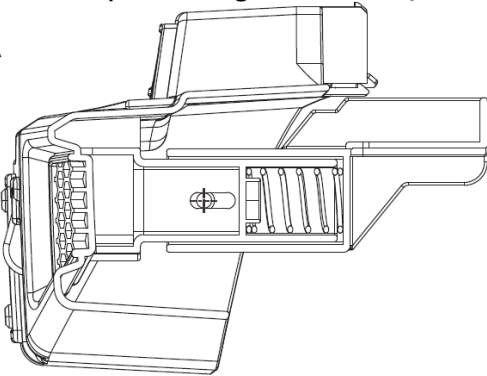
The front bumper includes a built-in spring. To ensure safety, this bumper feature minimizes injury when impact occurs.

Under normal conditions:




Under impact conditions:

(The spring provides a cushion to protect against shock)



PARTS LIST

PARTS NAME	PICTURE	QTY	PARTS NAME	PICTURE	QTY
Car Body		1	Seat		1
Rear Mirror		2	Windshield		2
Wheel		4	Steering Wheel		1
Wheel Cover		4	Front Bumper		1
Motor (2xLeft, 2xRight)		4	Remote Controller		1
Front Axle		1	Footrest		1
Top Holder A		1	MP3 Player (pre-installed)		1
Top Holder B (Including one with a cut-out)		2	Hardware Package		1
Top Holder C		1	Charger		1

PARTS NAME	PICTURE	QTY	PARTS NAME	PICTURE	QTY
Manual		1			

PRODUCT SPECIFICATIONS

Battery	12V10AH / 12V14AH
Main Material	Plastic
Suitable Age	36-96 months
Weight Limit	60 kg
Product Size	140 x 96 x 93 cm
Speed	3-8 km / hour
Runtime	Up to 90 minutes after charging for 8-10 hours
Charger	Input AC 110-220V Output DC 12V-1000mA
Fuse	Auto-reset Fuse

TABLE OF CONTENT

▪ Axles	Page 4-5
▪ Motor	Page 6
▪ Bumper	Page 7
▪ Footrest	Page 8
▪ Top Holder	Page 9
▪ Wheel	Page 10
▪ Seat	Page 11
▪ Steering Wheel	Page 12
▪ Windshield and Mirror	Page 12
▪ Battery Connection	Page 13

ASSEMBLY PREPARATION

- Adults must assemble the car.
- The product contains small items that may present choking hazards . Keep children away from assembling. Children under 36 months are prohibited from using.
- Review and count all parts carefully before assembling. Properly dispose of all plastic bags and other packaging materials.

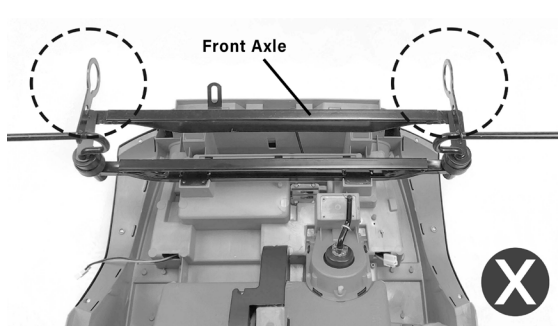
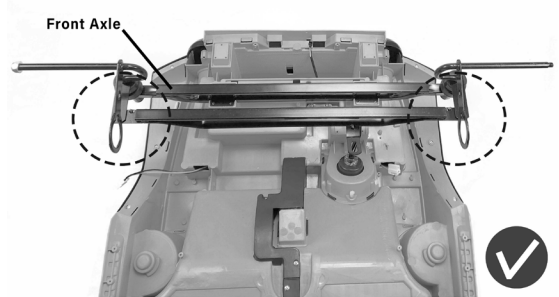
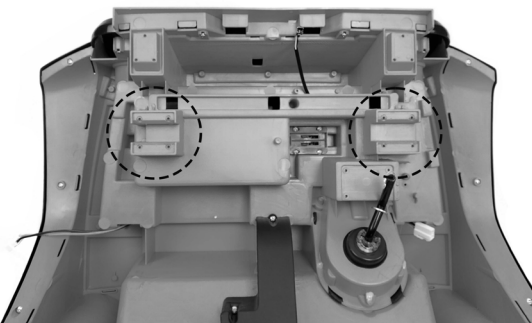
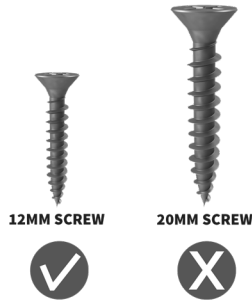
Attention: Please install the car as per the following order procedure. Otherwise, some parts can not be installed correctly.

1. AXLES ASSEMBLY

a. Front axle assembly

Begin with the car in an upside down position. Align and slide the steering rod through the hole on the front axle. Secure the steering rod with a washer and cotter pin. Fasten the front axle into the car body with screws on both sides.

Parts Required: Front Axle, 12MM Screws*8

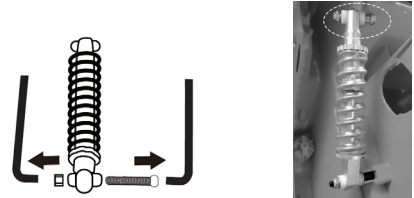


b. Rear axle assembly

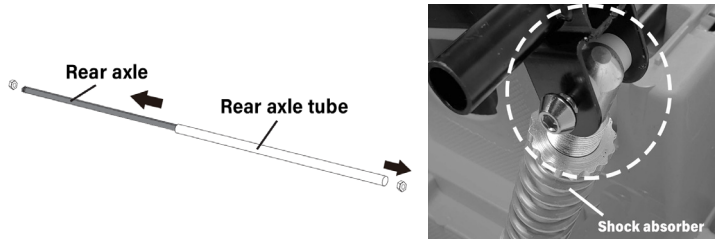
Parts Required: Springs (assembled), Rear Axle



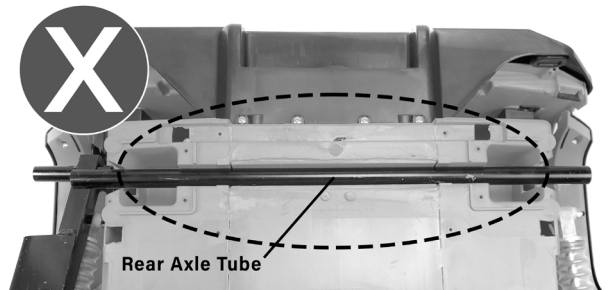
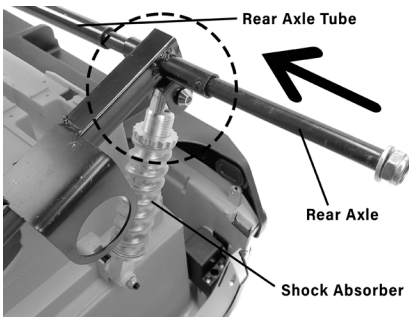
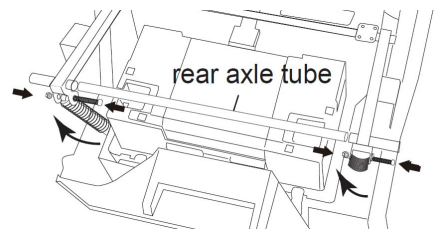
1. With the rear rod, loosen and remove the nut at one end of the axle. Pull out the rear axle from the rear axle tube.



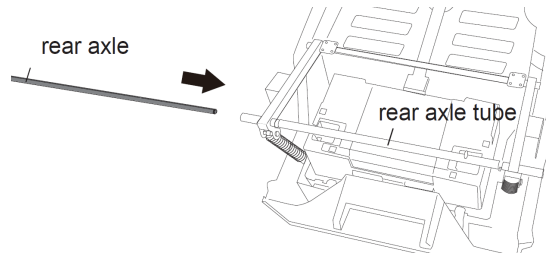
2. Align the shock absorbers with the steel frame. Fix using the hexagon spanners, then place the rear axle tube in between the steel frame as shown in the picture.



3. Once the steel frame has been fixed to the shock absorbers, align and position the rear axle tube in the middle between the steel frame.



4. Insert the rear axle rod through the steel frame from one end. Slide through the rear axle tube, and through the other end. (Ensure the rear axle tube is in the middle of the steel frame)

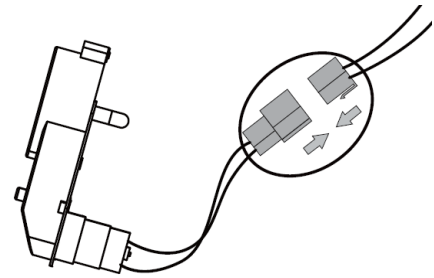


2. MOTOR ASSEMBLY

Attention: Please refer to sticker to indicate Left and Right.

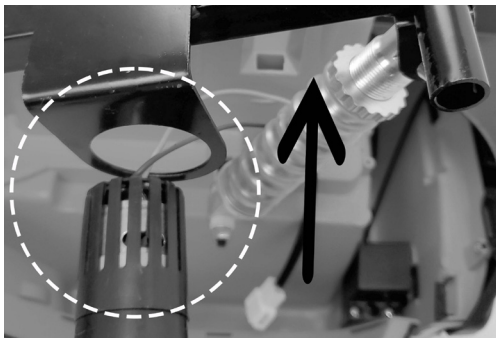
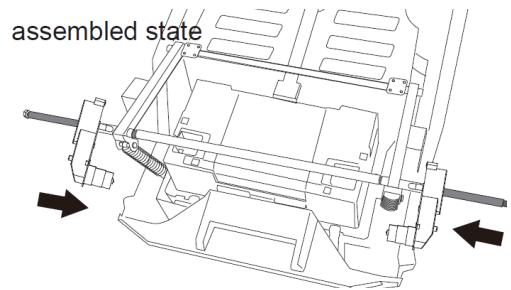
a. Front motor assembly

Attach the front motors to the front axle. Slide one motor through one end of the axle. Connect the front motor wires with their matching pair from the car body. Repeat on the other end of the front axle assembly.

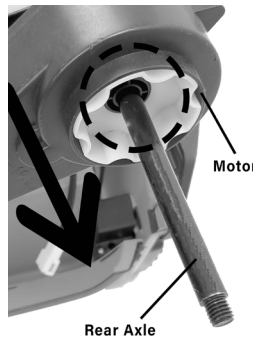


b. Rear motor assembly

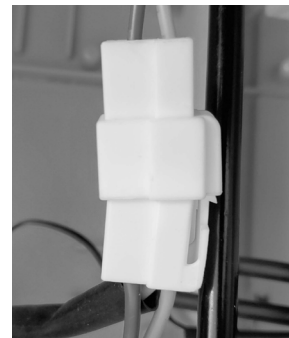
Attach the rear motors to the rear axle. Slide one motor through one end of the axle. Connect the rear motor wires with their matching pair from the car body. Repeat on the other end of the rear axle assembly.



1



2



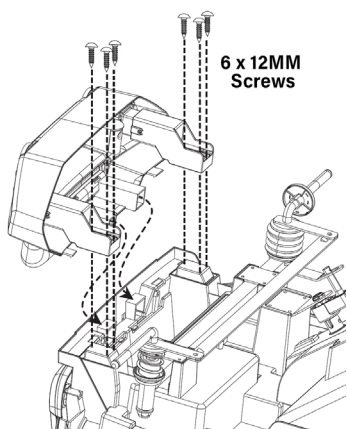
3

3. FRONT BUMPER ASSEMBLY

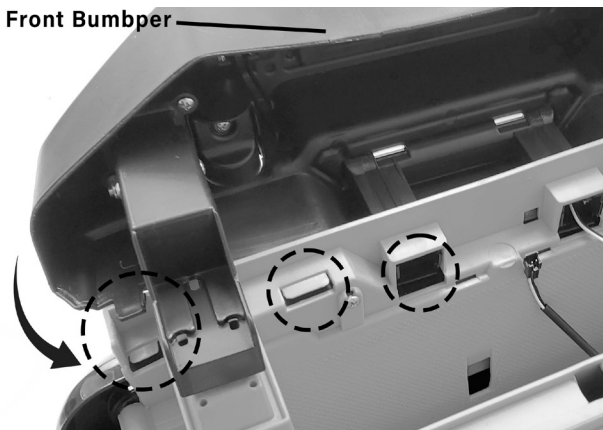
Parts Required: Front Bumper, 12MM Screws*6



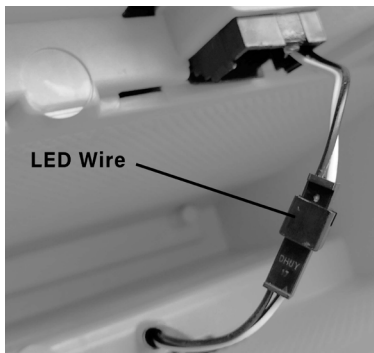
In an upside down position, align the front bumper by inserting it into its corresponding slots. Apply firm pressure to secure. Fix with three screws on each side. Locate the included LED wire, and plug with the corresponding pair located nearby the front bumper. The corresponding pair can be found from the car body.



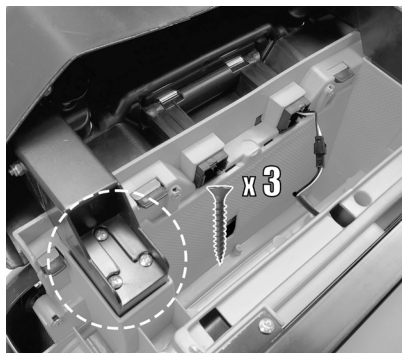
1



2



3

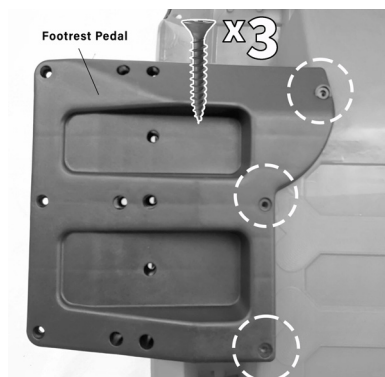
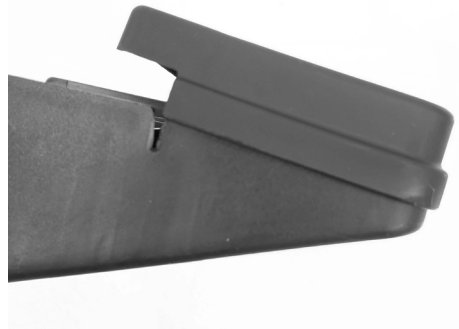
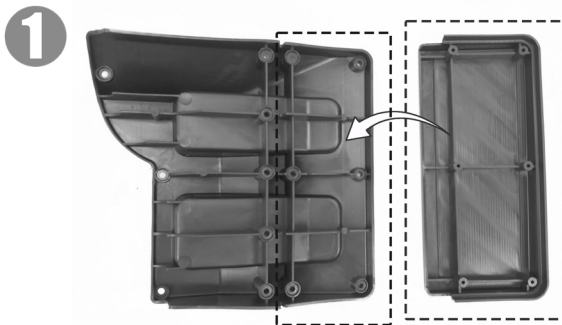


4. FOOTREST ASSEMBLY

Parts Required: Footrest Pedals, 12MM Screws*28



The footrests are assembled in two parts; one upper and one bottom footrest. Align both onto the car body, ensuring the footrests are attached properly. The top and bottom must be aligned and corrected together. Fix with screws.



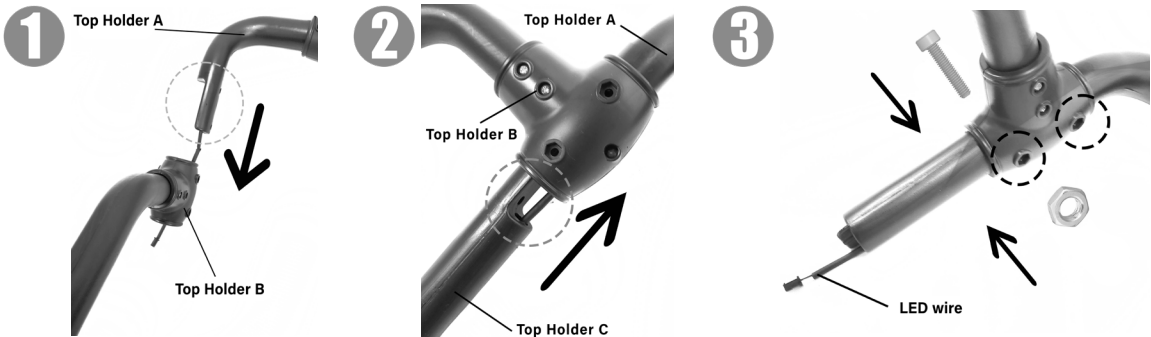
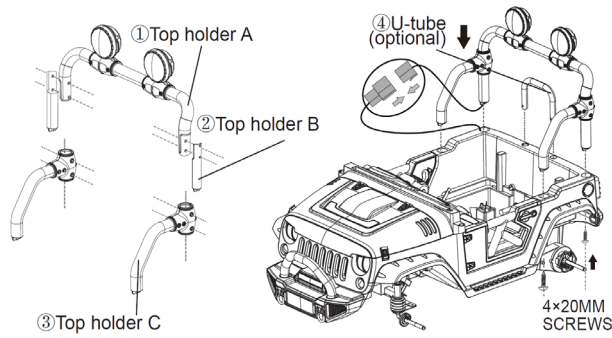
5. TOP HOLDER ASSEMBLY

Parts Required: Top Holder A, B, C, Hex Bolt, Nut Bolt, 20MM Screws*4



Position Top Holder A and Top Holder B together to align their screw holes. Together with Top Holder A and B, insert both parts into Top Holder C. When all parts are aligned, fix with a bolt and nut. The bolt and nut should pass through Top Holder A, B, and C.

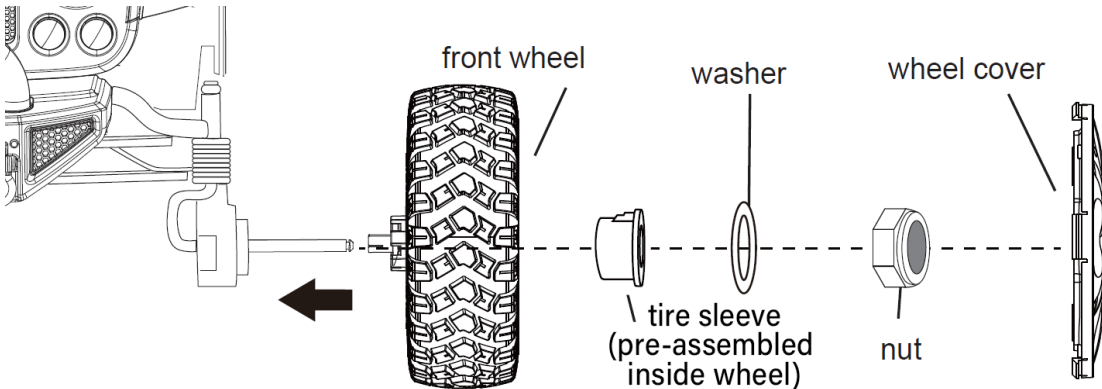
The overhead light assembly includes an LED wire, which can be inserted through Top Holder B and C. One side will have designated cut-outs for the wire to pass through. Connect the LED wire by locating its pair connector from the car body. With the entire assembled Top Holder Assembly, insert into the car body, and fix with screws underneath the car. (Attention: Please make sure you install the nut and bolt on the correct hole. The holes can be identified on their opening, either a circle or hexagon. The bolt must be inserted through the circle opening, and the nut is fixed from the hexagon opening.)



6. WHEEL ASSEMBLY

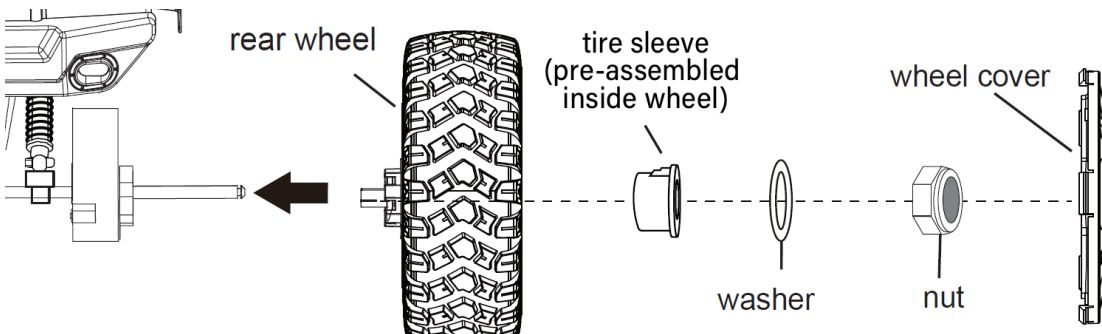
a. Front wheel assembly

The wheel is to be assembled in the following order. Insert the front wheel, tire sleeve (pre-assembled inside wheel), washer, and nut. Tighten the nut to secure, and install the wheel cover.



b. Rear wheel assembly

1. First, adjust the rear axle until the rod is equally distanced on both sides. The length must be equal on both ends.
2. The wheel is to be assembled in the following order. Insert the rear wheel, tire sleeve (included with wheel), washer, and nut. Tighten the nut to secure, and install the wheel cover.
3. Make sure one assembled wheel is in contact with the ground before assembling the other wheel. (If the other wheel can not be assembled, pull out the rear axle until it is fully extended, then re-attempt assembly).

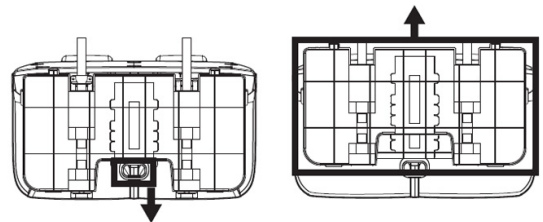
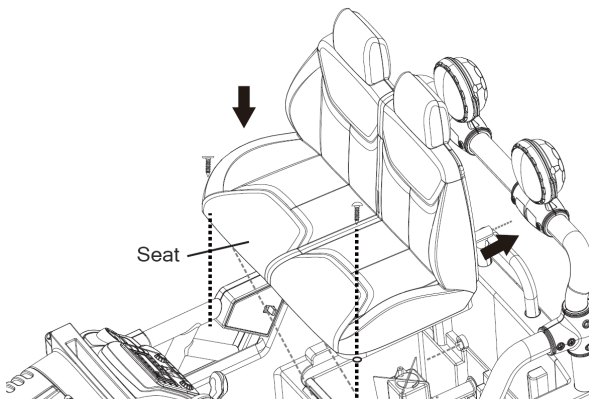
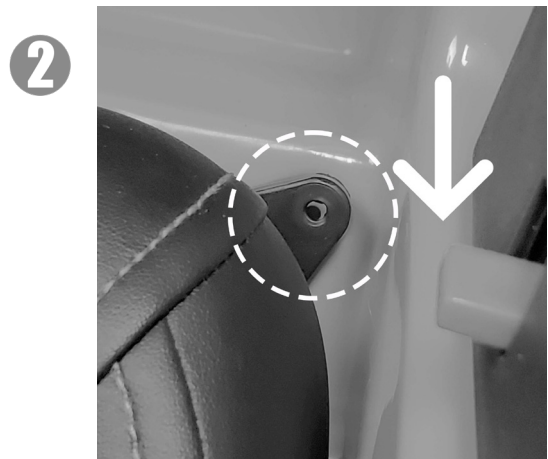
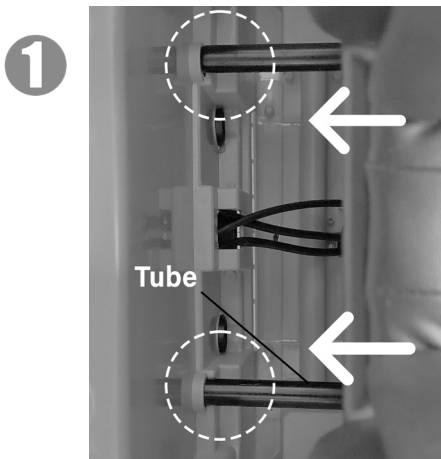


7. SEAT ASSEMBLY

Parts Required: Seat, 20MM Screws*2



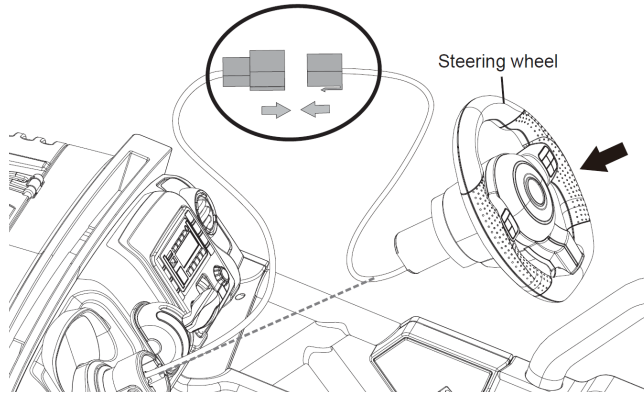
The seat has two tubes located in the back. Insert the tubes with the holes on the car body slide through until the seat is fully pushed back. The seat needs to be aligned with the screw holes on the car body. Fix with two screws on both corners. The seat position can be aligned with the adjustable handle located underneath the front-end of the seat.



*Pull the handle, push plastic base back, then assemble the seat.

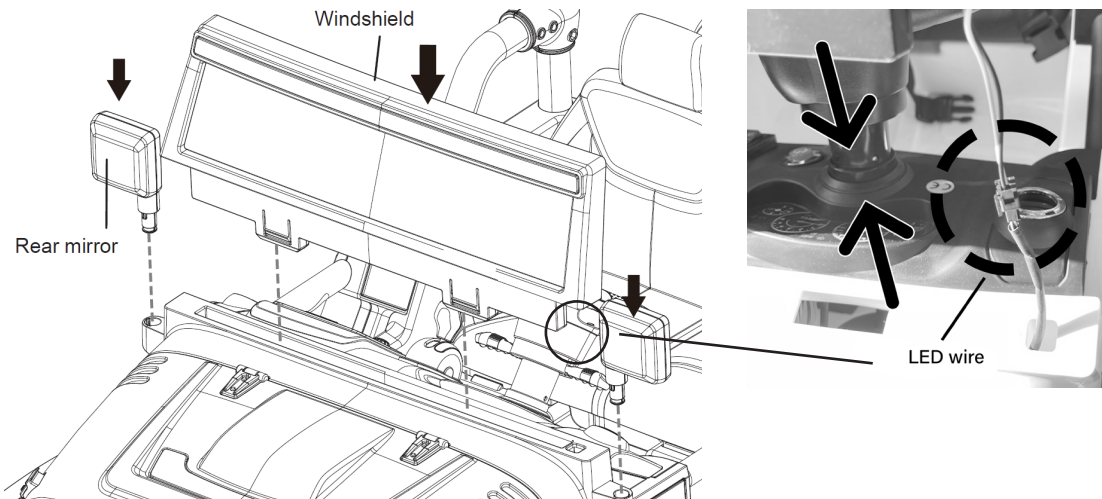
8. STEERING WHEEL ASSEMBLY

Connect the steering wheel with its corresponding wire pair from the car body. Align the steering wheel with the steering column. Push the steering wheel through by holding the two pins from the steering column. Ensure the steering wheel wire is tucked into the dashboard to avoid tearing the wire. (Attention: Please ensure the steering wheel is installed in the correct position. Incorrect positioning will cause the wire to tear while steering.)



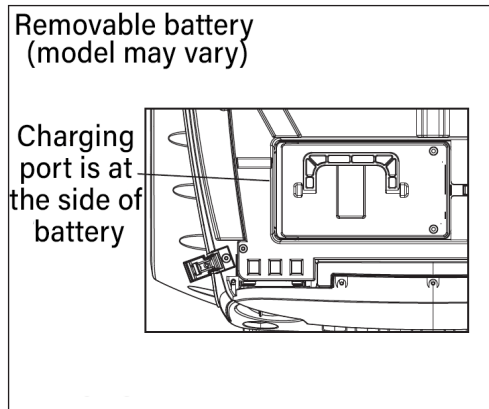
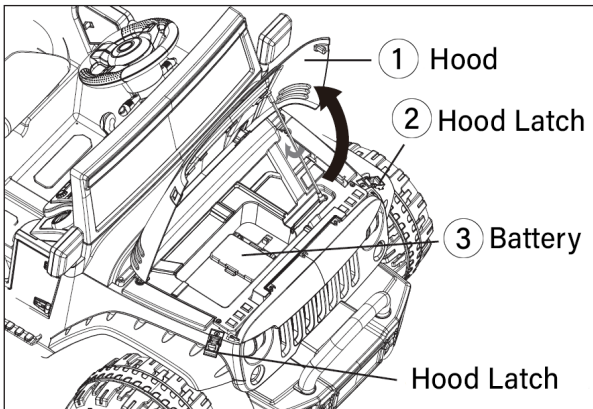
9. WINDSHIELD AND MIRROR ASSEMBLY

Insert the windshield and side mirror into their corresponding position on the car body. The windshield has a LED wire included. The pair connector for the windshield is located in the opening slot. Connect the windshield LED wire with it's pair connector from the car body.

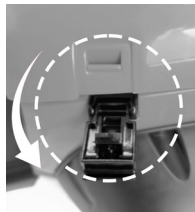
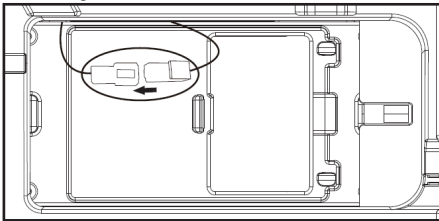


10. BATTERY CONNECTION

Open the hood by releasing the two hood latches, use the support rod to hold the hood upright. Connect the two (red) battery wires to enable power. Removable batteries are optional. Removable batteries (model versions of the product may vary) can be inserted and released using the quick release feature. The removable battery is equipped with the quick release lock feature and independent charging port for easy handling and mobility. Batteries can be exchanged for charging.



Battery connection



WARNING

- Please ensure all children are supervised and provided guidance before using. When changing gears, the car must come to a complete stop, ensuring the accelerator is released. The circuit and other parts may be damaged if the gears are changed while moving.
- This product is for recreational use only and should not be used for transportation. Please ensure adult supervision for guidance.
- Adults must ensure that children have followed the safety measures before use.

FUSE

This car is equipped with an auto-reset fuse. If the car stops suddenly while driving, it is caused by the instantaneous current exceeding, enabling the fuse to trip. This will result in the car disabling for about 8 seconds, and this fuse can be reset.

To avoid tripping the fuse:

- Do not exceed the maximum load capacity; the maximum load is 60kg.
- Do not drag any objects behind the product.
- Do not expose water or other liquids to the battery and other electrical components.
- Do not change and/or modify the circuit system and the structure of the product.

SECURITY WARNING

1. The assembly and charging routine of the vehicle must be under adult supervision at all times.
2. This product is recommended for children ages 37-95 months. Do not exceed the maximum weight limit of 60kg.
3. This product is ideal for driving on hard flat surfaces (e.g, concrete, gravel, asphalt, etc).
4. It is strictly prohibited to drive on the street, roads, potholes, and slopes.
5. Avoid driving in sand, grass, uneven ground, or other terrains that may damage the vehicle.
6. Children should be given full instructions and how to operate the car. Improper use can cause damages or accidents.
7. Parents are responsible to supervise at all times to avoid accidents while children are driving.
8. Avoid driving in the rain or flooded pathways. Exposure to water can damage the motor, circuit, and other electrical equipment.
9. Parents should inspect the battery charger to ensure it is in good working condition. Any damages or abnormalities regarding wires, plugs, or other components are prohibited to continue using. Do not use it until parts are completely repaired.

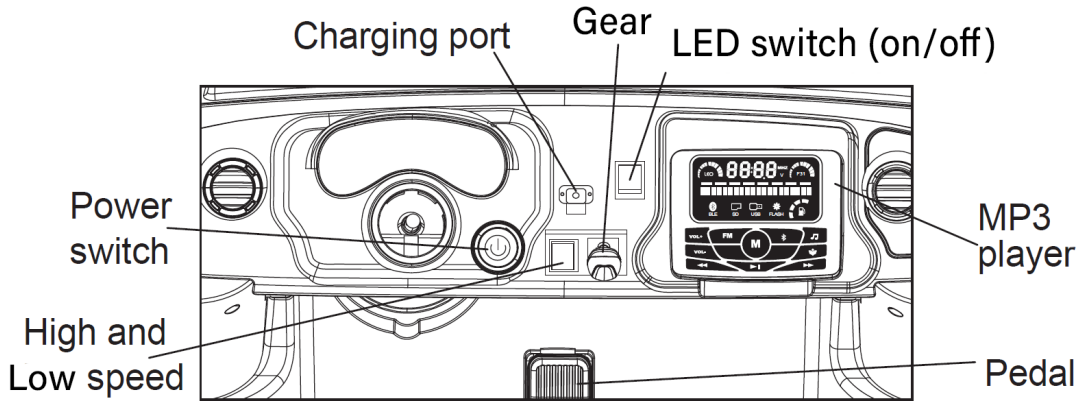
10. To maintain product life and safety, avoid damaging the charger, battery, or electrical circuit. The car must use the default configuration of the dedicated charger and power supply.
11. Rechargeable batteries should be removed from the toy before charging.
12. When inactive, disconnect the car's power by unplugging the (red) battery wire, ensuring all switches are in the "STOP" or "OFF" position.
13. The charger is not a toy. Please keep away from children.
14. Using non-manufacturer or third-party parts is strictly prohibited.
15. This product is mainly composed of PP material. The expected product-usage life is two years.

USAGE DIRECTION

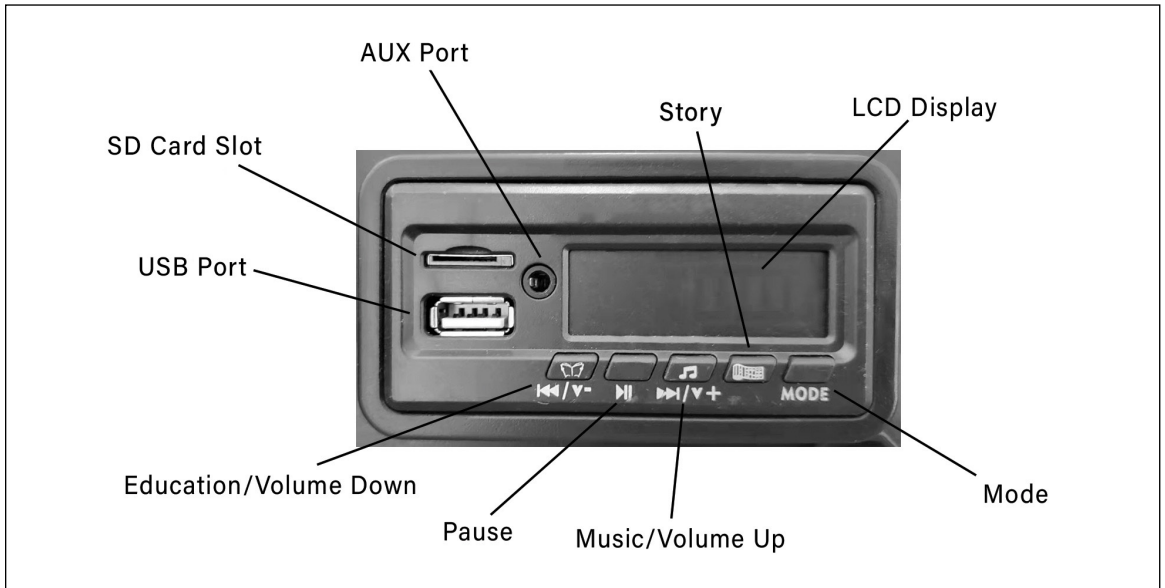
Before using the car, review the following procedures to ensure functionality:

1. All steps are followed per the instructions to complete the car's assembly. Specifically, the battery wire is connected correctly, and the power supply has been switched on to confirm functionality.
2. Make sure all parts requiring hardware are fixed tightly and correctly.
3. Adults must ensure children have taken safety measures before use.
4. To reduce accidents while using, the child must be seated at all times.
5. Follow the product's recommended seating capacity. Please do not exceed the maximum number of users to ride.
6. Adults must always supervise their children while the car is in use.
7. Adults are responsible for the care and guidance of their child while the car is in use, ensuring the child is not left unattended.
8. Pay attention to the driving environment and surfaces. Ensure the car is not driven in an unsafe environment.
9. Pay attention to the road, trenches, riverside, slopes, or uneven ground.
10. Not to be used on public roads or near ongoing traffic.
11. The car should only be used in daytime and under light for visibility. Do not use the car at night or under low visibility.
12. To avoid unexpected obstacles or events, adults must supervise at all times.

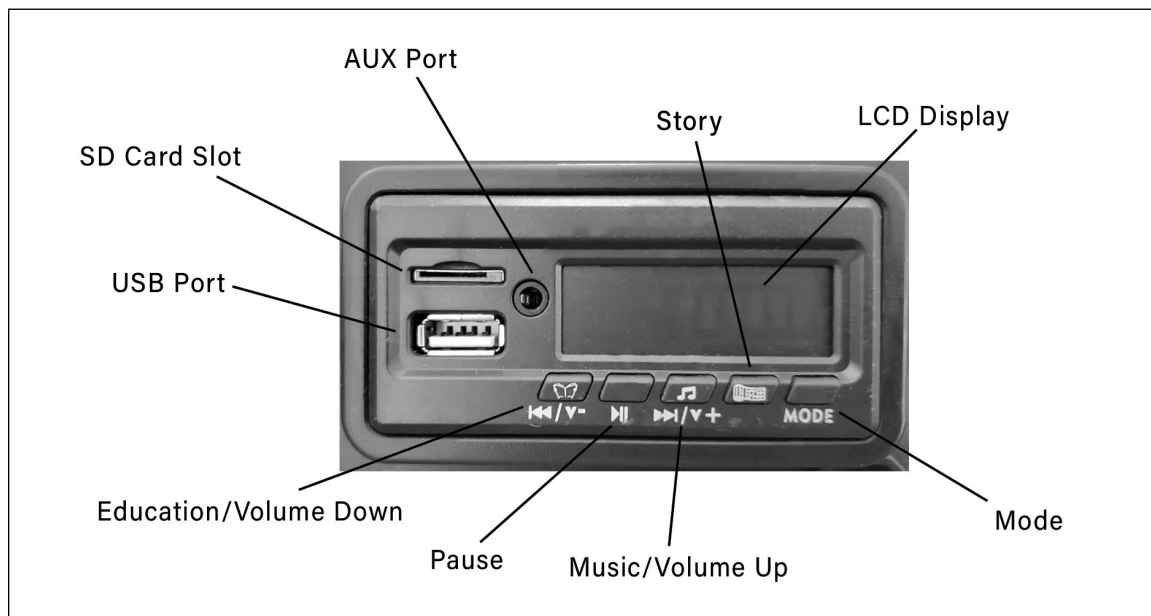
Dashboard (function reference diagram)



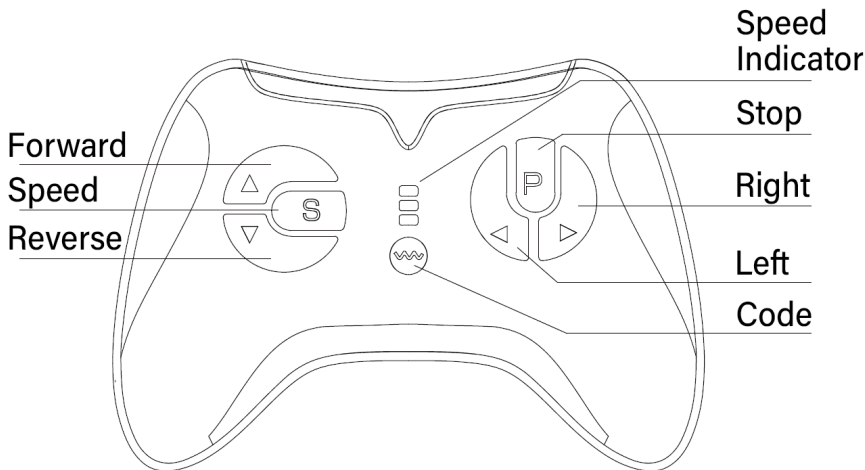
MP3 Player



MP3 Player (model may vary)



REMOTE CONTROL INSTRUCTION



2.4GHz Remote Control Pairing Procedures

This remote is equipped with a memory function to retain its connection with your car. When replacing the batteries, you do not need to re-pair the remote.

1. Hold the "M" button for more than three seconds until the center LED lights are flashing.
2. Turn the car on, the center LED lights will stop flashing and stay lit.
3. Pause for 10 seconds to confirm the connection on standby, then press any key on the remote to activate.

Remote control instructions

Key symbols: "△" Forward, "▽" Back, "◁" Left, "▷" Right, "S" Speed, "P" Stop.

- Code Key: To activate pairing.
- "S" Key - Speed button: adjust the speed from low, medium, or high. The light on the center of the remote will indicate the speed level.
- "P" Key - Park button: disable the vehicle's movement and stay parked. This will disable any movements while the light is flashing, and is inhibited to move from pedal or remote. To enable power, press the "P" button again.

WARNING

1. When operating the car with the remote, the distance between the car to remote should not exceed 10m range.
2. The remote is provided for adult's to operate. Keep away from children.
3. Before using the remote, carefully read the instruction manual, ensuring all functions are reviewed properly before operating.
4. Please switch to the "P" gear before entering the car.
5. The car should not be driven on dangerous terrain or environments. This includes the road, bodies of water, or obstacles.
6. Do not expose the remote to water or rain. Water exposure may result in circuit damage.
7. Do not mix old and new batteries, including different brands of batteries.
8. When the remote is inactive for an extended period, it is recommended to remove the batteries to avoid battery leakage and corrosion to the circuit board.
9. Do not drop or throw the remote control.
10. Install batteries with correct polarity to avoid short circuits.
11. Charging is to be done by adults. Non-rechargeable batteries can not be charged.
12. Low batteries should be removed and kept away from children. Batteries are not a toy.
13. Remove the battery if the car is inactive (at least one month) for an extended period. Properly remove and handle batteries, and keep away from children.
14. If the remote can only operate the car in less than 3 meters, this indicates the battery is low in the remote. Change the two AA batteries accordingly.

Changing the remote batteries: Unscrew the battery cover using a screwdriver. Following the arrow, press in the following direction to open the cover. Replace the batteries according to their corresponding polarity.

How to insert batteries: Use a screwdriver to unscrew the back cover of the remote. Install two AA 1.5V alkaline type batteries according to the diagram (batteries not included). Fix the battery cover with a screw.

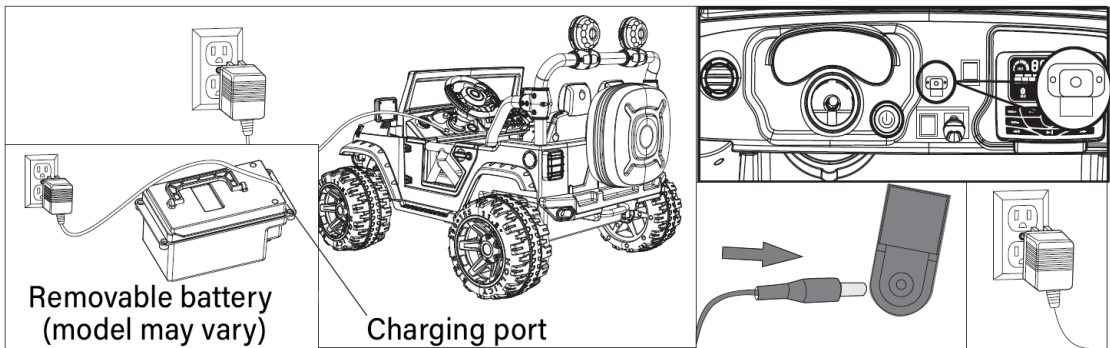
How to remove batteries: Use a screwdriver to unscrew the back cover of the remote. Open the cover and remove the two AA 1.5V alkaline type batteries. Close the battery cover, fix with a screw.

WARNING

- Do not charge non-rechargeable batteries for the remote.
- Batteries for the remote must be inserted with the correct polarity.
- When the remote is low in battery, please remove and swap the batteries.
- Rechargeable batteries for the remote must be charged under adult supervision.
- Rechargeable batteries must be removed from the remote before being charged.

CHARGING PROCEDURES

- For safety purposes, charging must be done by adults.
- When initially assembled, connect the (red) battery wires under the hood. Charge for 8-12 hours before using.
- The charging port is located on the dashboard. Follow the instructions to charge the battery.
- If the car is starting to slow down, this indicates the battery is low. Recharge for 8-12 hours, maximum 20 hours. Do not overcharge or undercharge.



1. First, insert the charger into the charging port.
2. Carefully insert the charger outlet into the power outlet. Please note the car will not turn on when the car is connected.

⚠ WARNING

1. The assembly of the car must be done by an adult. When unassembled, it contains potentially hazardous parts that are sharp or small. Please keep out of children's reach.
2. Choking hazards of small parts.
3. Not for children under 36 months. Recommended for 36-96 months.
4. Always wear shoes or footwear when using the toy.
5. RISK OF FIRE. Do not bypass. Replace only with circuit protection devices.
6. Protective equipment should be worn.

ATTENTION

- Dedicated charger and battery can only be used under manufacturer's regulations.
- Do not mix old, new or different types of batteries.
- The battery terminal should not be short circuit.
- Do not open the battery or charger.
- Do not reverse the battery.

- Before charging, please inspect the charger, battery, and plug to ensure no damages or abnormalities are found. If any damages are found, discontinue usage of the car until the parts are replaced or resolved.
- The battery may feel warm while being charged - this is normal. If the temperature from the charger does not elevate, it may be caused by a short circuit from the charger or circuit board.
- Must use the pressing plate to fix the battery.
- When the battery is no longer functional, adults are responsible for removing and safely disposing of the battery in a battery-safe disposition facility.
- When the product is inactive (at least one month), it must be fully charged. Unplug the (red) battery wire, and charge it at least once a month to ensure battery functionality and life.
- The charger and battery are not toys. Keep away from children.

MAINTENANCE AND SERVICE

1. Before using, adults are responsible for reviewing the product and essential parts are in a functional condition. Check whether screws are loose or other potential hazards. Any damaged or defective parts must be repaired or resolved before using.
2. Use a small amount of lubricant oil to moving parts to prevent rust or wear or tear (e.g. motors, gears, hardware, etc.).
3. Keep the car away from fire and direct sunlight. Store the car in a stable position and must be kept safely away from extreme temperatures or climate.
4. The car must be kept away from hot objects, such as stoves and heaters. Direct exposure to hot objects will melt the plastic. The car must be kept away from flammable materials to prevent ignition or fire when charging.
5. After using the car, charge the car adequately and must be done by an adult. If the product is inactive, it must be fully charged. Charge at least once a month to ensure battery functionality and life.

6. Use a soft cloth to clean the car. Do not use chemical solvents, soap, or water to clean the vehicle. Do not drive under precipitation (e.g. snow, rain, etc.) as this will damage the motor, battery and circuit system.
7. When inactive or discontinued, shut off all power by disconnecting the (red) battery wire, and all switches are in the "STOP" or "OFF" position.
8. Do not use third-party or different fuses.
9. Do not modify the product structure or circuit system. Maintenance and repair work must be done under the guidance of a professional or technician.
10. Do not use the product for other purposes.
11. Battery negative short circuit is prohibited.
12. Rechargeable batteries must be charged under adults' supervision.
Non-rechargeable batteries can not be charged. Ensure the batteries are installed in the correct polarity.
13. Do not mix old and new batteries, including different types of batteries.
14. Low batteries should be removed from the car and kept away from children.
15. Disconnect the batteries when completely inactive or discontinued. Do not let children use the car in this state.

TROUBLESHOOTING

<p>The car does not move or power on</p>	<ul style="list-style-type: none"> <input type="checkbox"/> The power switch is in the “OFF” position. <input type="checkbox"/> The fuse is not functioning properly. <input type="checkbox"/> The battery (red) wire is not connected properly, check the battery terminals, and the battery wire. <input type="checkbox"/> If the charger is plugged in, the car will not turn on. Unplug the charger first before turning on the car. <input type="checkbox"/> Check the pedal switch if it is disconnected or defective. <p>The wheels are stuck and cannot move; check the wheels and motors if functioning properly.</p>
<p>The car is moving slowly</p>	<ul style="list-style-type: none"> <input type="checkbox"/> If the battery is not fully charged, it will not run properly. Charge the car adequately for 8-12 hours. <input type="checkbox"/> Check the wheels and motors. Inspect the gears on the wheels, and motors if they are functioning properly. If damaged, the car will not run accordingly. <input type="checkbox"/> The car has a maximum weight capacity. If the user weight exceeds the recommended weight, the car will not run at full speed.
<p>The battery does hold a charge</p>	<ul style="list-style-type: none"> <input type="checkbox"/> If the charger is defective. The charger must be showing a red or green light depending on the status of the battery. If the light is not showing, changing from red to green, or staying one color, the charger may be defective. <input type="checkbox"/> The battery life has deteriorated. Please use a voltmeter to verify the voltage post-charge. If it falls below the standard voltage amount, please replace the battery. <input type="checkbox"/> If the charging port between the charger and battery is defective. The charging port provides electricity output between the charger and battery. If the charging port is defective, then the battery can not charge.