



# Air Max

## Technical Specifications

220-240 v 50/60 Hz

5 amp current

850 W (1.14 HP)

19 kg weight

Polyethylene body

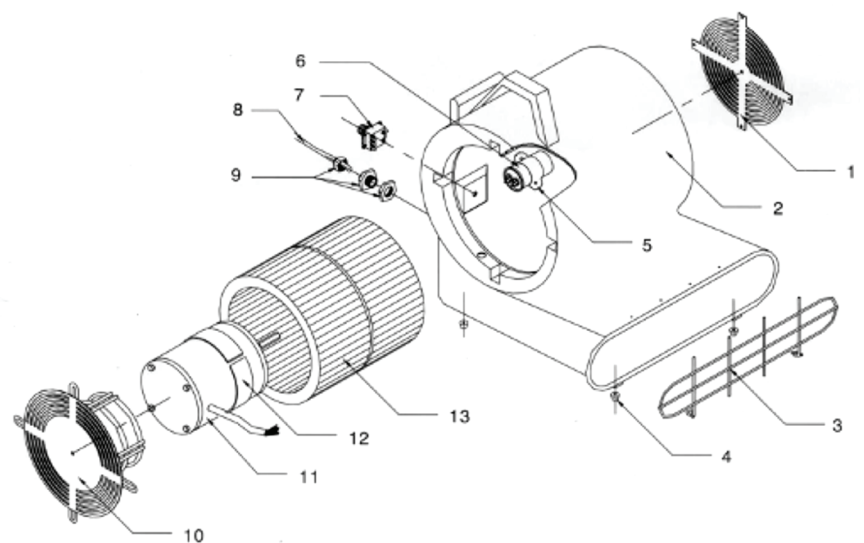
3 speed

Low 1080 rpm

Medium 1200 rpm

High 1350 rpm

Max CFM 3670



## OPERATING / SAFETY INSTRUCTIONS

Always check the power cable before operation to ensure there are no damaged or exposed wires, if there are then the cord must be replaced by a qualified electrician before use.

The appliance is not to be used by persons (including children) with reduced physical, sensory or mental capabilities, or lack of experience and knowledge, unless they have been given supervision or instruction. Children must be supervised so that they don't play with this appliance.

Your Air Max should be tag certified against any electrical defect every 6 months by an electrician.

Always use an RCD (residual current device) when operating your Air Max in damp conditions.

Never turn on your Air Max unless it is firmly positioned on the ground.

Always make sure that the side air intake mesh covers are free of blockage and debris that may prevent air entering the blower fan.

Operating the unit with blocked intakes may cause damage. It is advisable to check side air intakes and fan blades inside the snout, for blockages prior to using.

Never operate your Air Max in standing water or conditions where the dryer may get wet.

Never pull the unit by its power cord or attempt to unplug the unit by pulling on the power cord.