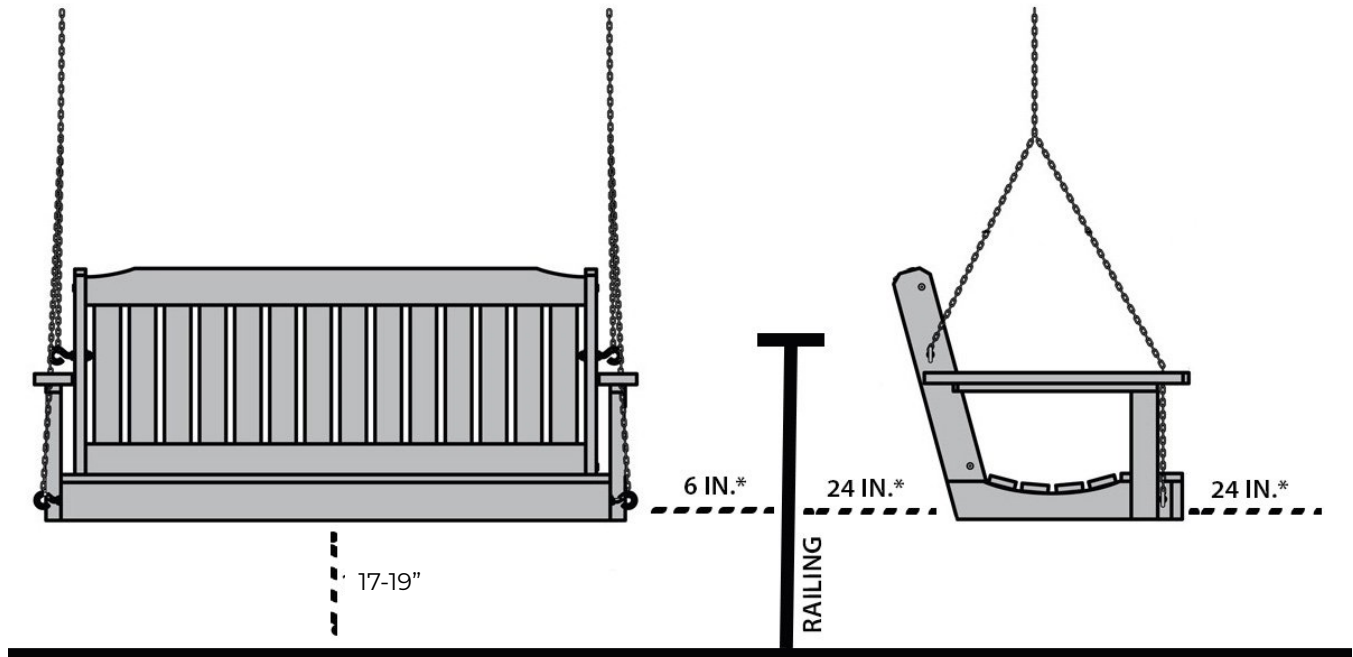


## PORCH SWING SPACING RECOMMENDATIONS



**\*RECOMMENDED MINIMUM SPACING.  
SOME CUSTOMERS HANG WITH LESS SPACE, BUT IT MIGHT MAKE CONTACT ON OCCASION.**

*Please note: Our suggestions in this guide are for informational purposes only. Always use the instructions that come with your swing.*

### **(Hang From a Ceiling)**

Make sure you have the adequate ceiling beams. The support beam or joist needs to be strong enough to support the weight of the swing and the people sitting on it. Your joists should be 2x6 or larger. Do not hang your swing from ceiling covering, such as plywood or beadboard. If you are unsure on whether the material will be sufficient, have a skilled professional decide for you.

Next, mark the location of your porch swing hangers. To achieve a comfortable swinging distance, position your hangers at least 2.5 feet from the wall behind the swing; ideally 3 feet.

Measure 3 feet out the wall with a tape measure. Mark 2 points for the ceiling joist locations.

Drill pilot holes so you do not split the wood. A pilot hole is a small hole drilled as a guide for the insertion of a the hanging hardware. Then, screw your hangers into the joist or overhead beam and hang your chains.

You will want your porch swing to be 17 to 19 inches off the ground for the ideal comfort. Two 8ft chains will accommodate ceilings 8-9ft tall. If your ceilings are 12ft tall, you will need 11ft chains to hang your swing.

Finally, set your swing down on the ground directly below your hangers. Place a ladder directly behind the swing and have someone lift the swing up as you climb the ladder to connect the top chains onto the swing hangers. Once you have attached the longer chain, tilt the swing back about an inch and adjust the shorter chain to your comfort. And that's it! You've completed the installation of your new, spectacular porch swing! Now you can lounge away until your heart is content. If you need a good checklist, you can get one here.

### ***(Hang From a Tree Limb)***

Your first instruction is making sure you choose a strong limb that can support the combined weight of your porch swing and you.

Important: Protect the tree limb from chain abrasion by using a rubber hose. Do not screw fasteners into the tree.

Secure your chains around the limb with a rust-resistant bolt. Remember to add a few inches to the position of your chains for the swing's length. And please follow good safety practice when working from trees.

Follow steps 3 and 4 from "Hanging From a Ceiling" to complete your installation.

### ***(Using an Porch Swing A-Frame)***

The easiest way to set up your swing is through an A-frame. As the name implies, this frame is self-supporting and free-standing. All you need to do is fasten your bolts and chains to it, then hook your porch swing up. These A-frames come in an array of material options such as natural woods and metals.

## Chain Length Standards

Required: 17"-19" of Space Between Bottom of Swing and Ground

### Typical Porch Ceiling Height

A) 8-9ft. (Ceiling Height)

### Total Amount of Chain Needed To Hang a Swing

16ft. Chain Length = (2) 8ft. Chains  
 192in. Chain Length = (2) 96in. Chains  
 488cm. Chain Length = (2) 244cm. Chains  
 5 $\frac{1}{3}$  yd. Chain Length = (2) 2 $\frac{2}{3}$  yd. Chains

### Tall Porch Ceiling Height

B) 12ft. (Ceiling Height)

### Total Amount of Chain Needed To Hang a Swing

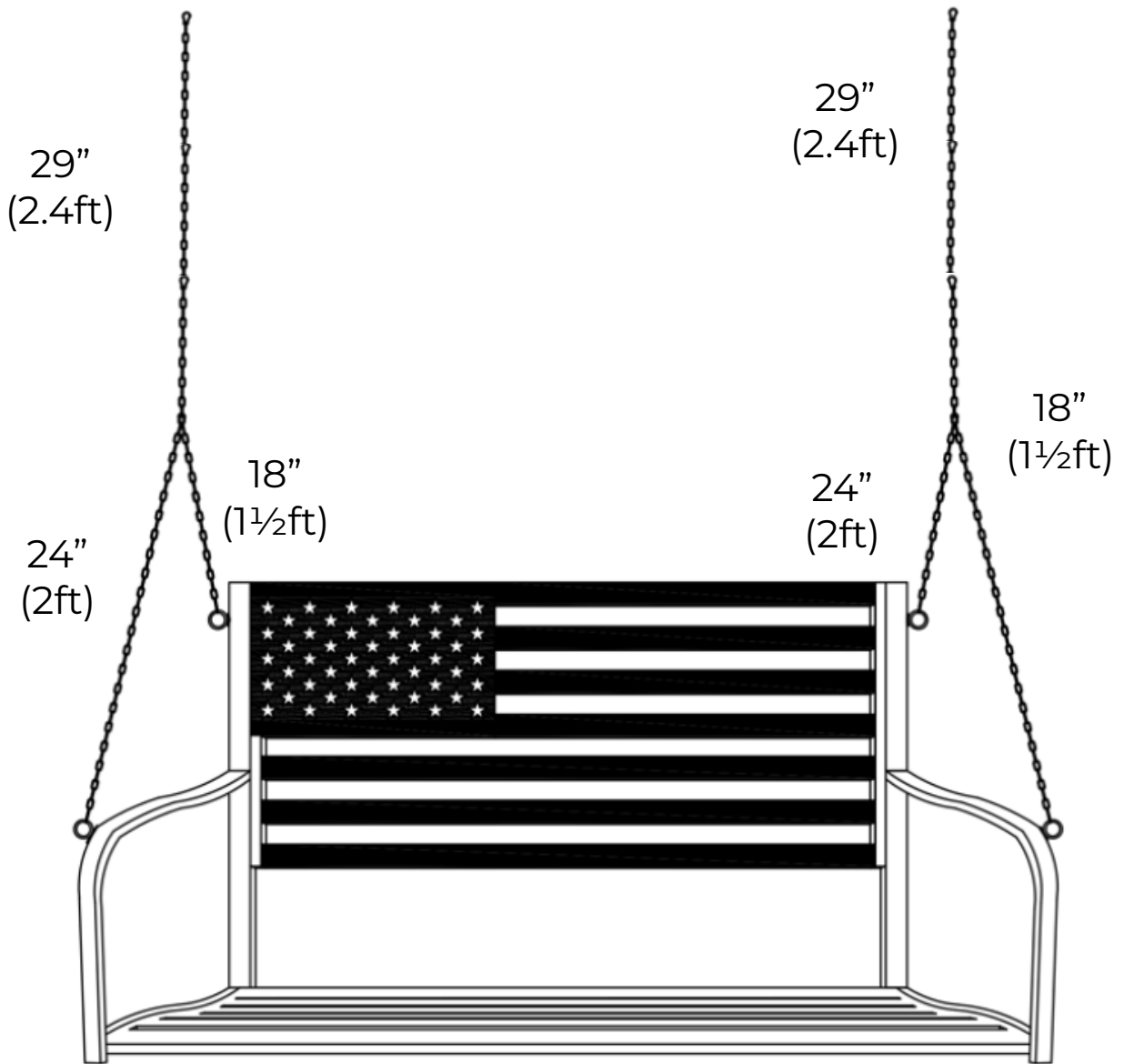
22ft. Chain Length = (2) 11ft. Chains  
 264in. Chain Length = (2) 132in. Chains  
 671cm. Chain Length = (2) 335cm. Chains  
 7 $\frac{1}{3}$  yd. Chain Length = (2) 3 $\frac{2}{3}$  yd. Chains

Chain Included in Box <i>Total Length</i>	Amount of Extra Chain Needed To Hang Swing <i>(Please purchase from your local hardware store)</i>	
	8-9ft. Ceiling	12ft. Ceiling
905978: 194"	No Extra	70in. Extra
906729: 130"	No Extra	No Extra
908353: 142"	50in. Extra	122in. Extra
914894: 160"	32in. Extra	104in. Extra
911026: 154"	38in. Extra	110in. Extra

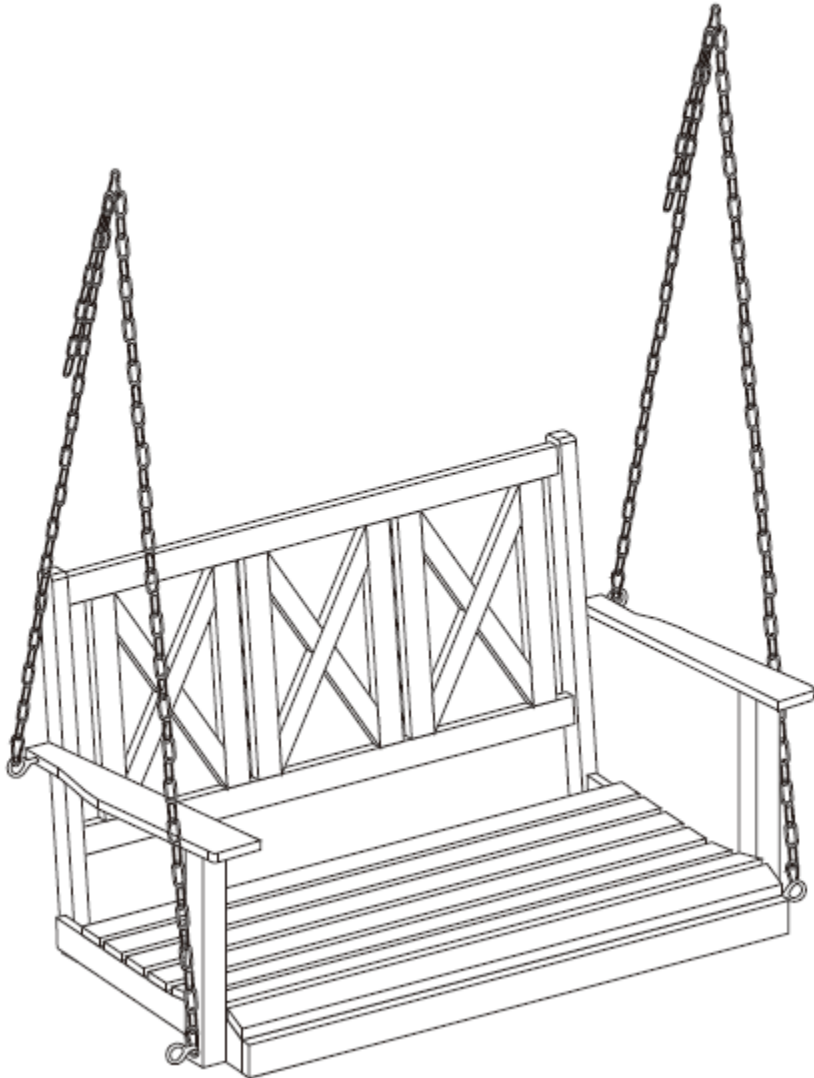
908353

142" (11.83 ft.) Chain Total

((2) 71" Chains)

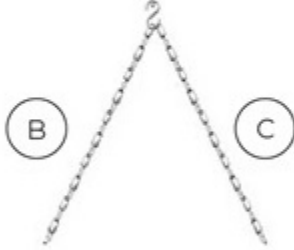
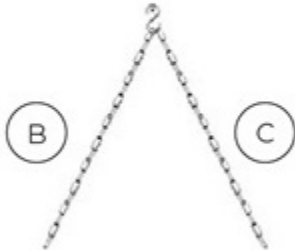


UPC#:914894



SWING CHAIN LENGTHS

**914894 Chain Length**



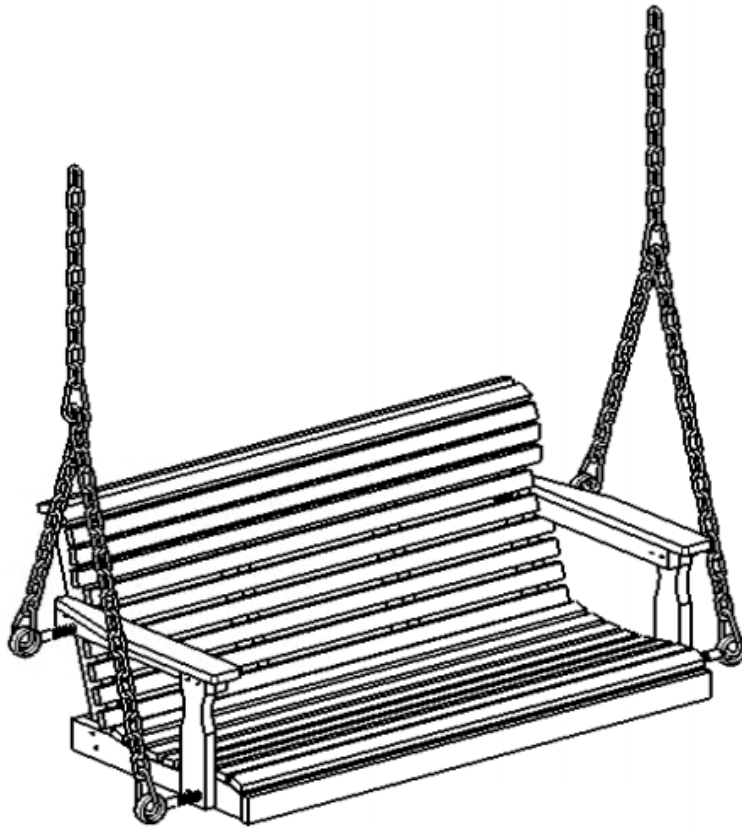
**B 40"**

**C 40"**

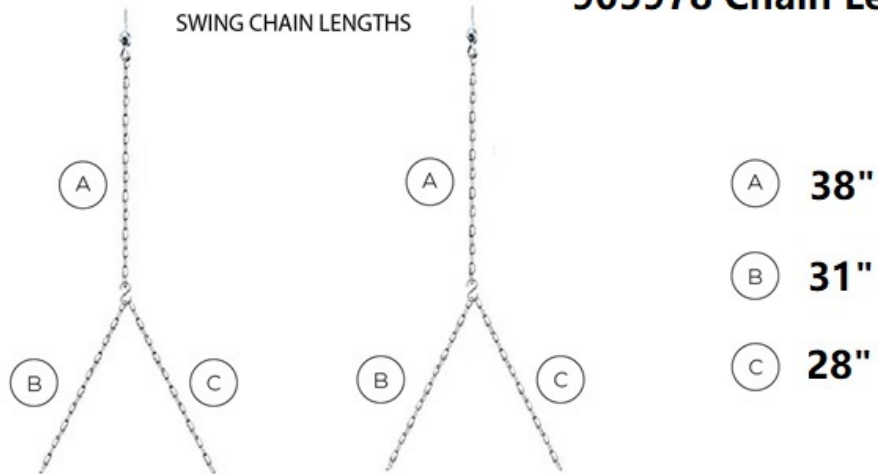
(E) Total Chain Length: **80" x 2 = 160"**

4 ft. Poly Swing

UPC#905978



### 905978 Chain Length



(E) Total Chain Length: **97" x 2 = 194"**

# 906729 Chain Length:

2 X 130" = 260" Total Chain Length



130"



130"



# 911026 Chain Length:

77" total chain per side  
(77" x 2 sides) = 154" total chain

