

# HEAVY DUTY HOSE REEL CART 2 WHEEL

UPC:913641-F-WB

## ASSEMBLY INSTRUCTIONS



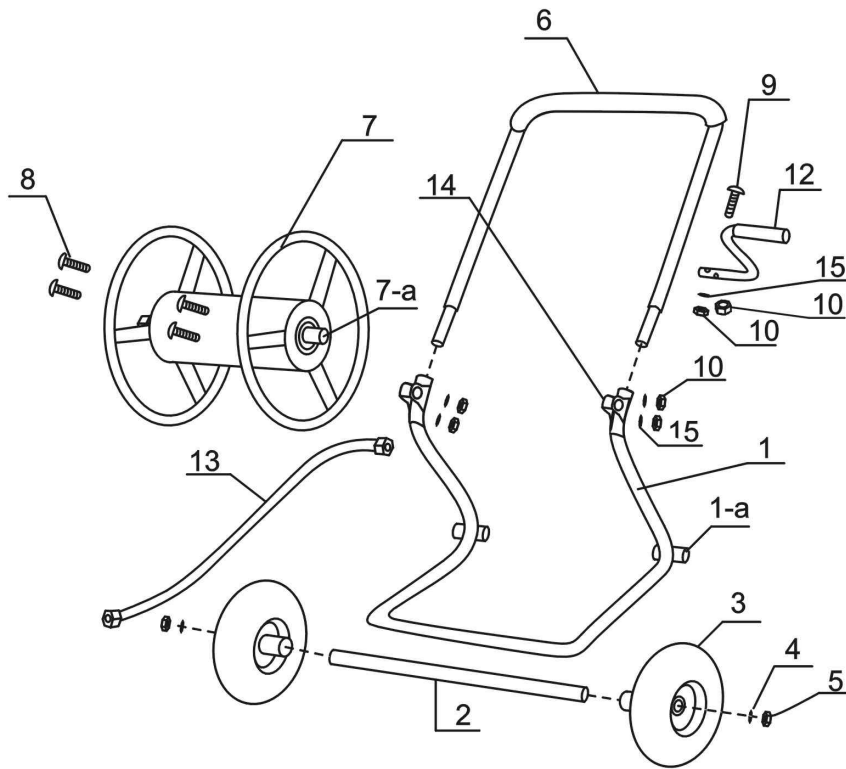
## **WARRANTY**

- This product is covered by the manufacturer's one year limited warranty. To ensure your satisfaction, this warrants the product is free from defects in material and workmanship as of the purchase date. It will under normal use and proper care remain free from defects for one year from date of purchase.
- The warranty does not cover defects caused by improper care or use. Corrosion or rusting is not covered by warranty. Normal wear with the wheels, leader hose, o-rings, and seals are not covered under warranty.

## **WARNING**

- Do not leave the unit in freezing temperatures. Water will freeze inside the reel causing the plumbing to crack.
- Disconnect from faucet, drain water from unit and properly store for winter
- Turn off water after each use and do not leave hose reel unattended while water is turned on.
- Do not use compressor to inflate tires. Use hand pump only.

# PARTS and HARDWARE LIST

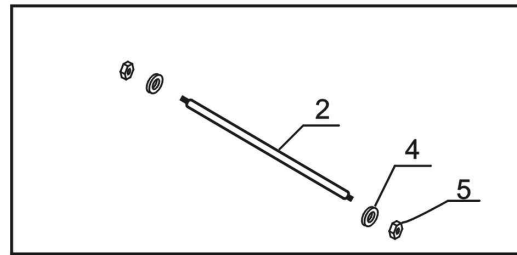


PART #	DESCRIPTION	QUANTITY
1	Frame	1
1-a	Axle mount	2
2	Axle	1
3	Wheel	2
4	Large washer 12 mm	2
5	Large nut 12 mm	2
6	Pull handle	1
7	Hose reel	1
7-a	Crank slot	1
8	Carriage bolt 6x35 mm	4
9	Screw 6x30 mm	2
10	Lock nut 6 mm	6
12	Crank handle	1
13	Leader hose	1
14	U bracket	1
15	Small washer 6mm	6
16	Rubber washer (Includes 1-spare rubber washer)	2

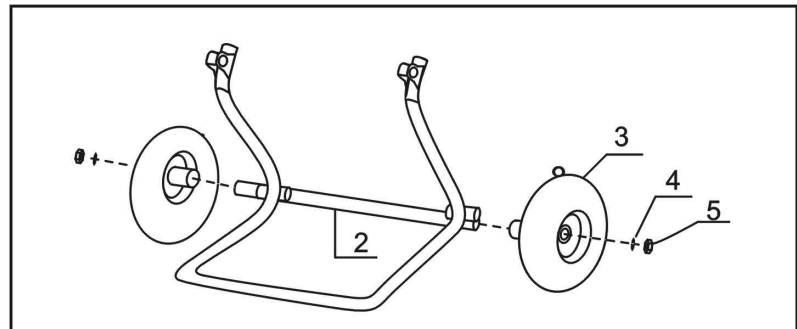
# ASSEMBLY INSTRUCTIONS

PLEASE READ ALL INSTRUCTIONS AND IDENTIFY ALL PARTS  
BEFORE STARTING ASSEMBLY

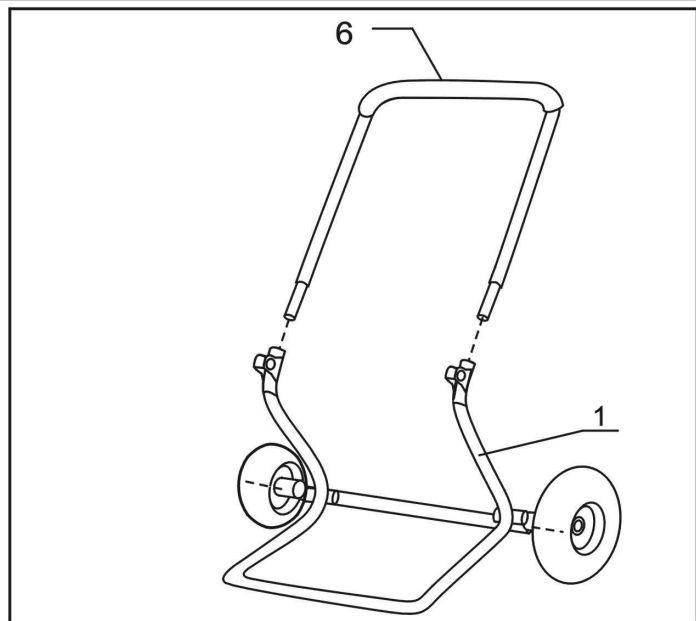
- A.** Remove large washer (4)  
and Large nut (5)  
from each end of the Axle (2).



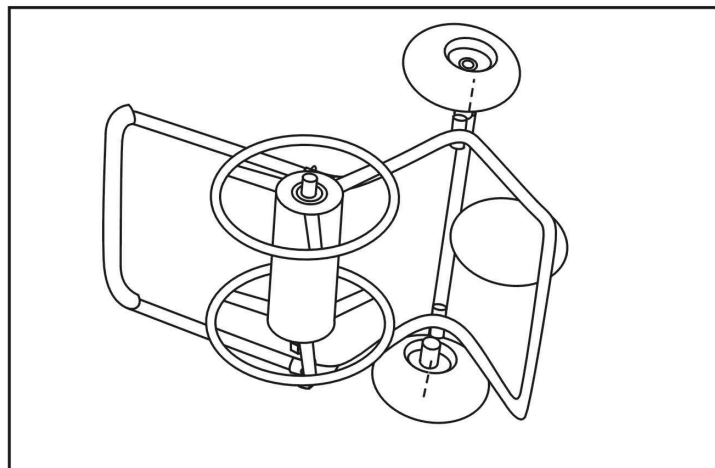
- B.** Slide wheels(3) with  
the wheel concave side  
facing outward, on each  
end of the axle (2), then  
attach large washers (4),  
large nuts (5), tighten  
with wrench to secure



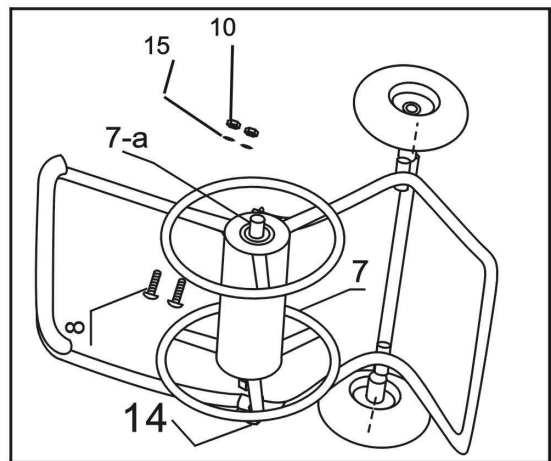
- C.** Insert the pull handle (6)  
into frame(1), making sure  
that holes line up.



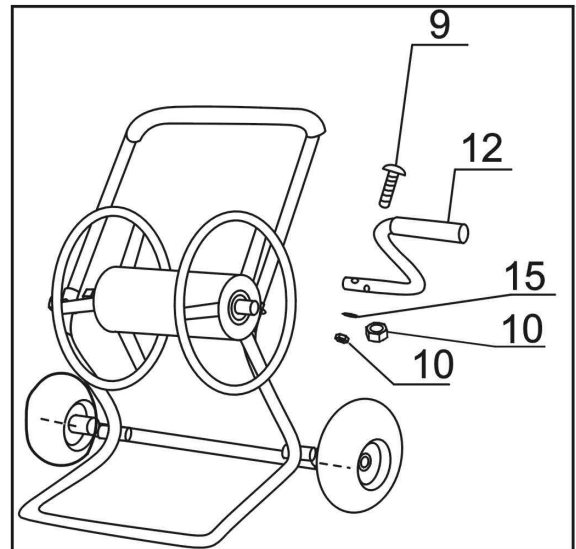
- D.** Place the unit on its side  
to assemble the hose reel  
to the frame.



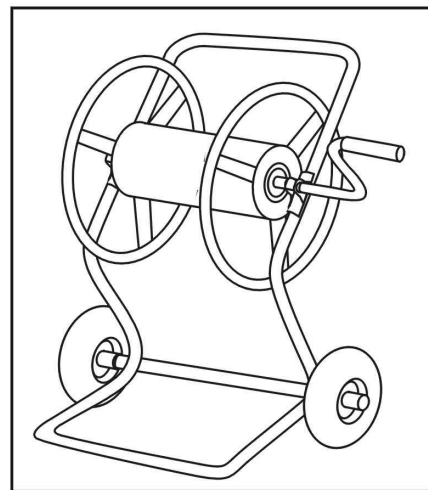
- E.** For right-handed users, hose reel (7) should be facing the same way as in the picture - with crank slot (7-a) on the right (far) side, left-handed users may reverse the hose reel. Line up holes in hose reel (7) and frame (1), and also make sure the U bracket (14) attach to the frame (1) by using four Carriage bolt (8), small washers (15) and lock nuts(10). Tighten the nuts to secure the hose reel (7) to frame (1), this will also secure the pull handle (6).



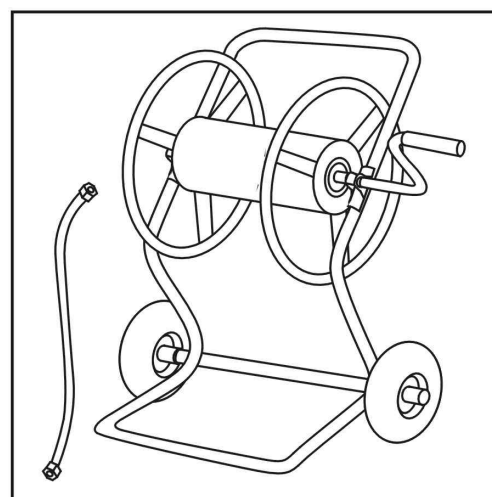
- F.** Set unit upright, find the crank handle (12) .



- G.** Insert the crank handle (12) into the crank slot(7-a),making sure the holes line up, and insert screw (9) through inside hole of crank slot(7-a) and crank(12),and then fasten with small washer (15) and lock nut(10),Insert screw (9) through outside hole of crank slot(7-a) and crank handle (12) and then fasten with small washer(15) and lock nut(10) .



- H.** Insert rubber washer (16) into female end of water coupling,and attach one end of leader hose (13) to water coupling on hose reel (7).Your hose reel cart is complete. To use ,attach other end of leader hose to water source and attach your garden hose to the hose pipe on the hose reel(7), then wind hose onto reel.





**BACKYARD** *expressions*  
 PATIO • HOME • GARDEN

Please help us give you the best possible service by emailing your parts & service needs to: [ddiparts@ddicorp.com](mailto:ddiparts@ddicorp.com)

**Emails are responded to daily and are the most accurate way to communicate item/parts needs.**

This form is also available online at: <http://ddiretail.com/contact-us/>



Customer Name	
Mailing address	
Phone number	
Email address	
Item name	
Item UPC Code	Begins with 6-81129-13641-F-WB
Date of purchase	
Name of Store	
Specific Issue	
Part needed – please identify from assembly instructions	

Please keep original purchase receipt for best service

– if you prefer you may also **leave a message** or send a **text** to this number: 1-612-888-7550–  
 Your message will be replied to in the order received.

**Many parts are available to purchase from our website:**

<https://backyard-expressions.com/collections/replacement-parts>