







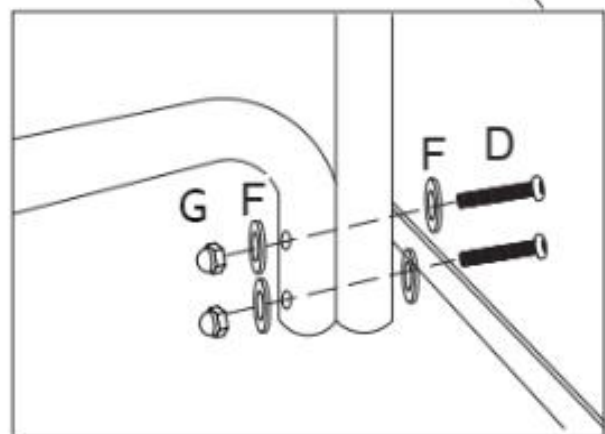
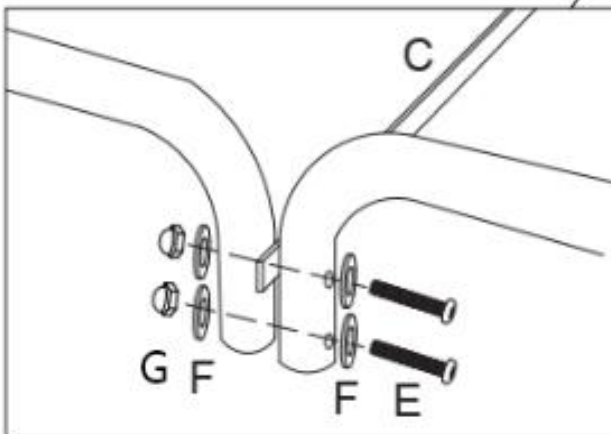
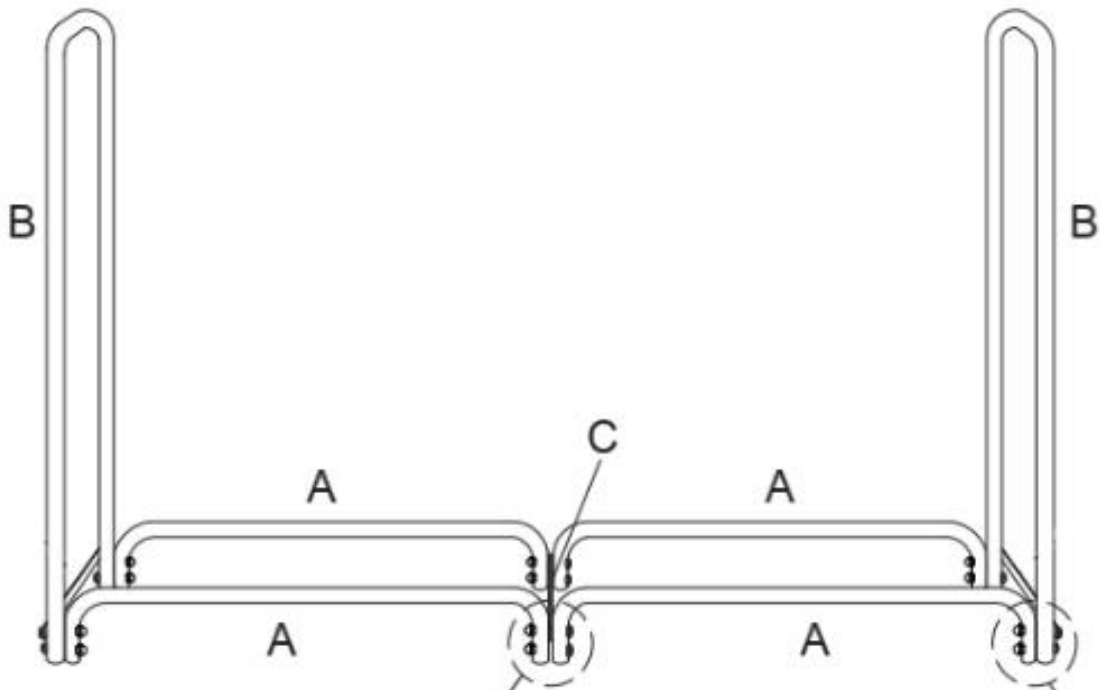


# Assembly instructions

UPC NO. :913559

					
A 4PCS		B 2PCS		C 1PC	
					
M8*70 D 8PCS	M8*75 E 4PCS	F 24PCS	G 12PCS	H 2PCS	





# **BACKYARD** *expressions*

PATIO • HOME • GARDEN

**Please help us give you the best possible service by emailing your parts & service needs to: [ddiparts@ddicorp.com](mailto:ddiparts@ddicorp.com)**

**Emails are responded to daily and are the most accurate way to communicate item/parts needs.**

This form is also available online at: <http://ddiretail.com/contact-us/>



Customer Name	
Mailing address	
Phone number	
Email address	
Item name	
Item UPC Code	Begins with 6-81129-13559
Date of purchase	
Name of Store	
Specific Issue	
Part needed – please identify from assembly instructions	

Please keep original purchase receipt for best service

– if you prefer you may also leave a message or send a text to this number: 1-612-888-7550–  
Your message will be replied to in the order received.

**Many parts are available to purchase from our website:**

<https://backyard-expressions.com/collections/replacement-parts>