

8'x5' BBQ grilling Gazebo with LED lights

Assembly Instruction

UPC# 911268-WB



BBQ GAZEBO



IMPORTANT: This product is designed for grill shelter purposes only in relatively normal weather conditions. Extremely High Winds and Heavy Rain or Hail can severely damage the canopy and canopy frame. It is the **consumer's responsibility** to protect this product against weather related damages. Venting at the top of the canopy will adequately handle moderate weather events.

WARNING: PRIOR TO EXTREMELY HEAVY WINDS or PRECIPITATION, REMOVE or LOOSEN CANOPY to spill wind. Carefully monitor during the weather event and take appropriate action. Secure the Gazebo to something immovable so it does not become airborne.

PLEASE SEPARATE AND IDENTIFY ALL PARTS, MAKING SURE THAT YOU HAVE ALL OF THE PARTS LISTED. SHOULD YOU EXPERIENCE ANY DIFFICULTY DURING ASSEMBLY OR IF ANY PARTS IS MISSING OR DAMAGED. CONTACT OUR CUSTOMER SERVICE BY EMAIL : ddiparts@ddicorp.com OR CALL TOLL FREE: 1-612-888-7550.

Required Tools (Not Included)



SAFETY GOOGLE



STEPLADDER




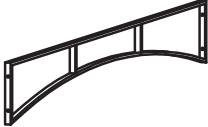






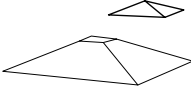






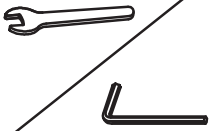




GLOVES

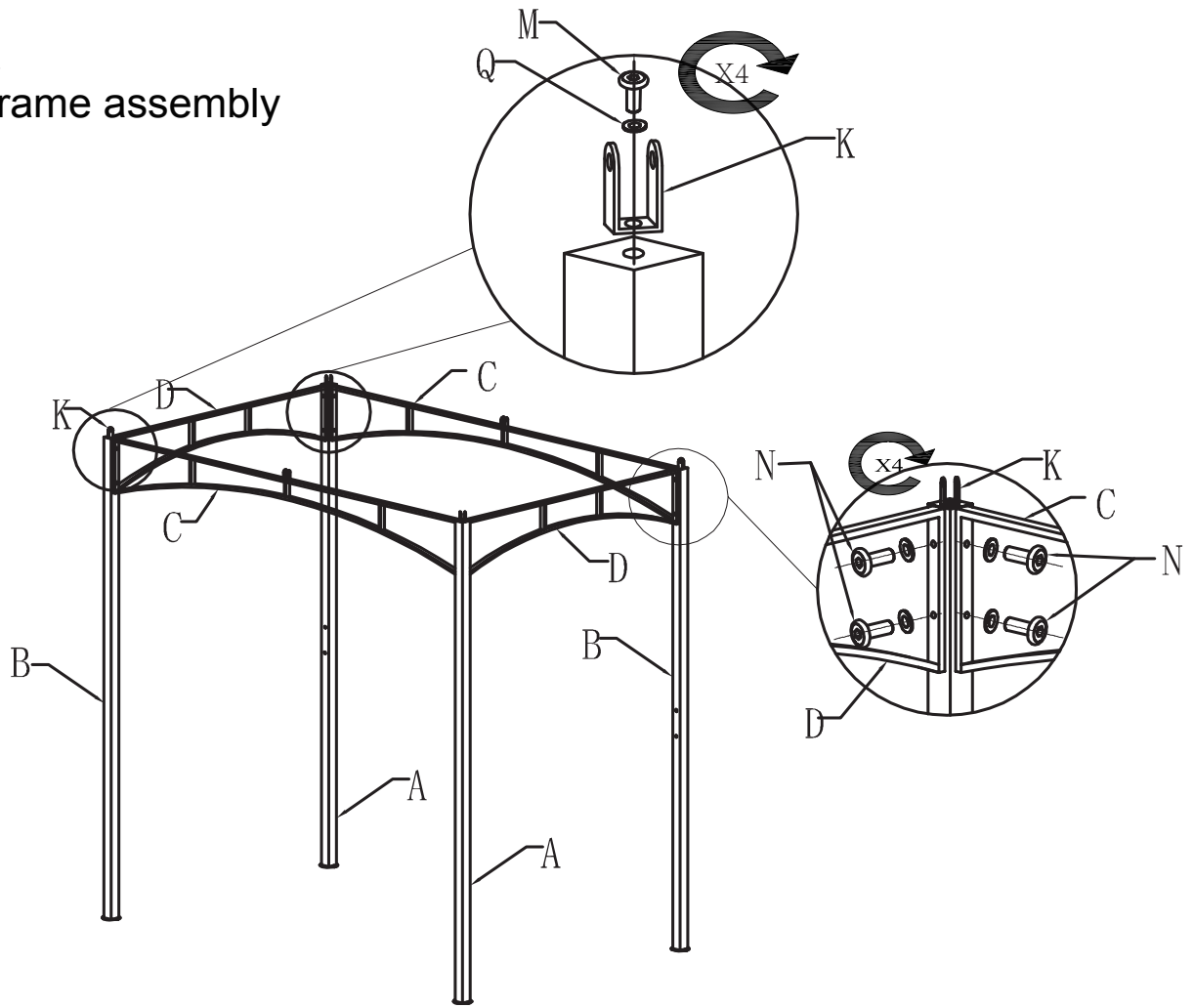


SAFETY HAT

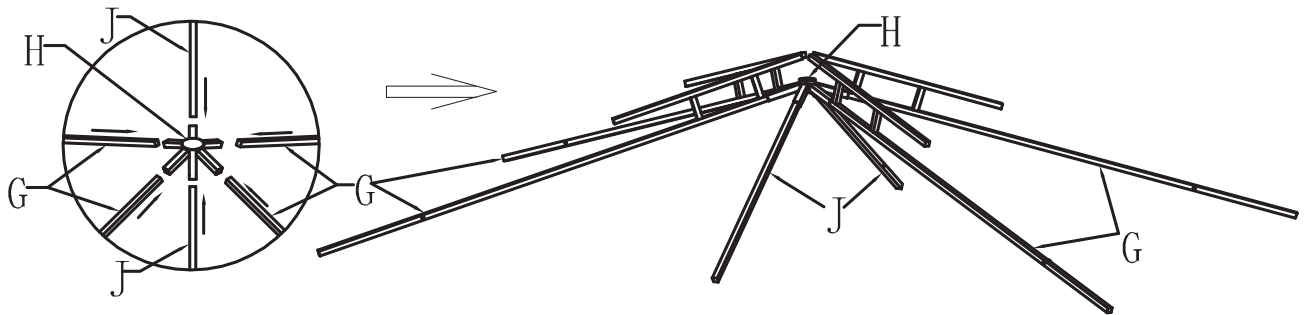
parts list

 A 2PCS	 B 2PCS	 C 2PCS	 D 2PCS	 E 2PCS	
		 F 4PCS	 G 4PCS	 H 1PC	
		 J 2PCS	 K 6PCS	 L 2PCS	 M6x16 M 10PCS
 M6x25 N 24PCS	 M6x30 P 6PCS	 Q 40PCS	 R 10PCS	 S 8PCS	
 4pcs	 Fully assembled Gazebo frame				

STEP 1
Main frame assembly

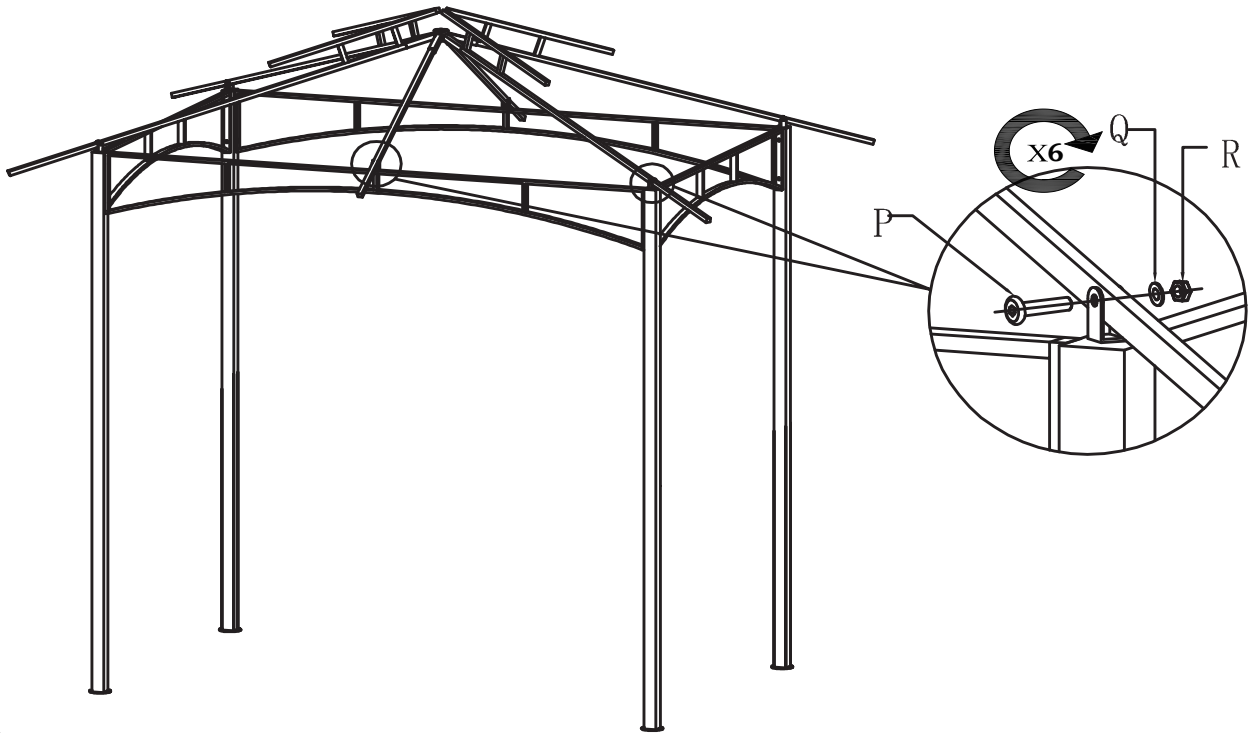


STEP 2
Canopy frame assembly



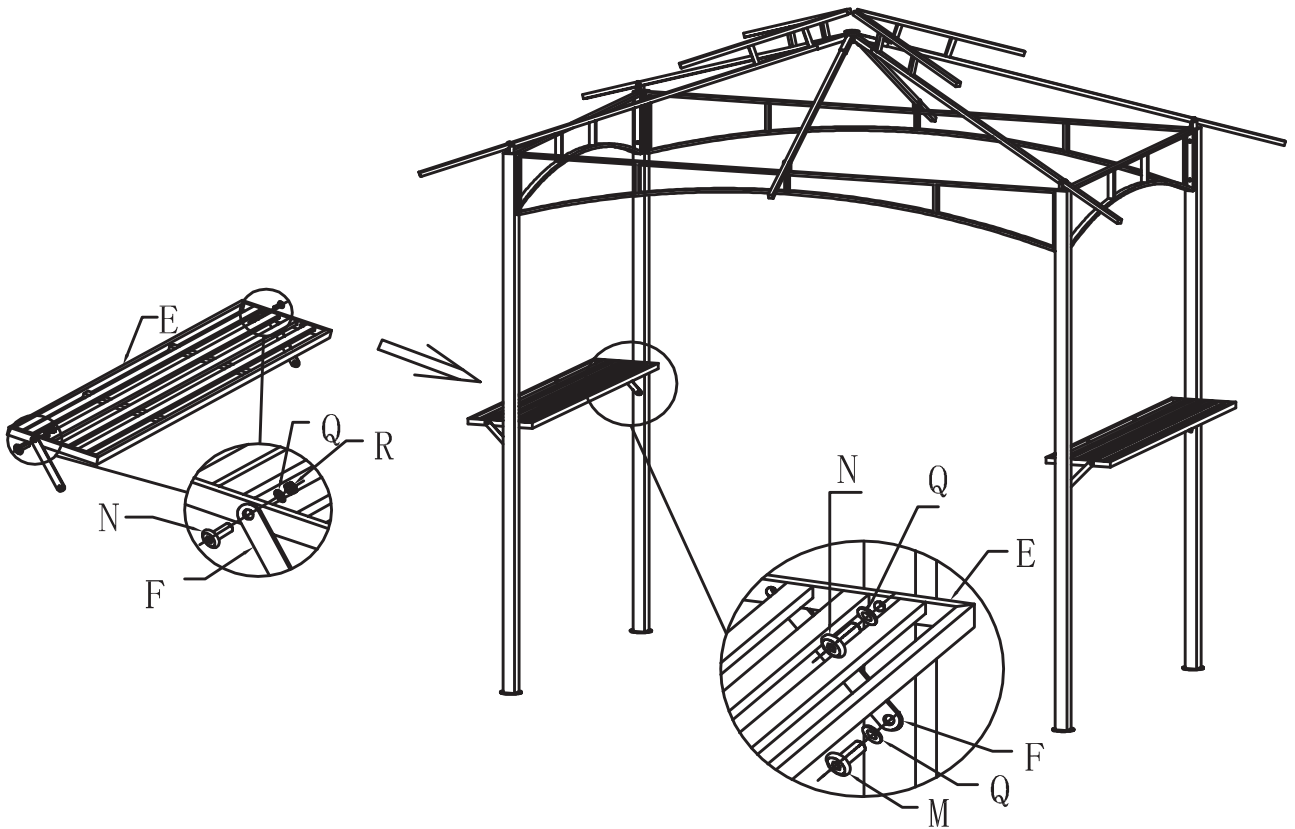
STEP 3

Secure canopy frame to the main frame



STEP 4

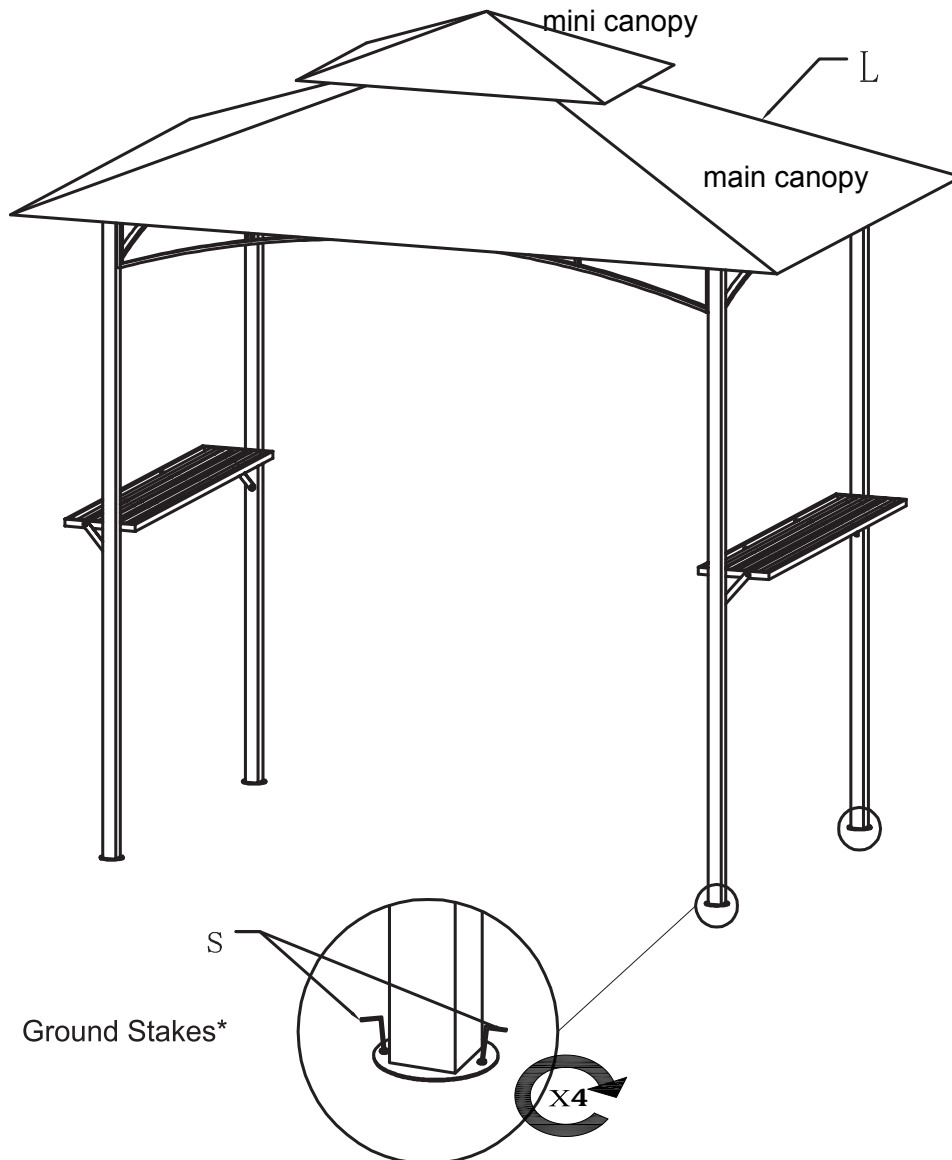
Attach side shelves to the main frame



STEP 5

Attach main and mini canopies and secure to ground

Caution: please use a sturdy stepladder to attach main canopy first followed by mini canopy



* Use provided ground stakes for lawns. If securing to decks or hard surfaces, use appropriate hardware (SOLD SEPARATELY)

BBQ GAZEBO LED LIGHT USER INSTRUCTION

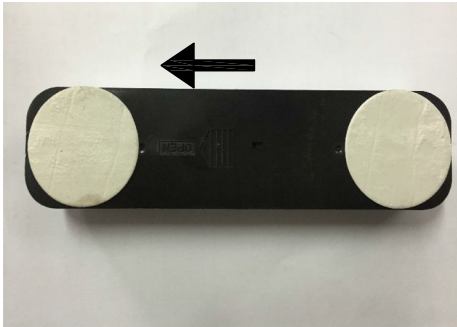
ATTENTION:

- 1. No battery is included in the package, purchase battery separately.
- 2. Use the included double-sided adhesive pad to stick the LED light to wherever you want. Reposition after installation is not recommended since it may not be adhesive enough after remove.

STEP-1



STEP-2



STEP-3



STEP-4



STEP-5



SHUT ON
⇌
SHUT OFF

STEP-6





BACKYARD *expressions*

PATIO • HOME • GARDEN

Please help us give you the best possible service by emailing your parts & service needs to: ddiparts@ddicorp.com

Emails are responded to daily and are the most accurate way to communicate item/parts needs.

This form is also available online at: <http://ddiretail.com/contact-us/>



Customer Name	
Mailing address	
Phone number	
Email address	
Item name	BBO grilling Gazebo with LED lights
Item UPC Code	Begins with 6-81129-11268-5
Date of purchase	
Name of Store	
Specific Issue	
Part needed – please identify from assembly instructions	

Please keep original purchase receipt for best service

– if you prefer you may also **leave a message** or send a **text** to this number: 1-612-888-7550–
Your message will be replied to in the order received.

Many parts are available to purchase from our website:

<https://backyard-expressions.com/collections/replacement-parts>