



BACKYARD *expressions*

PATIO • HOME • GARDEN

62"X27" 4Tier Mini Greenhouse W/carry bag

Item UPC Code: 6-81129 -11217-3

Item NO:911217



Important:

Please check the package content before attempting to construction your greenhouse.

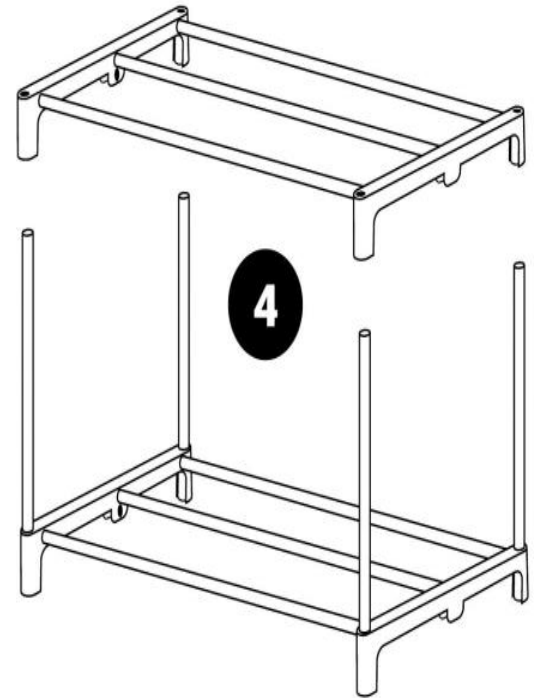
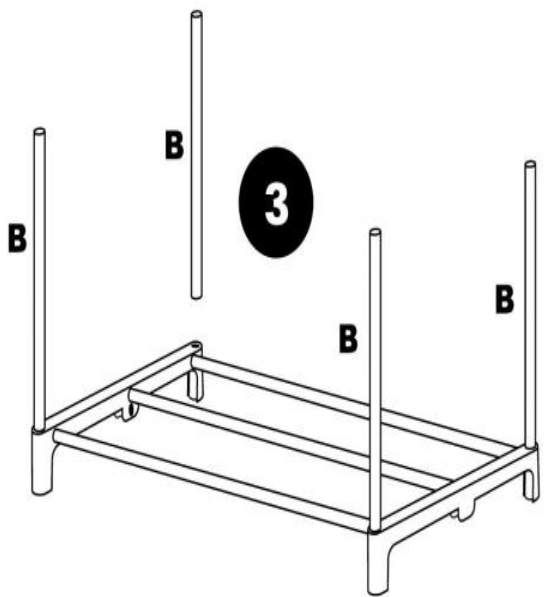
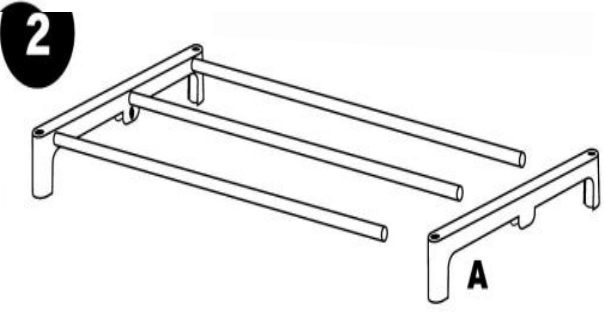
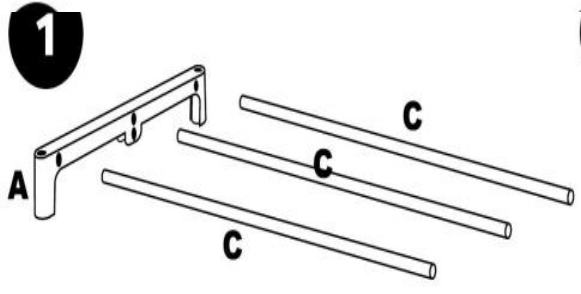
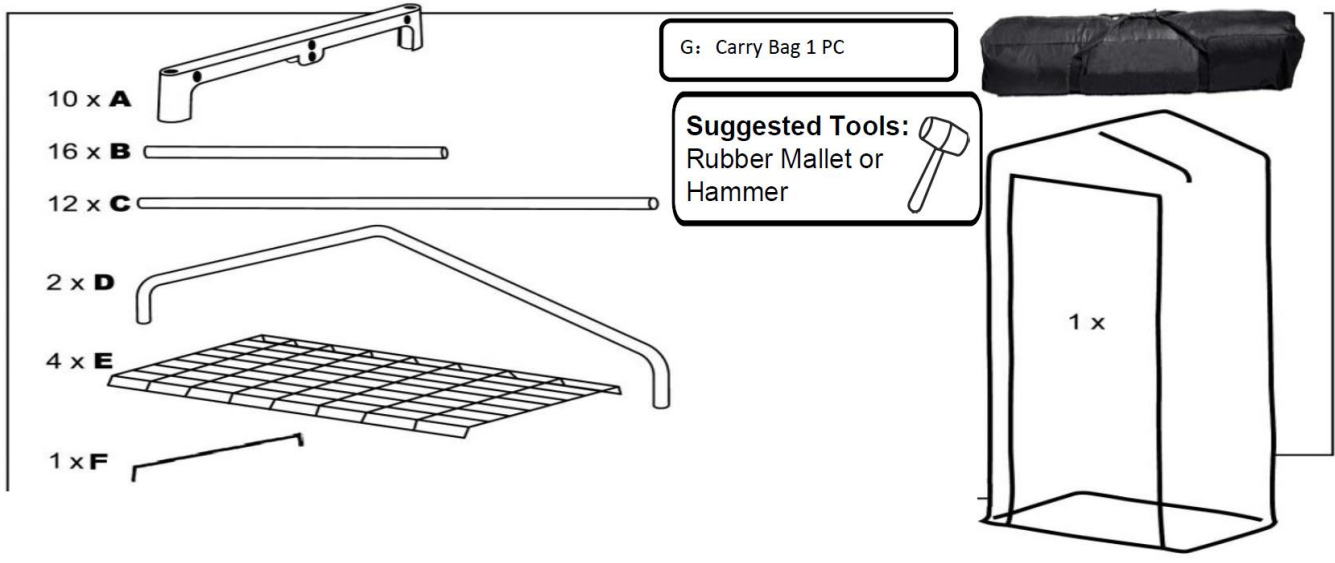
1. Place all corners and pipes for the structure on the ground. NOTE:) Place cover inside while assembling frame, so it is room temperature when stretching over frame, this will prevent it from possible tears.
2. Connect the corners and pipes together to make the whole frame as shown in the assembly instructions. NOTE:) Use a rubber mallet or hammer to ensure that the pipes are pushed in as far as possible, this ensures the cover and the wire shelves fit properly.
3. Unfold the cover and stretch it over the frame. NOTE:) The cover will be inside out, please invert it prior to installing.
4. Pull the cover down to help hold the frame together when you lift it.
5. Enjoy your green house.

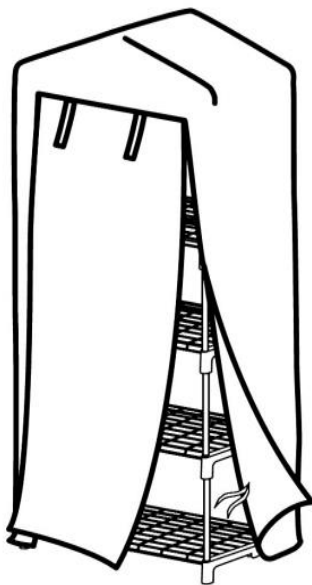
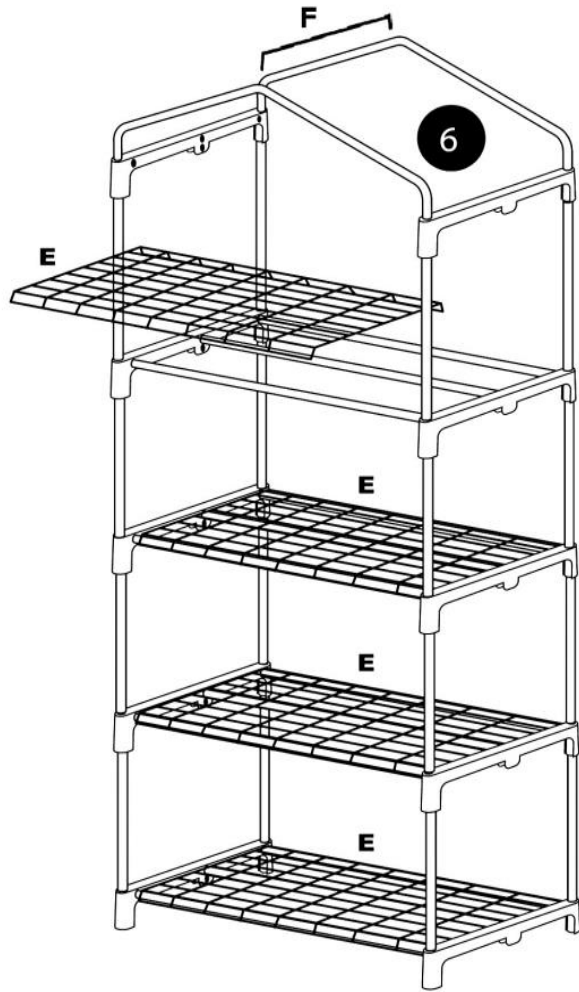
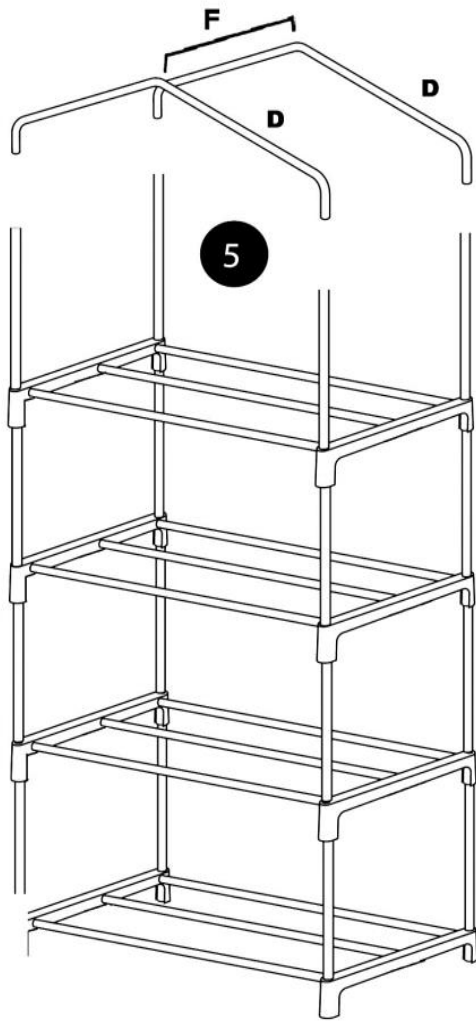
Please Note:

1. When opening the door to the greenhouse, always roll up the door and tie at the top. This will help prevent damage to the door that could occur if the door it not tied open.
2. Do not force zipper shut to prevent damage.
3. Store in a sheltered location during periods of extreme weather and high winds.
4. Manufacturer not responsible for weather related damages due to high winds and extreme weather conditions.

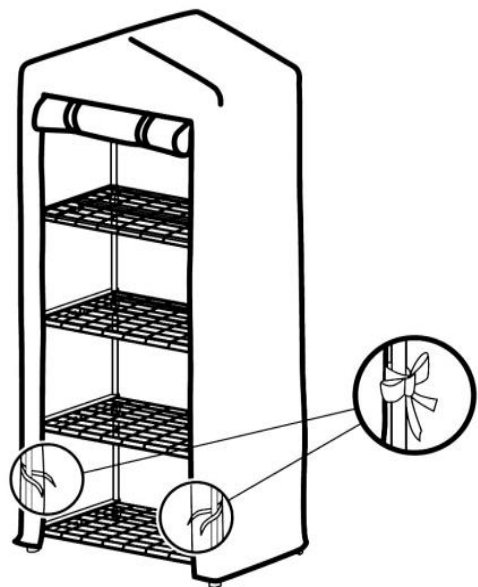
Item UPC Code: 6-81129 -11217-3

Backyard Expressions 911217 Green House Assembly Instructions





7





BACKYARD expressions

PATIO • HOME • GARDEN



Please help us give you the best possible service by emailing your parts & service needs to: CustomerService@DDIcorp.com

Emails are responded to daily and are the fastest and most accurate way to communicate item/parts needs. Purchase receipt is necessary for any warranty claim or assistance.

In addition to your purchase receipt please include the following information in your email:

Item Name	62"X27" 4Tier Mini Greenhouse W/carry bag
Item Code or UPC Code (Begins with 6-81129-)	6-81129 -11217-3
Specific Issue	
Part Needed—Please Identify from Assembly Instructions	
Your Shipping Address	

Parts and parts listings for many of our products can be found at:
<https://backyard-expressions.com/collections/replacement-parts>

PRODUCT WARRANTY SHALL NOT APPLY TO ANY PRODUCT OR ANY PART THEREOF, WHICH HAS BEEN SUBJECT TO ACCIDENT, NEGLIGENCE, WEATHER RELATED DAMAGE, ALTERATION, ABUSE, OR MISUSE OR TO PRODUCT SOLD AS-IS, END OF SEASON, OPEN BOX OR OTHER SUBSTANTIALLY DISCOUNTED PRODUCT.

DDI MAKES NO WARRANTY WHATSOEVER IN RESPECT TO ACCESSORIES OR PARTS NOT SUPPLIED BY US.

DDI IS NOT RESPONSIBLE FOR ANY INCIDENTAL OR CONSEQUENTIAL DAMAGES, WHICH MAY ARISE OUT OF THE PURCHASE OR USE OF ANY DDI PRODUCT.

PRODUCT LIABILITY FOR ANY BREACH OF THIS WARRANTY SHALL BE AT THE DISCRETION OF DDI AND LIMITED TO REPAIR OR REPLACEMENT OF THE DEFECTIVE PRODUCT.

WARRANTY CLAIMS RECEIVED 90 DAYS AFTER PURCHASE DATE (RECEIPT REQUIRED) MAY BE SUBJECT TO ADDITIONAL COSTS AND ARE ASSESSED BY THE WARRANTY CLAIM DEPARTMENT.

– if you prefer you may also leave a message or send a text to this number: 1-612-888-7550–
Your message will be replied to in the order received.