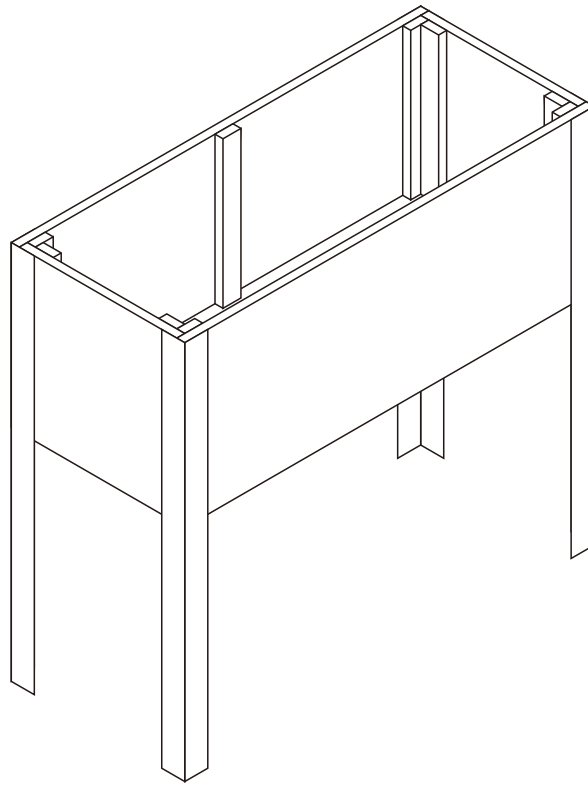
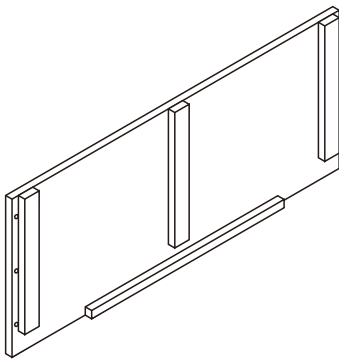


# Assembly Instructions

UPC# 911214

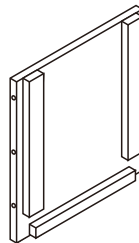


A



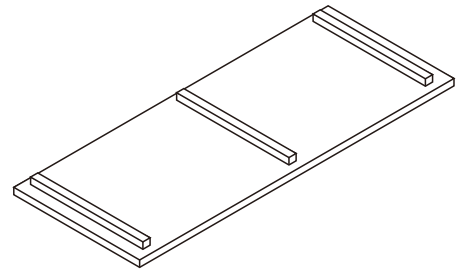
2pcs

B



2pcs

C



1pc

D



4pcs

E



3.5cm

12pcs

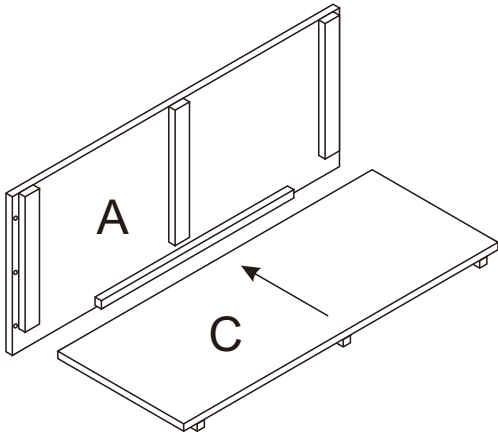
F



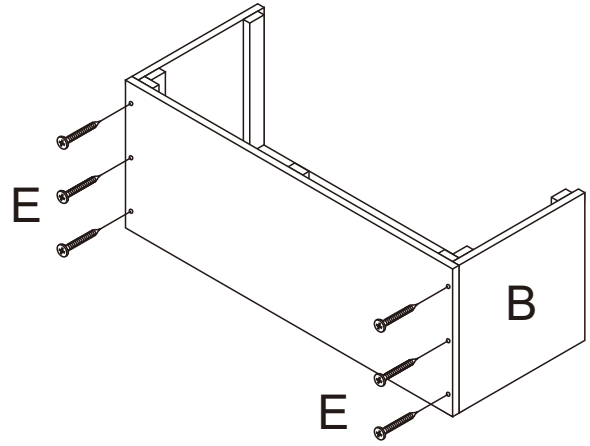
1.5cm

24pcs

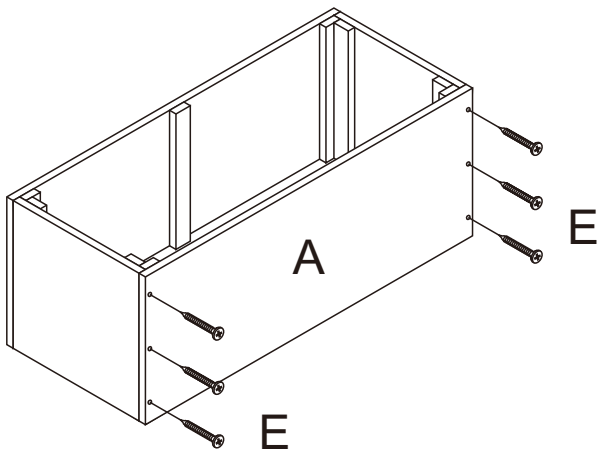
### Step 1



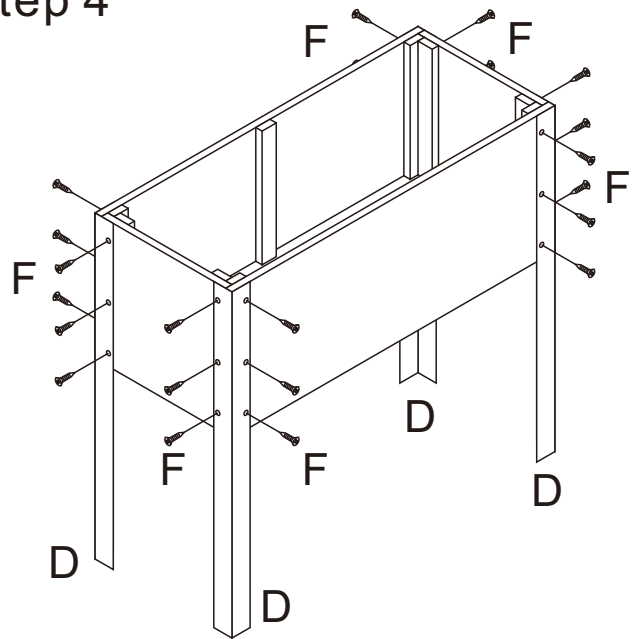
### Step 2



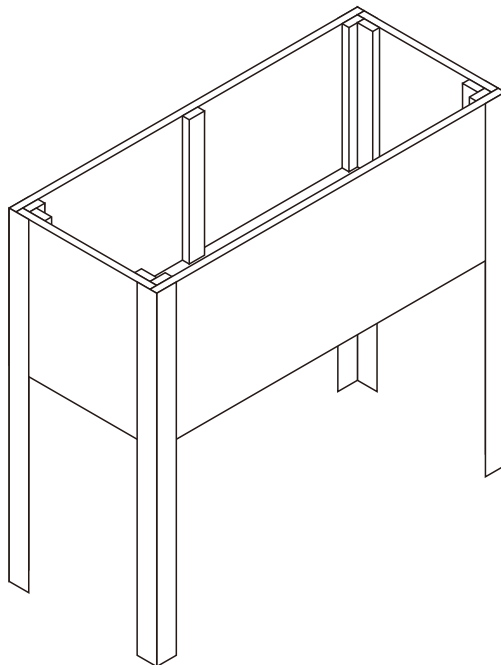
### Step 3



### Step 4



### Step 5



## CARE & MAINTENANCE

This product is made of fir wood. Fir has naturally high moisture content and although it has been kiln dried it will absorb moisture during the seasonal humidity and temperature changes. This will cause the wood to expand and contract and may cause cracking to appear. This is a natural occurrence and is to be expected. Some components may have a relief kerf cut in them at time of purchase. This is intentional and serves to direct the expansion/contraction pressure to a single point, much like the lines in a concrete sidewalk.

As with any product some occasional maintenance can prolong its function.

Adding a protective finish to the wood to aid in the longevity of the product is a personal preference. The wood can be treated with a quality penetrating oil finish with UV protection. Depending on your climate a fungicide may be helpful. Please be sure to follow manufacturer suggestions for application. Any product added to the wood finish, may change the appearance.

Periodically check hardware for tightness and tighten as needed.

Storing your furniture is recommended to limit damage from prolonged exposure to harsh weather.

Covering with furniture covers may cause moisture to be trapped and may cause mold and mild to grow.

When possible, avoid direct contact with the ground by placing furniture on landscape blocks.

Furniture can be washed by hand or pressure washer. If a pressure washer is used, be sure to check the setting so it isn't too hard. Five parts water to one part bleach with a bit of dish soap is recommended.



# **BACKYARD** *expressions*

PATIO • HOME • GARDEN

Please help us give you the best possible service by emailing your parts & service needs to: [ddiparts@ddicorp.com](mailto:ddiparts@ddicorp.com)

Emails are responded to daily and are the most accurate way to communicate item/parts needs.

This form is also available online at: <http://ddiretail.com/contact-us/>



Customer Name	
Mailing address	
Phone number	
Email address	
Item name	Wooden Raised pot-steel legs
Item UPC Code	Begins with 6-81129-11214-2
Date of purchase	
Name of Store	
Specific Issue	
Part needed – please identify from assembly instructions	

Please keep original purchase receipt for best service

– if you prefer you may also **leave a message** or send a **text** to this number: 1-612-888-7550–  
Your message will be replied to in the order received.

Many parts are available to purchase from our website:

<https://backyard-expressions.com/collections/replacement-parts>