

HEAVY DUTY HOSE REEL WAGON-4 WHEEL

UPC:908196

ASSEMBLY INSTRUCTIONS



WARRANTY

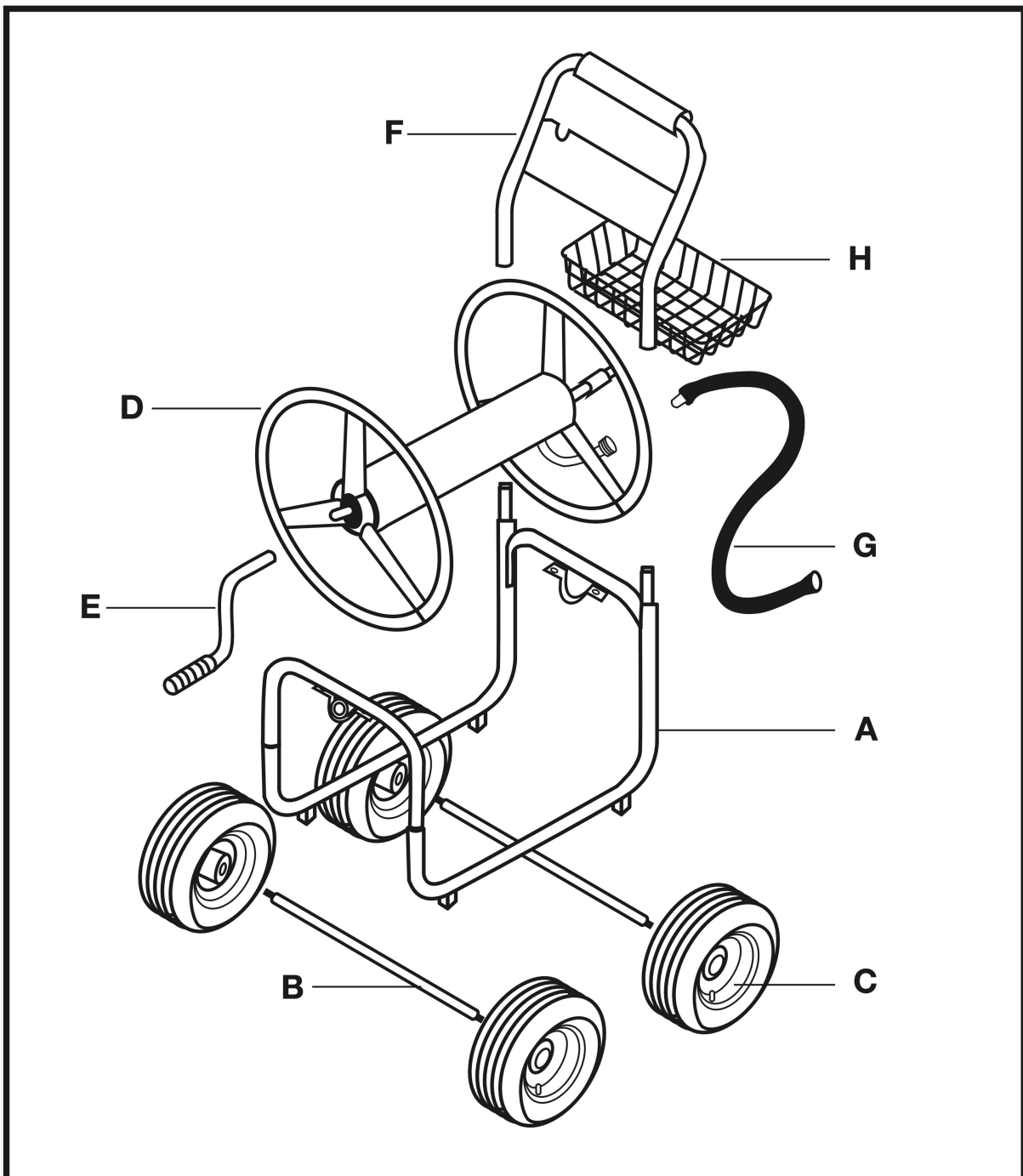
- This product is covered by the manufacturer's one year limited warranty. To ensure your satisfaction, this warrants the product is free from defects in material and workmanship as of the purchase date. It will under normal use and proper care remain free from defects for one year from date of purchase.
- The warranty does not cover defects caused by improper care or use. Corrosion or rusting is not covered by warranty. Normal wear with the wheels, leader hose, o-rings, and seals are not covered under warranty.

WARNING

- Do not leave the unit in freezing temperatures. Water will freeze inside the reel causing the plumbing to crack.
- Disconnect from faucet, drain water from unit and properly store for winter
- Turn off water after each use and do not leave hose reel unattended while water is turned on.
- Do not use compressor to inflate tires. Use hand pump only.

PARTS LIST

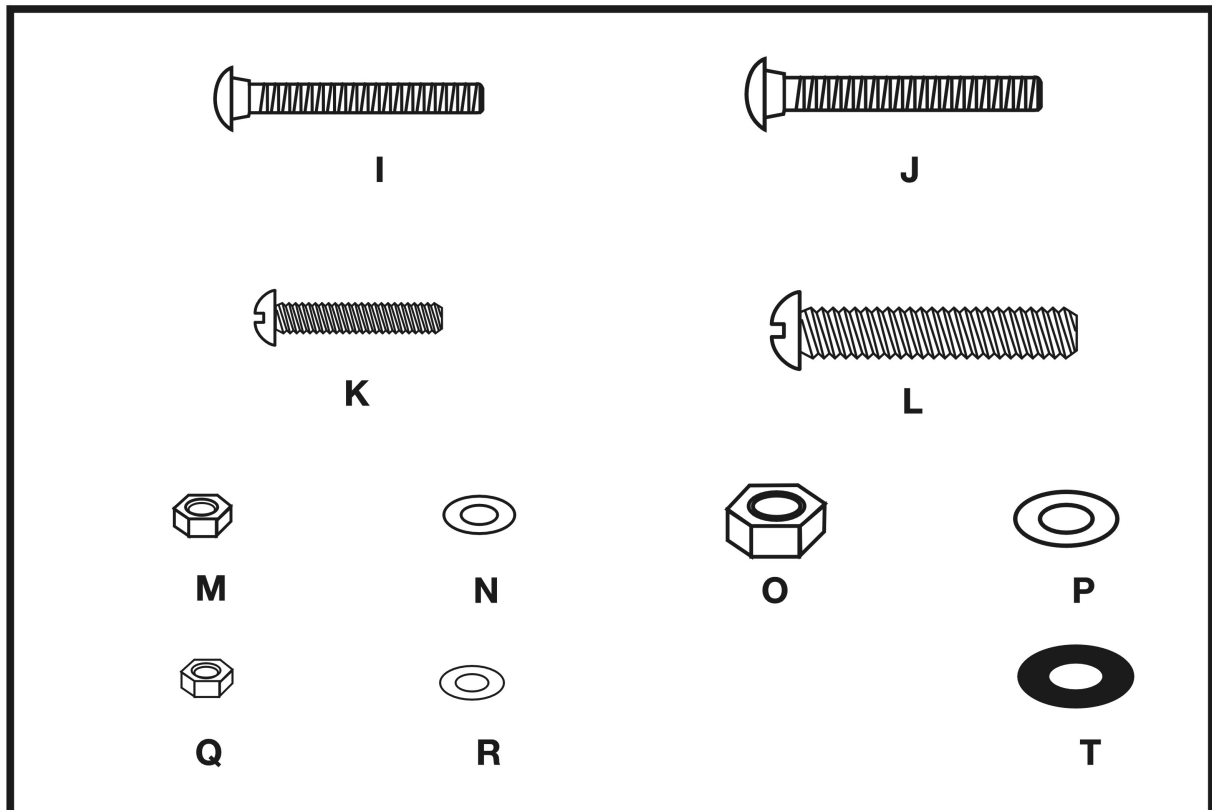
A	Frame	1
B	Axles	2
C	Wheels	4
D	Hose Reel	1
E	Crank Handle	1
F	Handle	1
G	Leader Hose	1
H	Accessories Basket	1



HARDWARE LIST

PART #	DESCRIPTION	QUANTITY
I	Carriage Bolt, 6 x 35mm	2
J	Carriage Bolt, 6 x 39mm	2
K	Bolt, 6 x 30mm	2
L	Bolt, 8 x 45mm	2
M	Hex Nut, 8mm	2
N	Flat Washer, 8mm	4
O	Lock Nut, 12mm	4
P	Flat Washer, 12mm	4
Q	Lock Nut, 6mm	6
R	Flat washer, 6mm	2
T	Rubber Washer (Includes 1-Spare Rubber Washer)	2

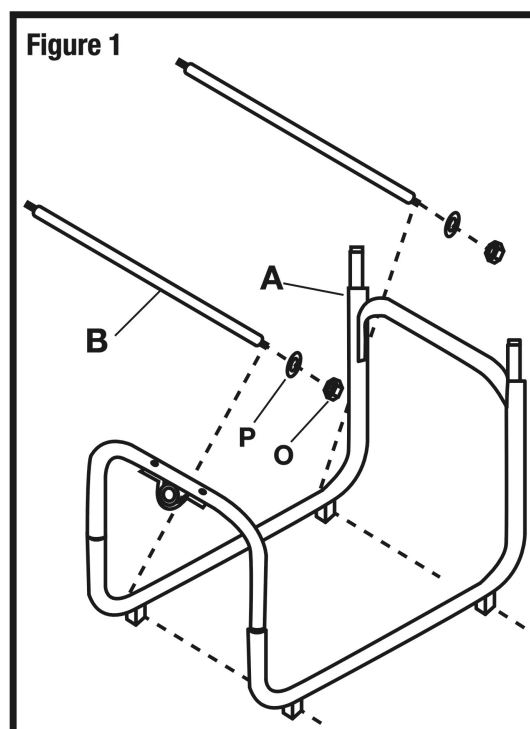
Carefully remove the contents from the package. If any parts are missing do not attempt to use the product until they have been obtained and correctly installed.



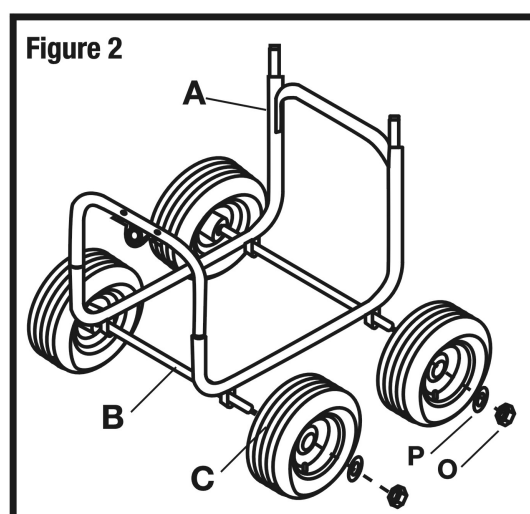
ASSEMBLY INSTRUCTIONS

PLEASE READ ALL INSTRUCTIONS AND IDENTIFY ALL PARTS
BEFORE STARTING ASSEMBLY

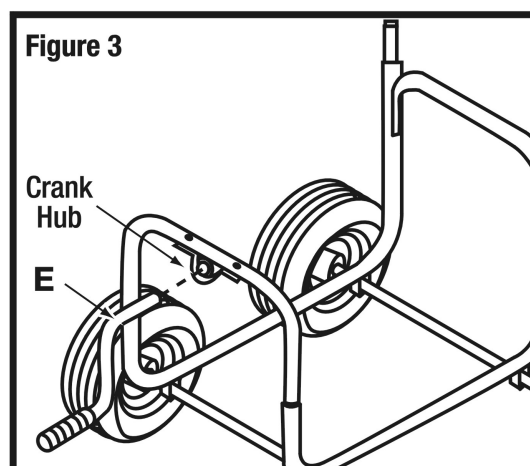
- 1. (SEE FIGURE 1)** Remove and retain lock nut (O) and flat washer (P) from axle (B). Stand frame assembly (A) upright. Slide each axle (B)



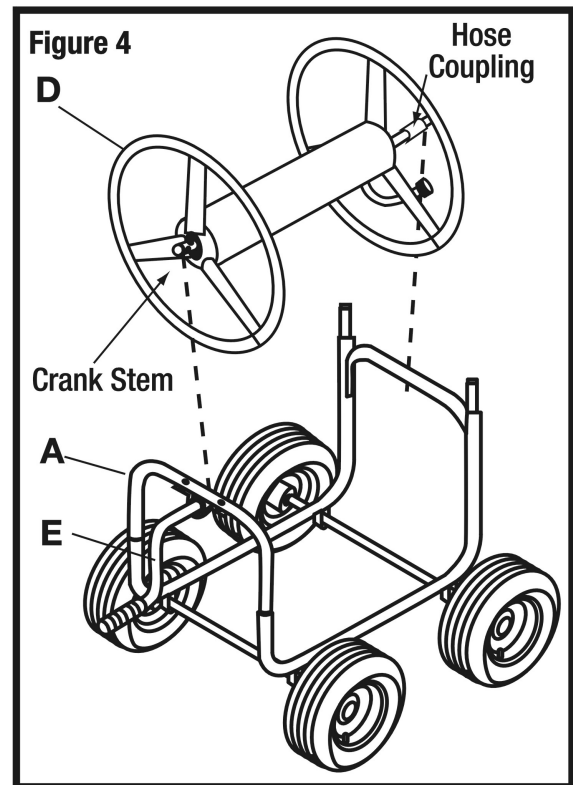
- 2. (SEE FIGURE 2)** Slide wheels (C) onto ends of each axles (B), with the wheel valve stems facing outward. Fasten each wheel to axle using flat washers (P) and lock nuts (O). Do not over tighten.



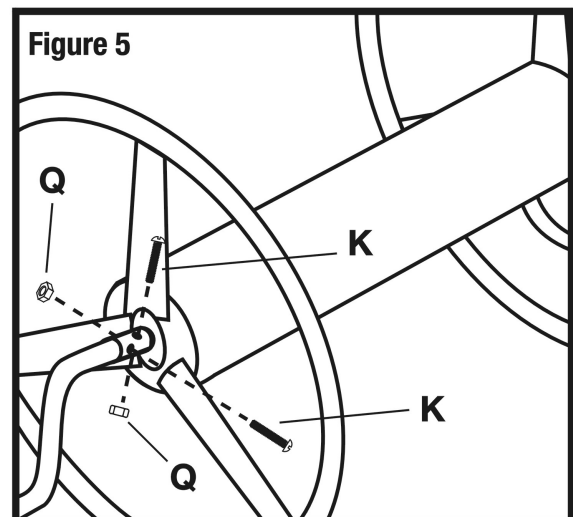
- 3. (SEE FIGURE 3)** Insert the end of crank handle (E) through crank hub of frame (A).



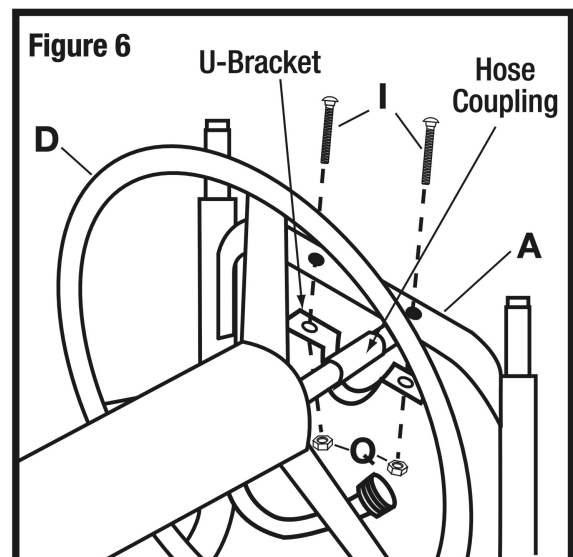
- 4. (SEE FIGURE 4)** Place hose reel (D) into frame assembly (A). Insert end of crank stem from hose reel (D) onto crank handle (E). Align crank handle (E) mounting holes with crank stem mounting holes.



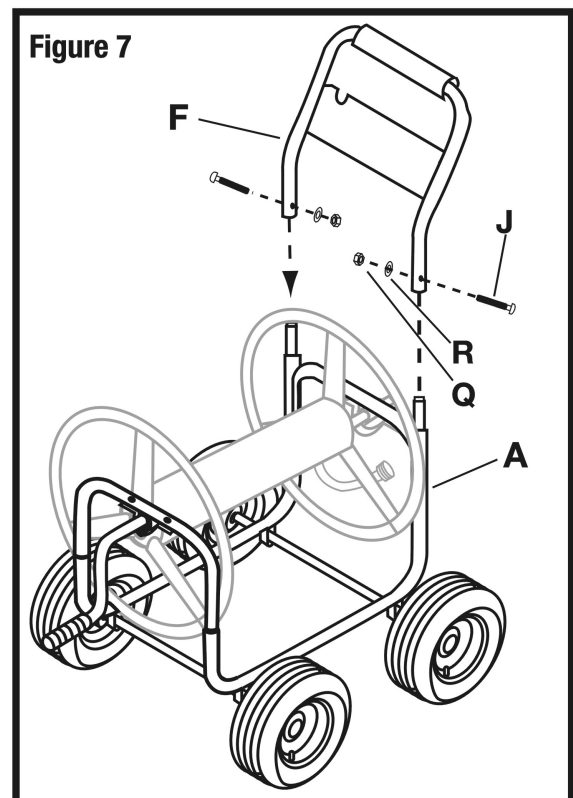
- 5. (SEE FIGURE 5)** Insert bolt (K) through inside hole of crank stem and crank handle hole, loosely fasten with lock nut (Q). Insert bolt (K) through outside hole of crank stem and crank handle hole and fasten with lock nut (Q). Tighten all fasteners securely.



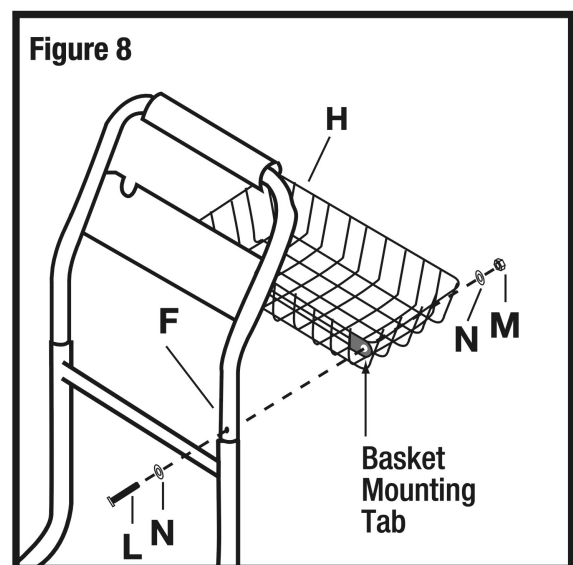
- 6. (SEE FIGURE 6)** Attach hose coupling end of hose reel (D) to frame (A), using U-Bracket. Fasten U-bracket to frame with carriage bolts (I) and lock nuts (Q). Tighten securely.



- 7. (SEE FIGURE 7)** Place handle (F) onto vertical posts of frame (A). Align mounting holes. Slide bolt (J) through mounting holes and place flat washer (R) onto bolt (J). Fasten handle (F) using lock nut (Q).

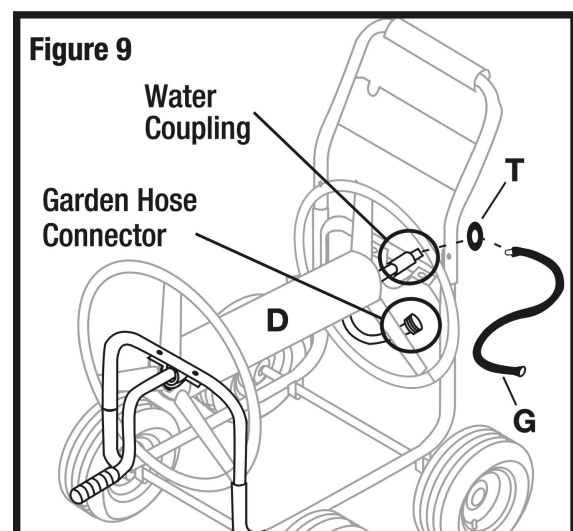


- 8. (SEE FIGURE 8)** Attach basket (H) to handle (F). Place flat washer (N) onto bolt (L) and slide both bolts through mounting holes of handle (F). Place basket (H) mounting tabs onto bolts (L) then place flat washer (N) onto both bolts. Fasten basket using hex nuts (M).



- 9. (SEE FIGURE 9)** Place rubber washer (T) into female end of water coupling on hose reel (D) drum. Attach one end of leader hose (G) to water coupling on hose reel (D) drum. Attach the other end of leader hose (G) to the water supply spigot. Attach garden hose to threaded garden hose connector and wind garden hose around hose reel (D).

NOTE: The hose reel will hold up to 350' of 5/8' garden hose. (Garden Hose Not Included)





BACKYARD *expressions*
 PATIO • HOME • GARDEN

<p>Please help us give you the best possible service by emailing your parts & service needs to:</p>	<p><u>ddiparts@ddicorp.com</u> <u>http://ddiretail.com/contact-us/</u></p>
----------------------------------------------------------------------------------------------------------------	--------------------------------------------------------------------------------------------------------------------------------------------------------------------------

Customer Name	
Mailing address	
Phone number	
Email address	
Item name	
Item UPC Code	Begins with 6-81129-08196
Date of purchase	
Name of Store	
Specific Issue	
Part needed – please identify from assembly instructions	

Please keep original purchase receipt for best service

Emails are responded to daily and are the most accurate way to communicate item/parts needs.

This form is also available online at: <http://ddiretail.com/contact-us/>



– if you prefer you may also leave a message or send a text to this number: 1-612-888-7550–
 Your message will be replied to in the order received.