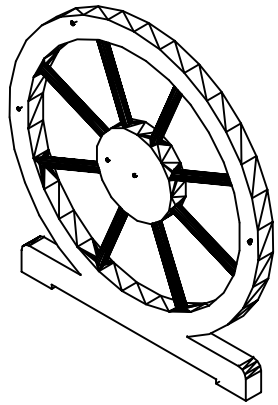
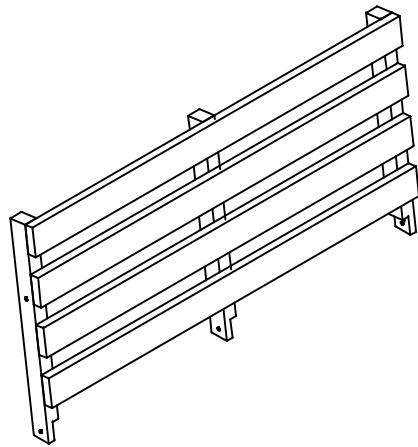


ASSEMBLY INSTRUCTION

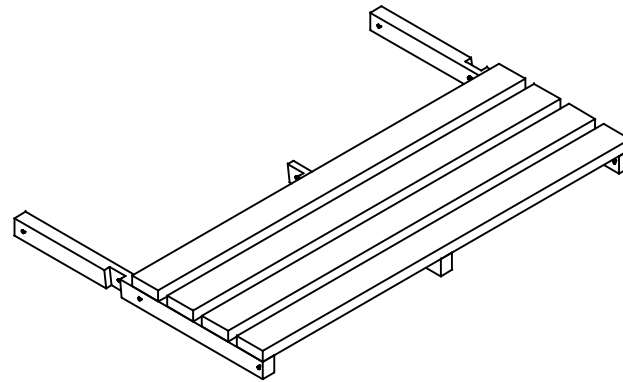
UPC#906969



A: 2pcs



B: 1pc



C: 1pc

D: 10SET

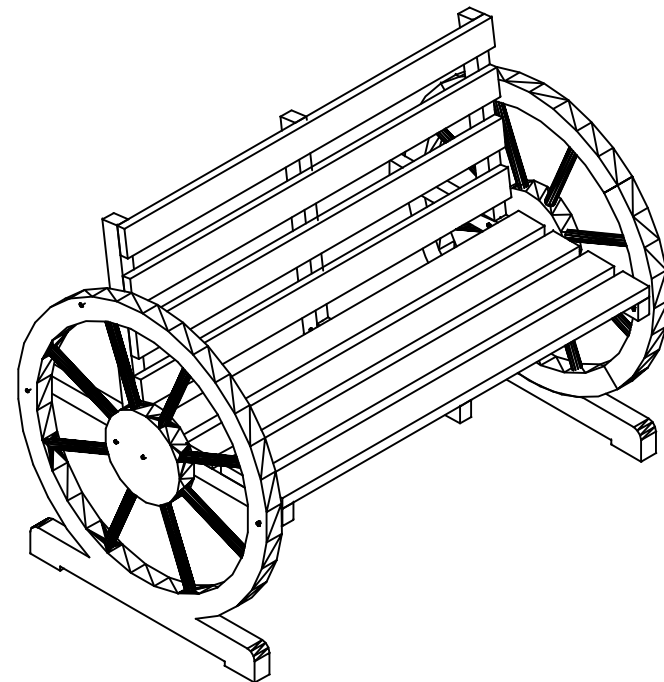
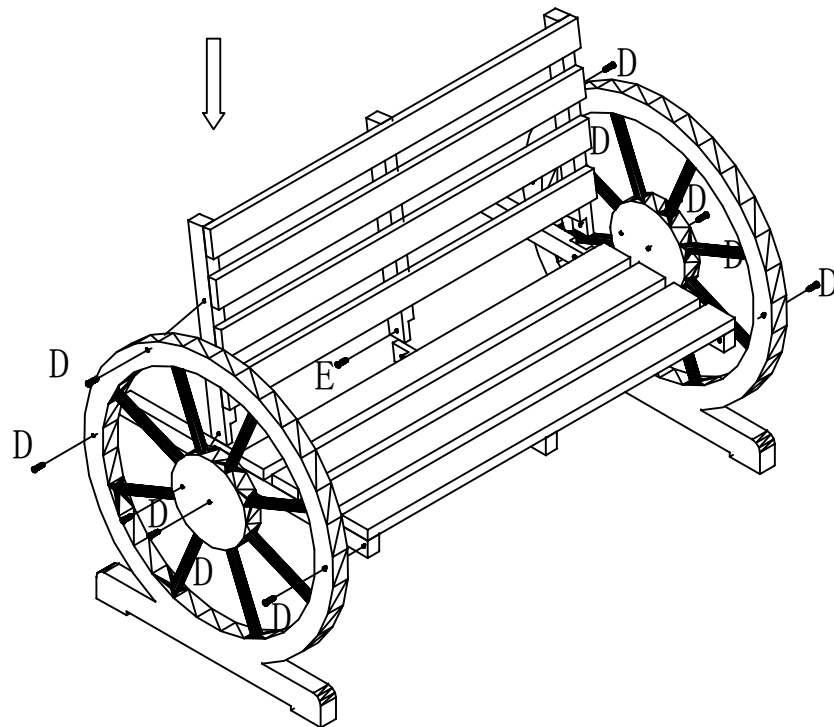


M6X85

E: 1SET



M6X45





BACKYARD *expressions*
PATIO • HOME • GARDEN

Please help us give you the best possible service by emailing your parts & service needs to:

ddiparts@ddicorp.com

<http://ddiretail.com/contact-us/>

Customer Name

Mailing address

Phone number

Email address

Item name

Item UPC Code

Begins with 6-81129-

Date of purchase

Name of Store

Specific Issue

Part needed –
please identify
from assembly
instructions



Please keep original purchase receipt for best service

Emails are responded to daily and are the most accurate way to communicate item/parts needs.

This form is also available online at: <http://ddiretail.com/contact-us/>

– if you prefer you may also leave a message or send a text to this number: 1-612-888-7550–.
Your message will be replied to in the order received.