

906618 Devonshire Gazebo





WARNING

When assembling and using this product, basic safety precautions should always be followed to reduce the risk of personal injury and damage to the product.

Please read instructions prior to assembly and use. Do not use excessive force during set up.

Package may contain small items be sure to keep away from small children.

Please use common sense and be aware of your safety during assembly. Wear protective gloves if necessary. It is recommended to have a minimum of 2 people available for a safe assembly.

Begin assembly no less than 8 ft. from any obstruction such as a fence, house, overhanging branches, or electrical wires.

Install on level ground.

This shade product is intended for sunshade and enjoyment purposes and is not considered a permanent structure. Large shade pieces catch more wind than many people realize. Even a moderate wind could be enough to damage the fabric and frame if instructions are not followed. It is not meant to withstand damaging weather conditions, including wind, rain, snow or lightning. Do not use during these conditions. Manufacturer is not responsible for weather related damages - including but not limited to wind, rain and other adverse weather conditions.

Water may pool on the canopy top if used during a rain event. This may cause the frame to collapse. The canopy is water resistant, not waterproof and may leak during exposure to precipitation.

Taking off your canopy and fabric side panels is always recommended when your gazebo is not in use.

Always secure, stake or weigh down shade canopy during assembly and once setup.

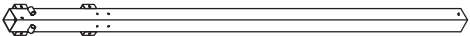
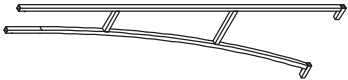

















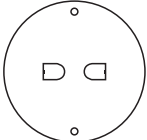

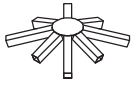
We DO NOT recommend assembly or use during weather events such as wind, rain or other adverse conditions. Provided stakes are to keep canopy in place during assembly and are NOT designed as a permanent method of securing canopy to protect it from weather damage.

Keep all flame and heat sources away from material. It is not fireproof. It will burn if left in contact with any heat or flame source.

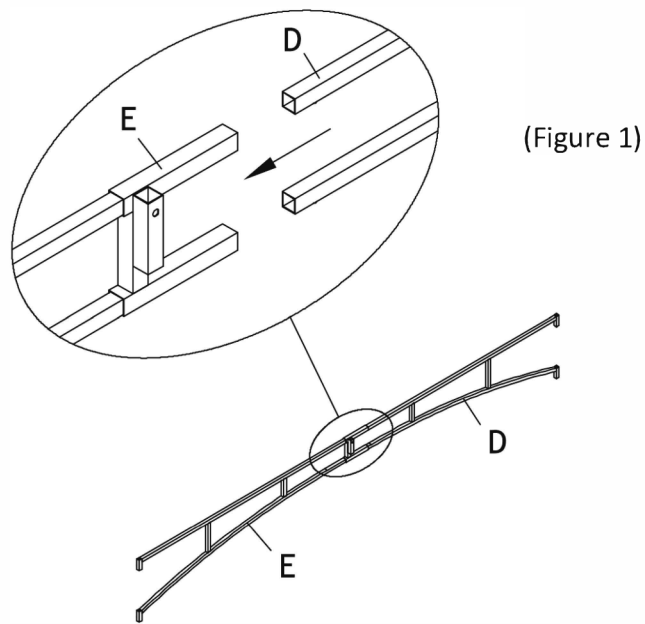
The application of any foreign substance to the canopy may render the flame-resistant properties ineffective.

This shade product is designed to be a temporary structure for shade purposes. It is recommended to be taken down and stored in a dry location after each use. It should not be left up unattended, overnight or during adverse weather conditions. Wipe down and dry off metal parts. Canopy should be dried prior to storage.

Parts list

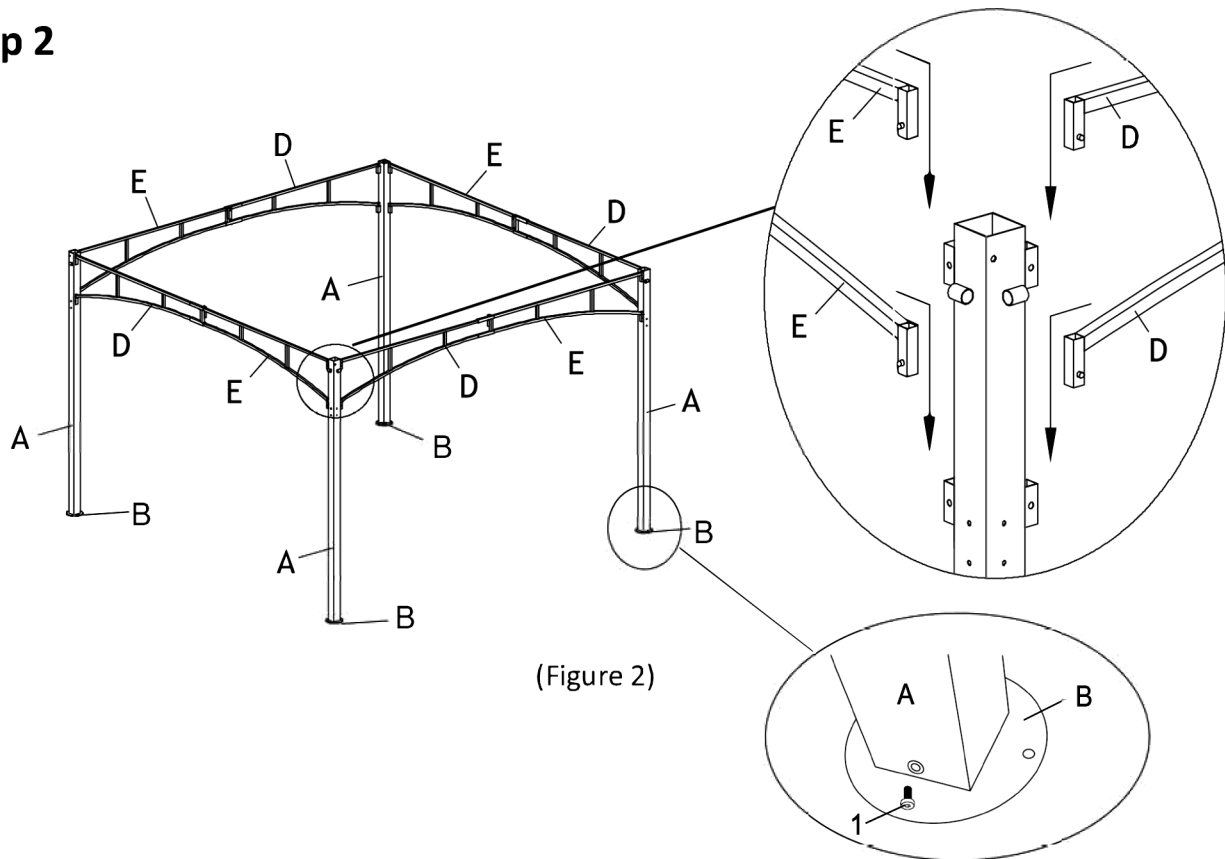
 <p>A x 4PCS</p>		 <p>D x 4PCS</p>	
 <p>E x 4PCS</p>		 <p>F x 4PCS</p>	
 <p>G x 4PCS</p>		 <p>H x 3PCS</p>	 <p>H1x 1PC</p>
 <p>J x 4PCS</p>		 <p>L x 4PCS</p>	
 <p>M x 4PCS</p>			
 <p>P x 4PCS</p>	 <p>O x 1PC</p>	 <p>N x 2PCS</p>	 <p>Q x 30PCS</p>
 <p>R x 12PCS</p>	 <p>S x 4PCS</p>	 <p>M6x15mm ① x 20PCS</p>	 <p>② x 8PCS</p>
 <p>T x 4PCS</p>	 <p>B X 4PCS</p>	 <p>C X 1PCS</p>	 <p>I x 1PC</p>

Step 1



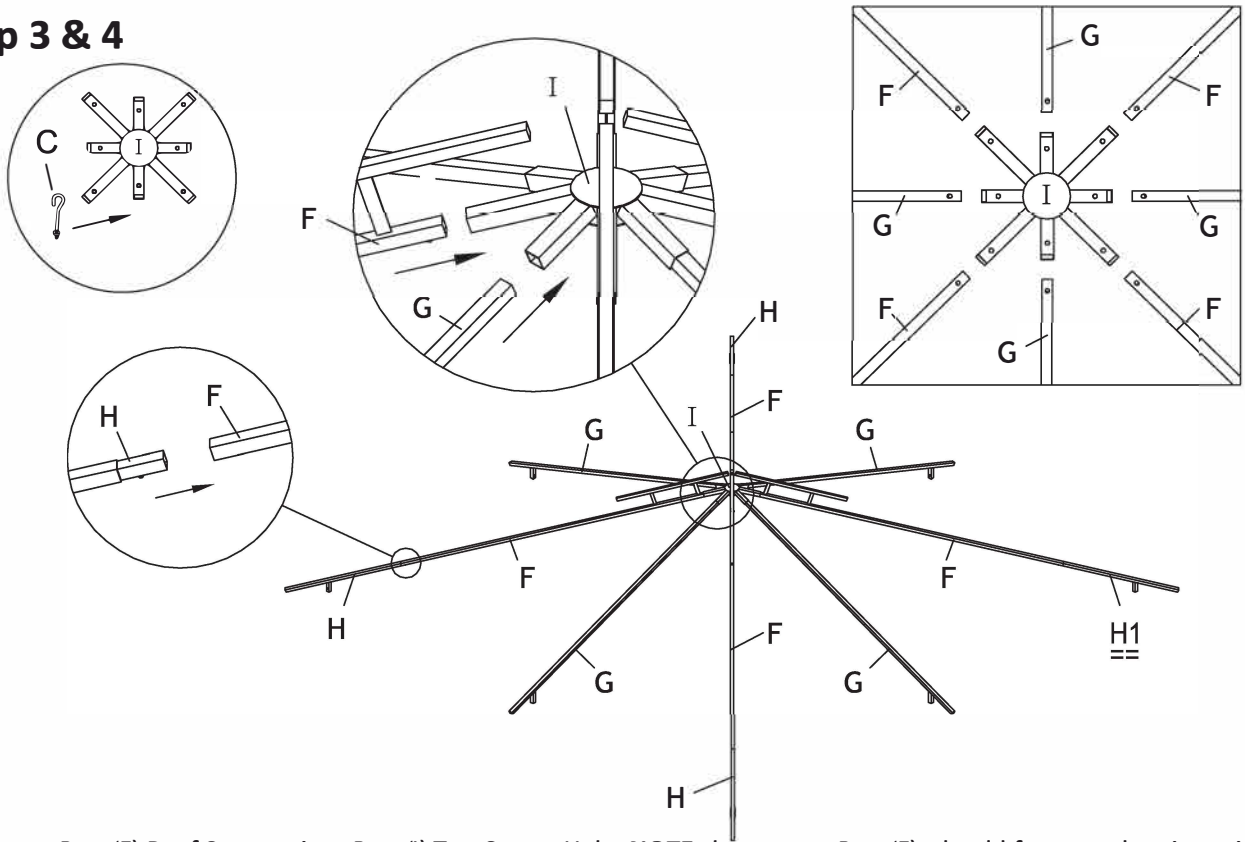
Step 1-Assemble Part (D) Side Panel with Part (E) Side Panel. Repeat for all 4 sides.

Step 2



Step 2- Set corner posts as shown in Figure 2. Slide side panels that were assembled in Step 1 into the metal pockets until the push pins snap in to place. Repeat for all 4 sides and secure with temporary ground stakes (included Part R)until assembly is completed. Replace temporary ground stakes with more durable/permanent system. Provided stakes "R" to keep canopy in place during assembly only and are not designed as a permanent method of securing canopy.

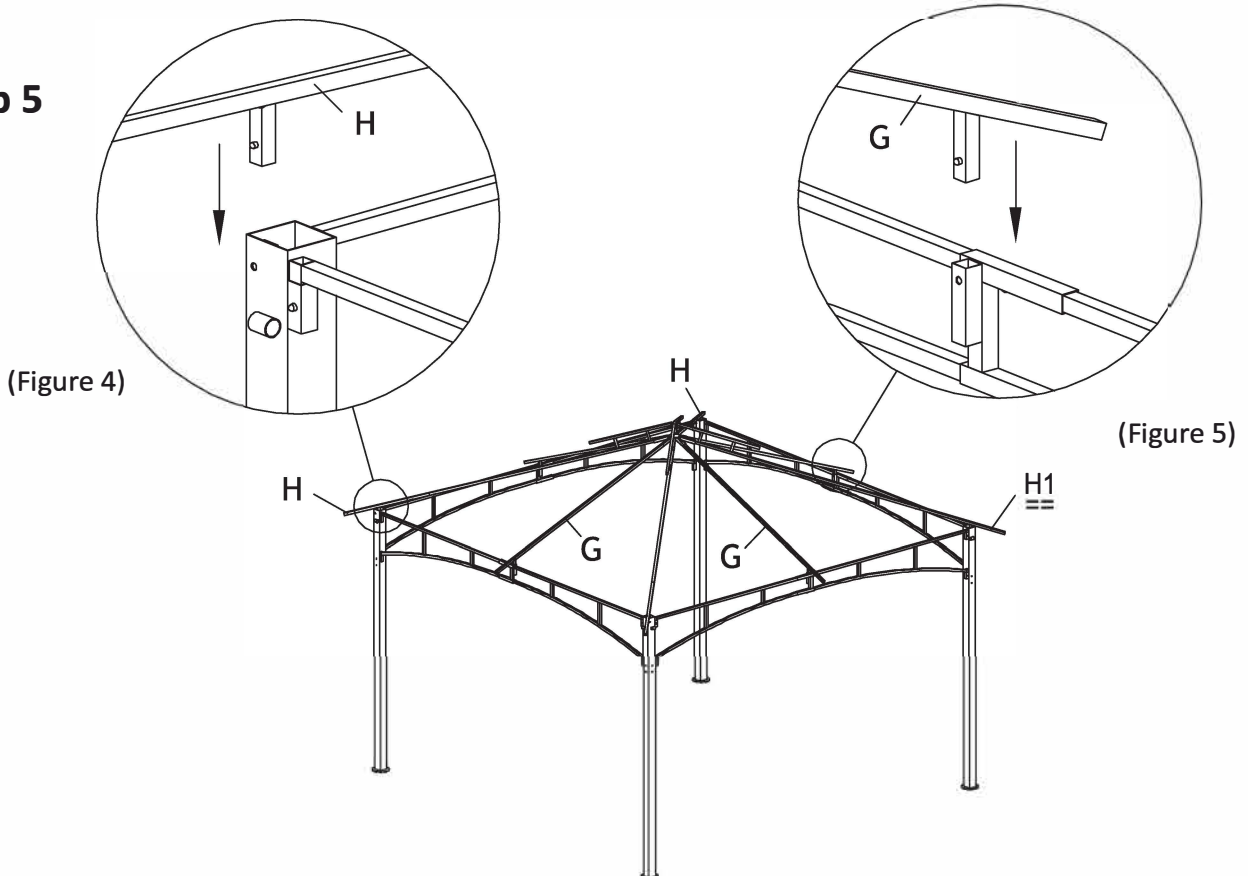
Step 3 & 4



Step 3-Insert Part (F) Roof Support into Part (I) Top Center Hub. **NOTE**-the step on Part (F), should face up when inserting into Part (I). Insert Part (G) into Part (I) Top Center Hub. **NOTE**-Part (F) and Part (G) should alternate when inserting into Part (I).

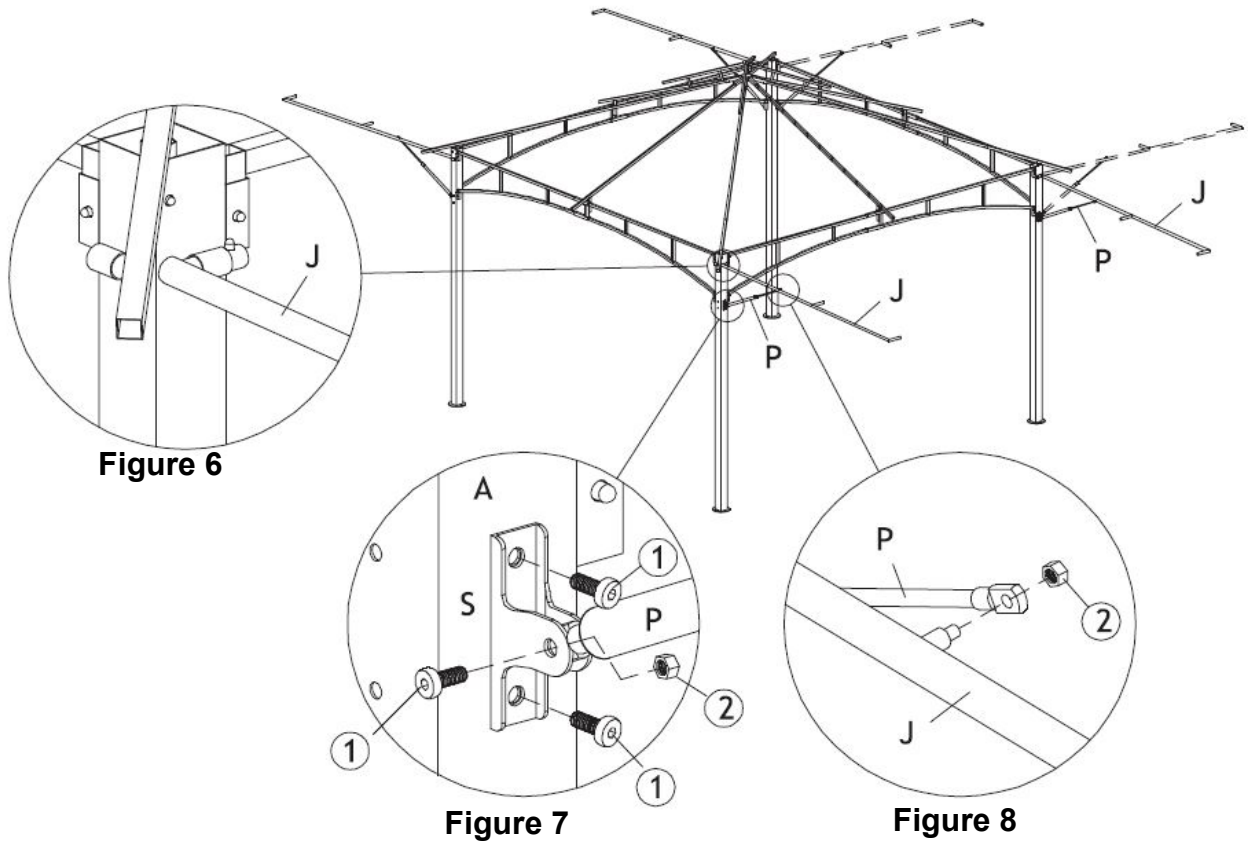
Step 4-Insert Part (H or H1) Extension into Part (F) Roof Support. **NOTE**-The small bar extrusion should be facing down.

Step 5



Step 5-Lift the Roof Structure that was assembled in Step 3 and Step 4 over the Frame. The longer roof supports Part (F) and Part (H) will fit into the corner posts (Figure 4). The shorter roof supports Part (G) will fit into the center side panels (Figure 5). Insert into metal pockets until the push pins snap into place.

Step 6 & 7

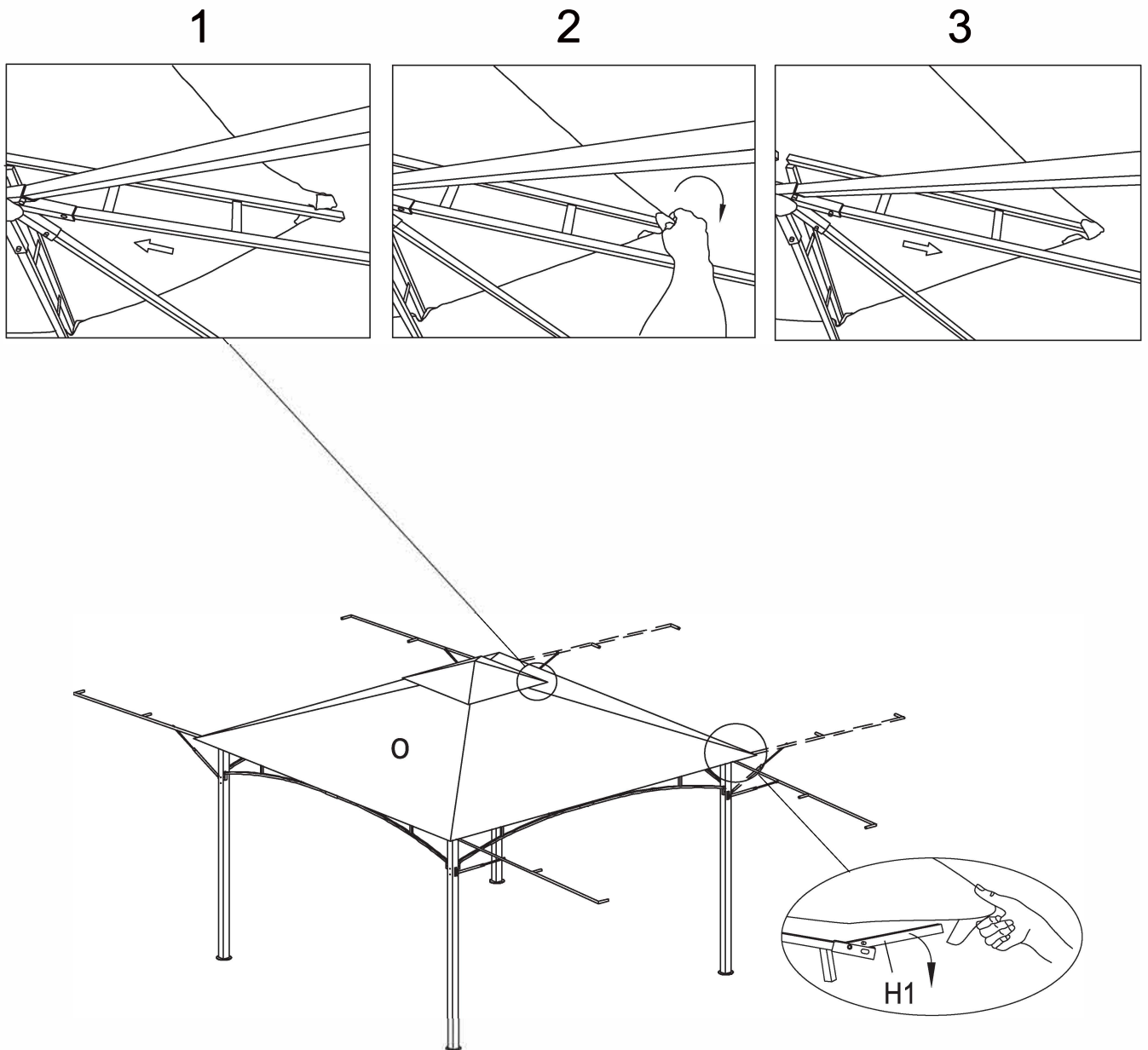


NOTE-The two Side Extensions can be placed on any of the four sides and can be interchangeable from side to side.

Step 6-Slide Part J Side Support into the top metal ring located on the Part A Corner Post (Figure 6) until the push pins snaps into place. Repeat for the second side.

Step 7-Slide Part P Arm Support into bracket located on Part A Corner Post. Fix them together with Bolts 1 and Nuts 2. (Figure7) Take top of part P Arm Support and fix it to Part J Side Support with Nut 2. (Figure 8)

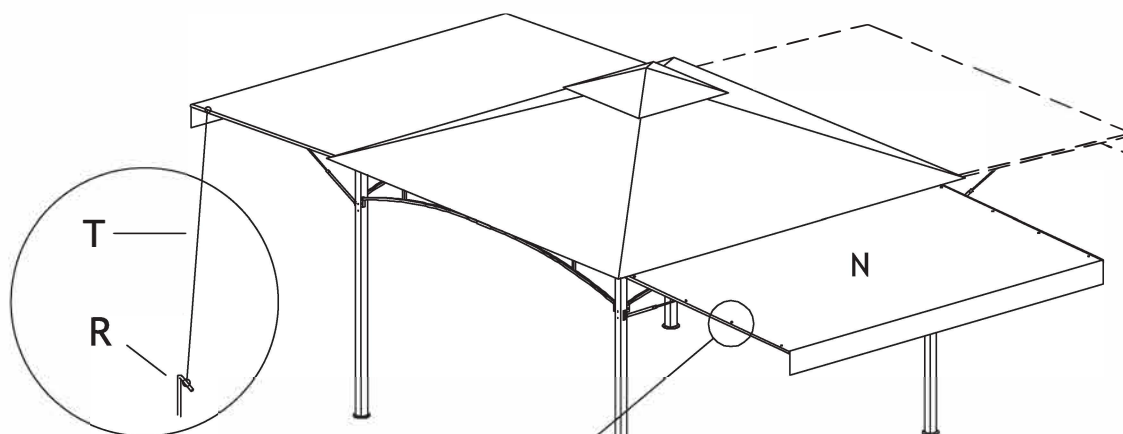
Step 8



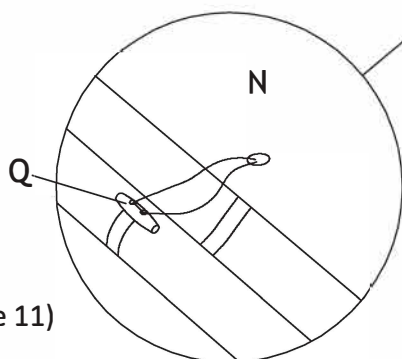
Step 8- The canopy is designed to have a tight fit on the frame of the gazebo. It is important that you put the canopy on the top frame correctly so you do not have to manually pull the canopy corners into place. Following instructions properly concerning Part (H) will make putting your canopy on much easier.

When putting your canopy on the gazebo it is important that you depress the push pin on part (H1) so the extending arm flips up. Secure all three corners of the canopy on the frame leaving Part (H1) as the last canopy corner to secure. ****It is important that you leave the corner with part (H1), as the last canopy corner to secure. With the extending arm up, put the corner pocket of the canopy in place over part (H1). Slowly pull Part (H1) down until the push pin pops into place.**

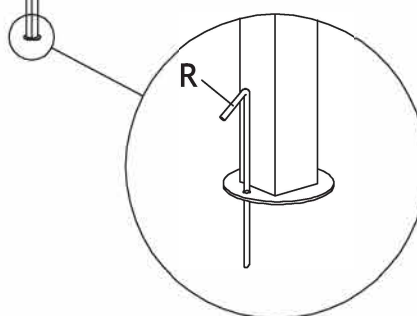
Step 12



(Figure 14)



(Figure 11)



(Figure 12)

Step 12-Fasten Part (Q) Bungee Ties to Side Panel Frame. See Figure 11

Step 13- Insert Part (R) Ground Stakes in the bottom of each leg frame as shown in Figure 12. There are two holes for stakes in the bottom of each leg.

Step 14- OPTIONAL – Part (T) – Tie Down Rope can be tied to the extending side frame, part (J) and part (K). This will not prevent potential damaged due to high winds. This is meant as a shade structure.

NOTE-Each Side panel can be folded down and secured to the frame with the Velcro Straps at the base of the leg.



PATIO • HOME • GARDEN

Customers and Stores - Please help us give you the best possible service by emailing your parts and service needs to: **customerservice@ddicorp.com**

Emails are responded to quickly and are the fastest and most accurate way to communicate item/parts needs.

PLEASE KEEP ORIGINAL RECEIPT AND INSTRUCTION MANUAL for possible future reference. **Original receipt is required for any warranty claims**

In addition to your purchase receipt please include the following information in your email:

Item Name	10' x 10'Devonshire Gazebo w/hydraulic hinges w/regular top
Item Code /UPC Code (Begins with 6-81129-)	6 81129066186
Specific Issue	
Part Needed—Please Identify from Assembly Instructions	
Your Shipping Address	

Parts and parts listings for many of our products can be found at:
<https://backyard-expressions.com/collections/replacement-parts>

PRODUCT WARRANTY SHALL NOT APPLY TO ANY PRODUCT OR ANY PART THEREOF, WHICH HAS BEEN SUBJECT TO ACCIDENT, NEGLIGENCE, WEATHER RELATED DAMAGE, ALTERATION, ABUSE, OR MISUSE OR TO PRODUCT SOLD AS-IS, END OF SEASON, OPEN BOX OR OTHER SUBSTANTIALLY DISCOUNTED PRODUCT. DDI MAKES NO WARRANTY WHATSOEVER IN RESPECT TO ACCESSORIES OR PARTS NOT SUPPLIED BY US.

DDI IS NOT RESPONSIBLE FOR ANY INCIDENTAL OR CONSEQUENTIAL DAMAGES, WHICH MAY ARISE OUT OF THE PURCHASE OR USE OF ANY DDI PRODUCT. PRODUCT LIABILITY FOR ANY BREACH OF THIS WARRANTY SHALL BE AT THE DISCRETION OF DDI AND LIMITED TO REPAIR OR REPLACEMENT OF THE DEFECTIVE PRODUCT.

WARRANTY CLAIMS RECEIVED 90 DAYS AFTER PURCHASE DATE (RECEIPT REQUIRED) MAY BE SUBJECT TO ADDITIONAL COSTS AND ARE ASSESSED BY THE WARRANTY CLAIM DEPARTMENT.

If you prefer you may also leave a message or send a text to **1-612-888-7550**
 Your message will be responded to during normal weekday business hours in the order received.