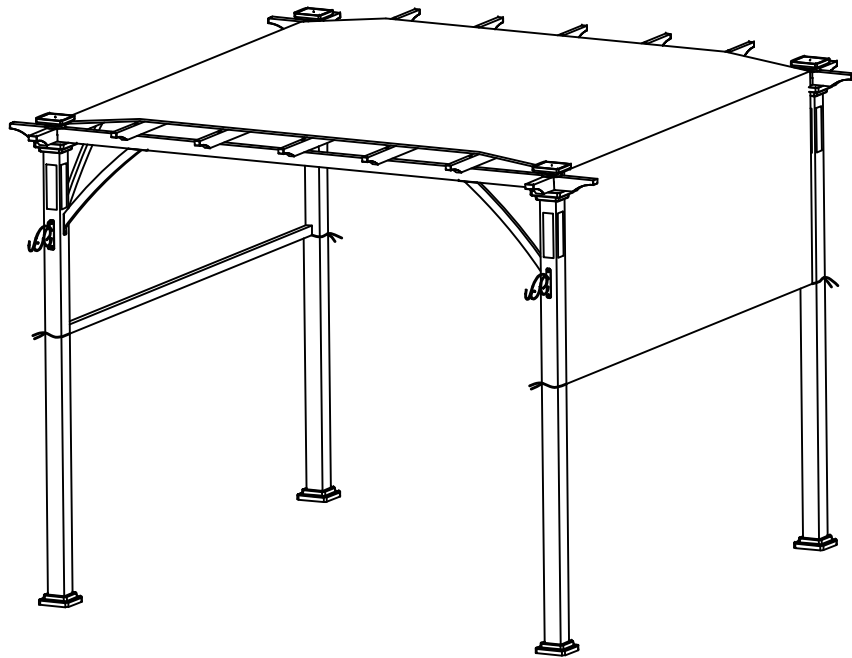


# Oakmont LED Pergola

UPC: 906135

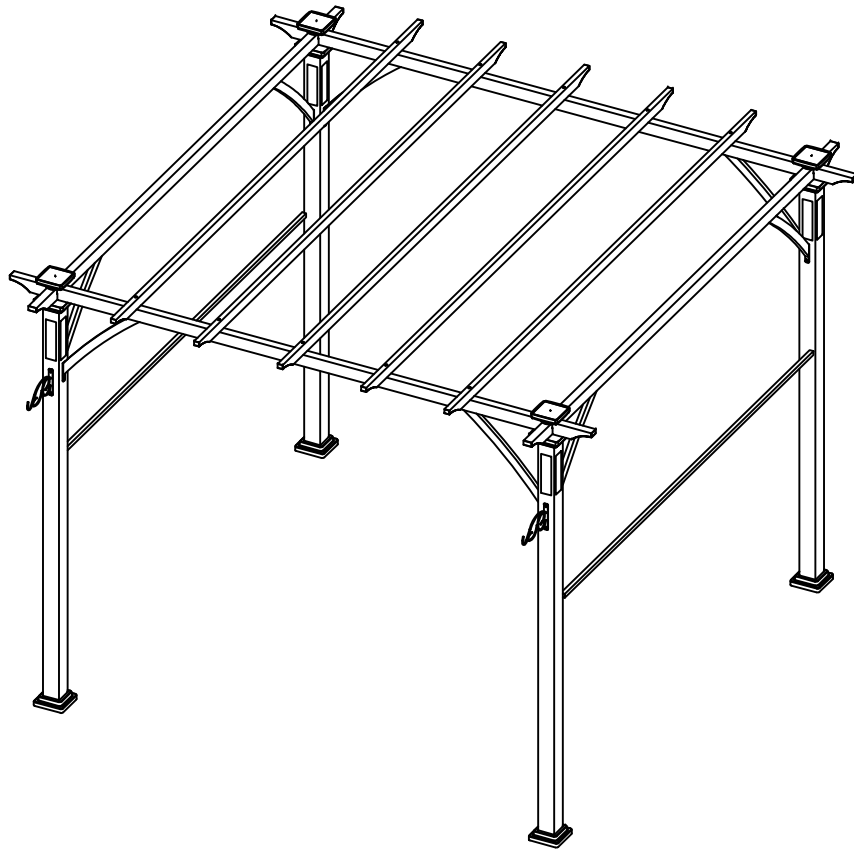


## Shade Structure Care and Maintenance Instructions

- Shade structure is NOT meant as a year round structure. Shade structure should be taken down and stored in a dry location during winter.
- Do NOT leave cover on year round.
- Remove cover/top with poor weather (rain, winds, snow, etc.) is coming.
- It is recommended to only use the cover/top when the shade structure is being used. Roll up and store cover/top when shade structure is not in use to help preserve the cover/top/
- To clean clover/top please use mild soap and water
- DDI is not responsible for damage to shade structure due to Acts of God.
- Wind conditions can cause damage to the shade structure.

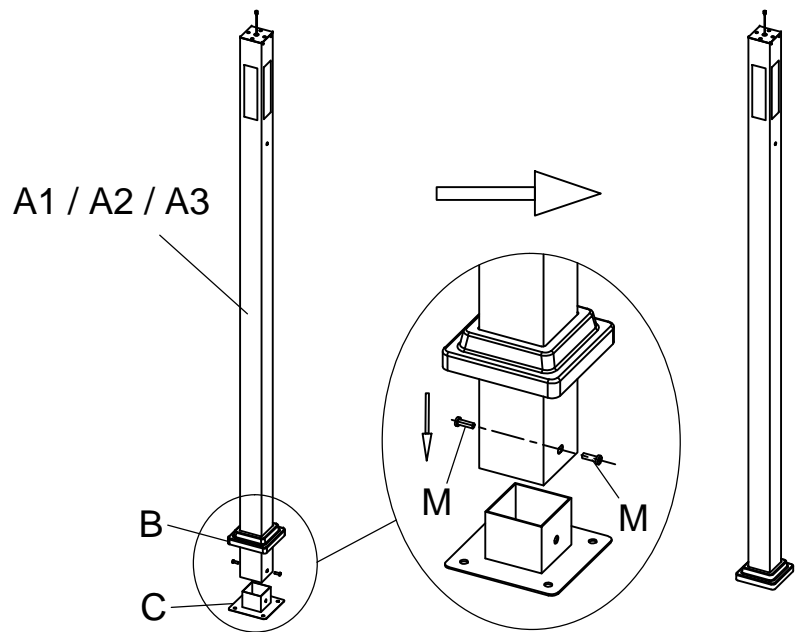
## Warning

- Please read all instructions prior to assembly and use.
- Some parts may contain sharp edges. Wear protective gloves if necessary. It is recommended to have 3 people available for a safe assembly.
- Keep all children and pets away form the assembly area.
- Begin assembly no less than 8 ft. form any obstruction such as a fence, house, overhanging branches, laundry lines and electrical wires.
- Install on level ground.
- The gazebo is intended for decorative and sunshade purposes and is not considered a permanent structure. It is not meant to withstand extreme weather conditions, including high wind, heavy rain or snow. Weather related damages will not be covered by the manufacturer.
- Keep all flame and heat sources away from material. It is not fireproof. It will burn if left in contact with any flame source.
- **Do not hang heavy objects from the frame structure of the Garden Pergola. This may cause tipping or damage to the frame.**



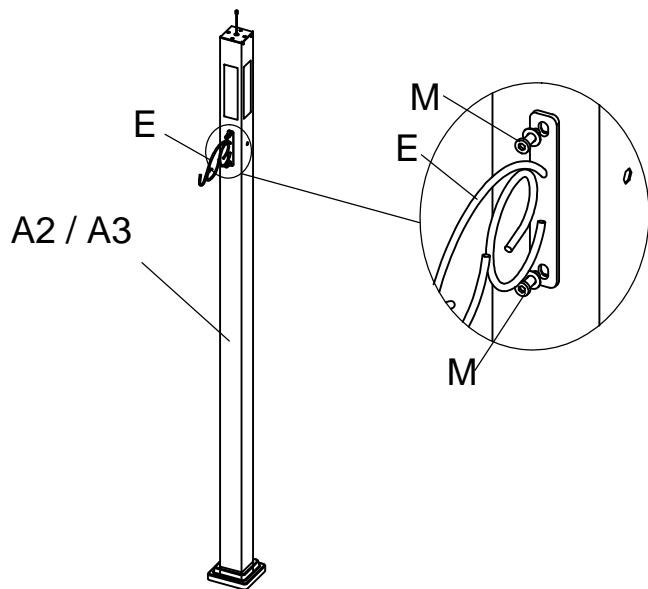
## Parts List

ITEM	DESCRIPTION	QTY	ILLUSTRATION
A1	Post 1	2	
A2	Post 2	1	
A3	Post 3	1	
B	Base Cap	4	
C	Flange Base	4	
D	Supporting Tube	8	
E	Hook	2	
F	Top Cap	4	
G	Long Crossbar	2	
H	Short Crossbar	2	
I	Short Roof Beam	5	
J	Weight Bar	2	
K	Top	1	
L	Stake	16	
M	Short Screw	28	M6x15mm
N	Medium Screw	10	M6x60mm
O	Long Screw	16	M6x80mm
P	Hex Wrench	2	
Q	Self-tapping Screw	8	M5x12mm
R	Solar Panel	4	
S	Plastic Panel Mount	4	
T	Remote Control	1	



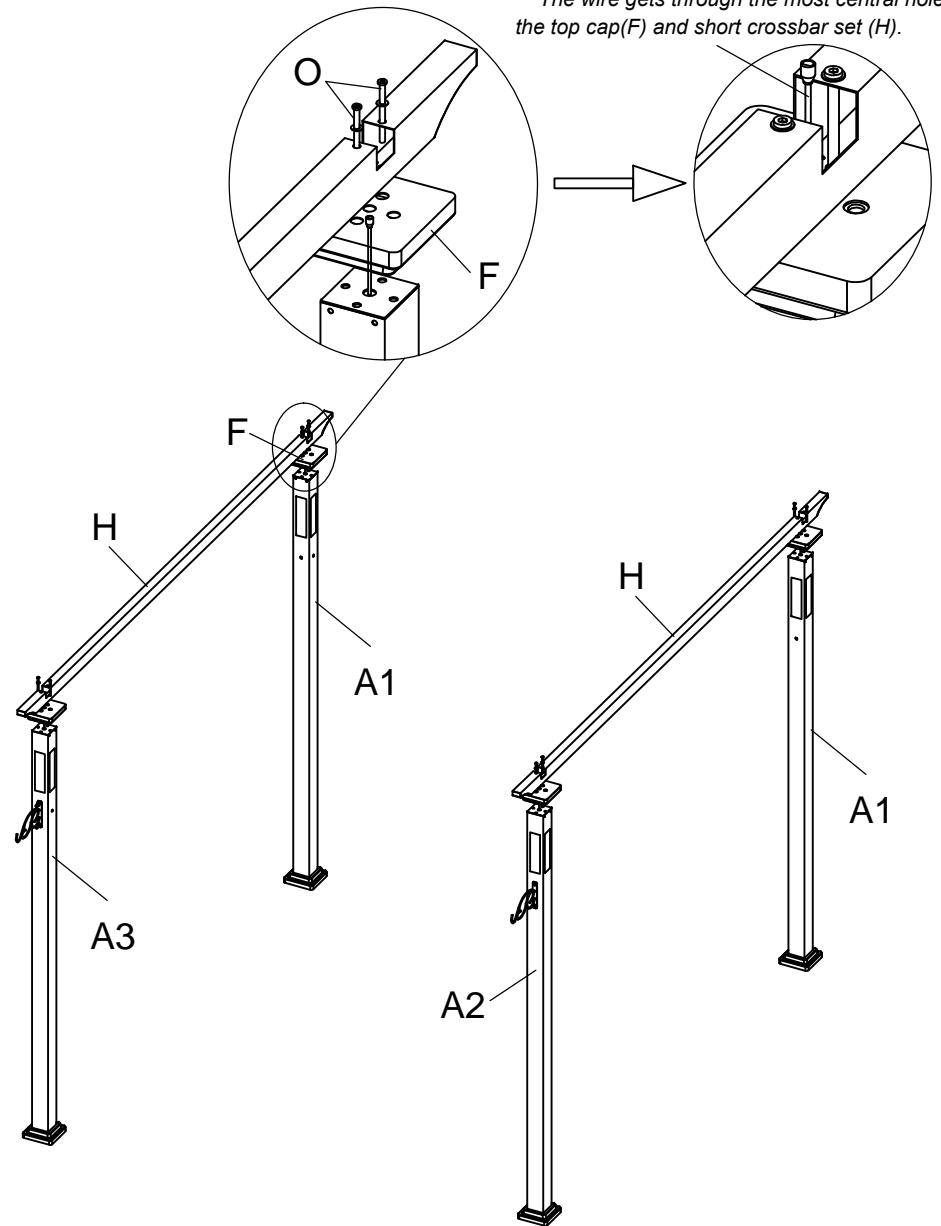
1. Insert base cap (B) onto post (A1, A2 or A3). Then set post onto Part C and secure with screws (M). Repeat for remaining posts.

\*\* PLEASE NOTE - Post A1 will have screw holes just under the Light on the post. Please be sure these are placed to the outside of the pergola frame as the Plant Hangers - Part E will be secured to this locations later.



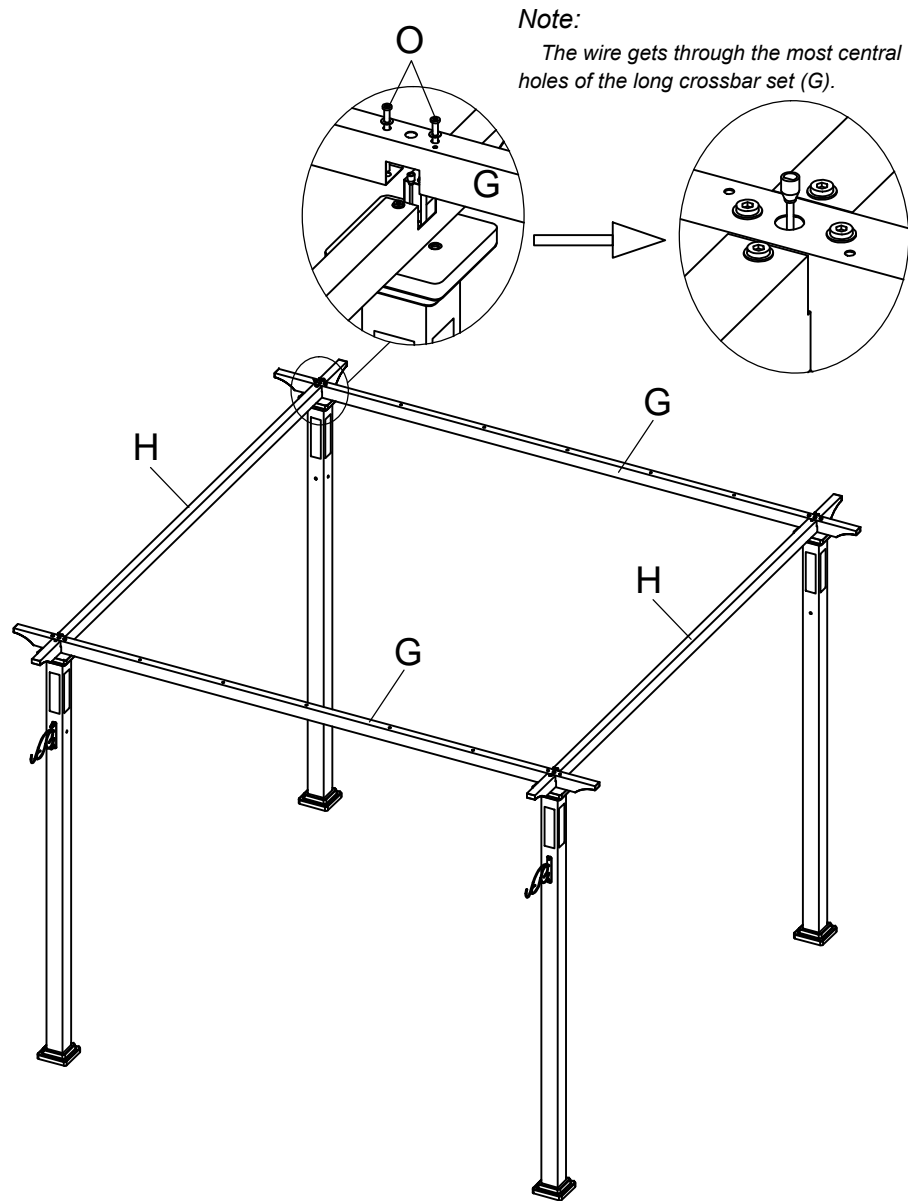
2. Screw the hook (E) to the post (A2), (A3) by screw (M).

Note:  
The wire gets through the most central holes of the top cap(F) and short crossbar set (H).



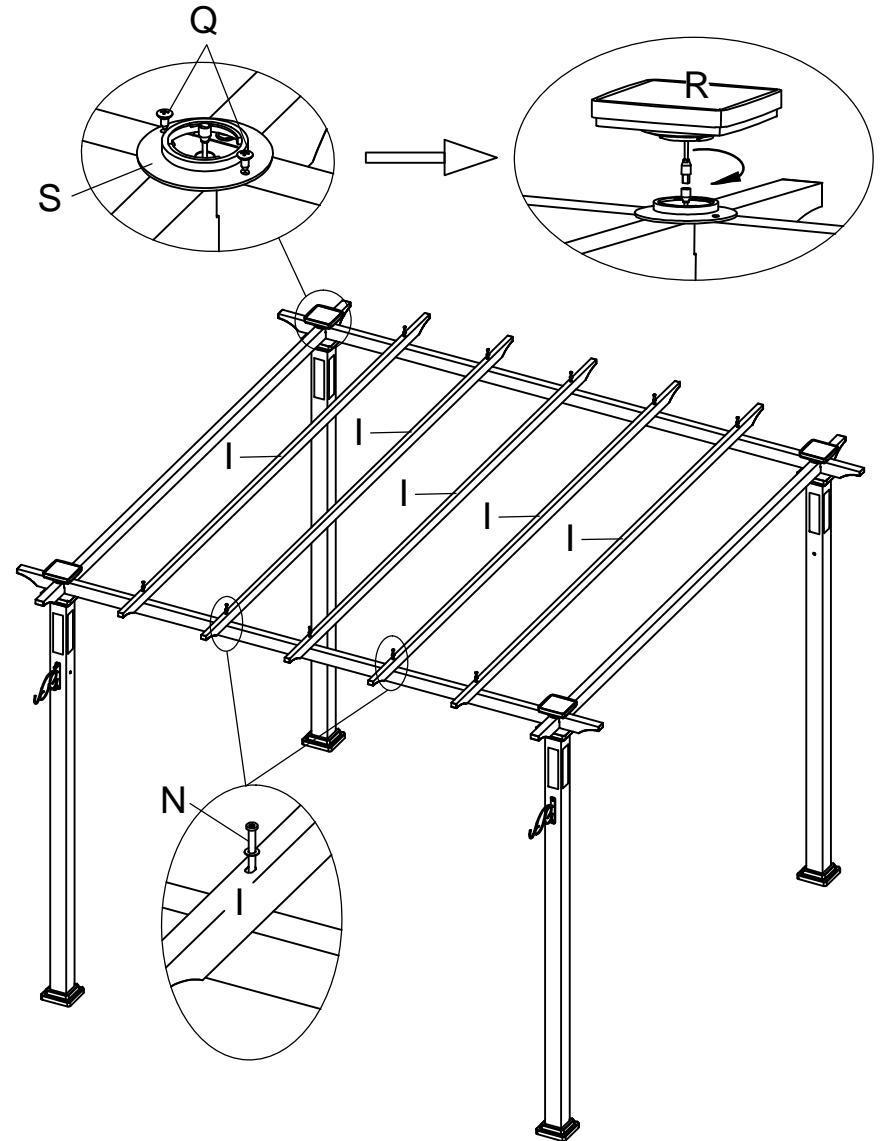
**You need 3 persons for this step.**

3. Place Part F Top Cap on top of Post (A1, A2, or A3). Place Part H-Short Crossbar (H) over top cap and secure Short Crossbar to Top Cap (F) and Post using long screw (O) as shown.



**You need 3 persons for this step.**

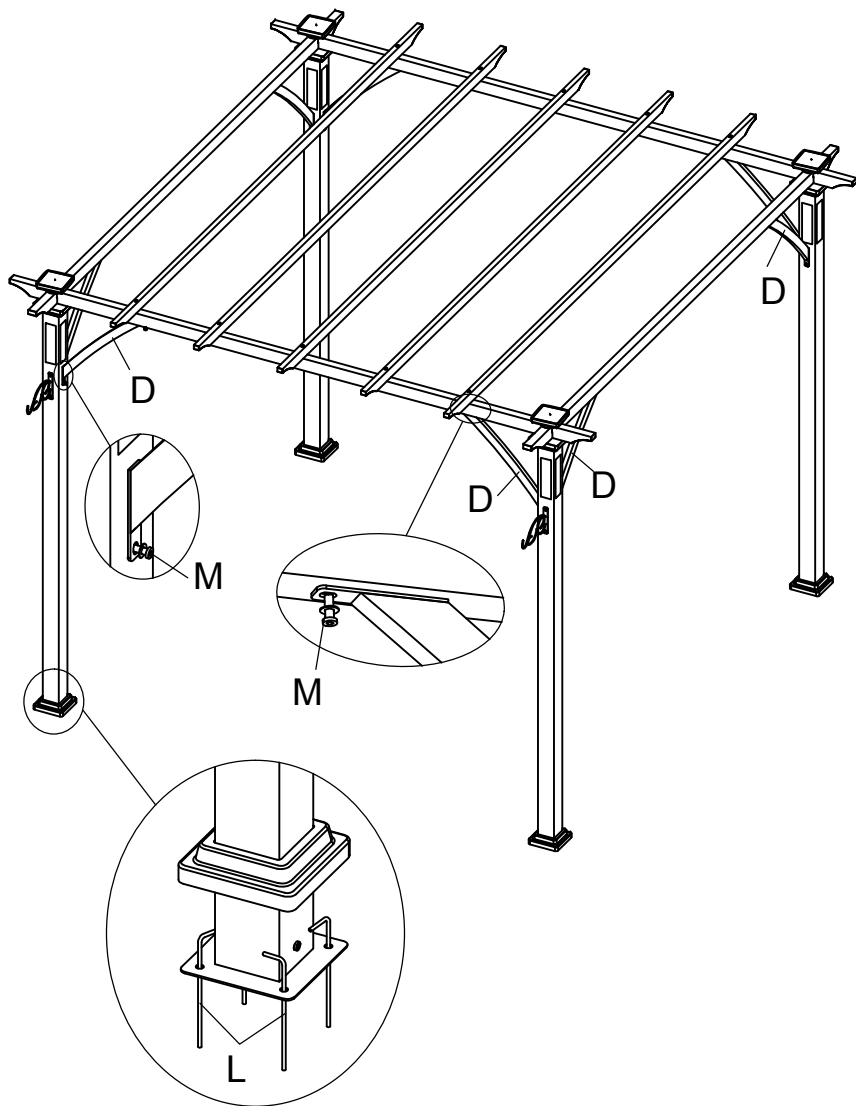
4. Place the assembled long crossbar set (G) over the short crossbar set (H), then secure long crossbar set (G) through short crossbar set (H) onto the post (A1,A2,A3) by using long screw (O) as shown. Repeat for remaining long crossbar set (G).



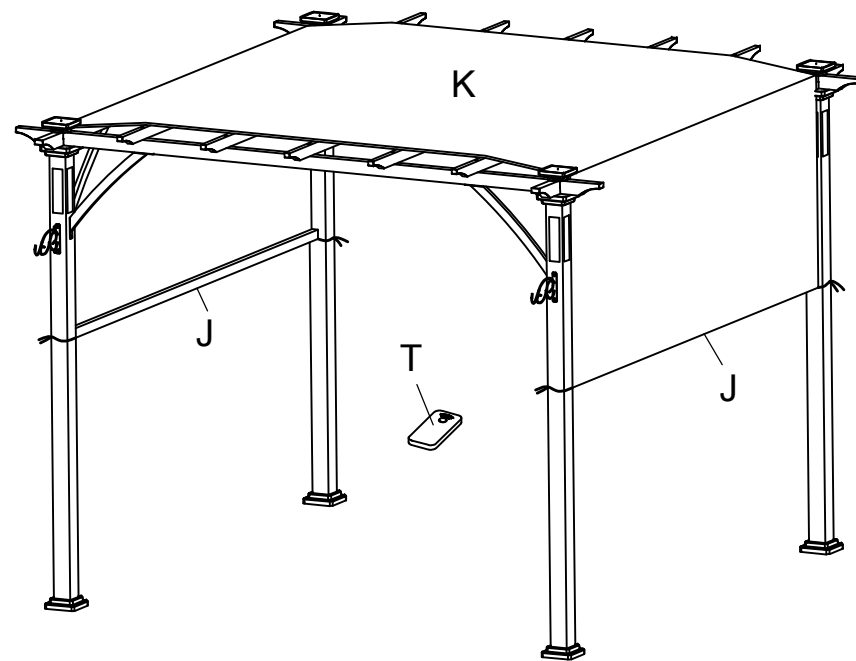
5. Place the Short Roof Beam (I) on top of the Long Crossbar (G) and secure using Medium Screw (N). Repeat for remaining 4 pcs of Short Roof Beam. Repeat for all assembled roof tube set.

6. Place the Plastic Solar Panel Mount (S) on top corner of each post as shown. Secure with two Self Tapping Screws (Q)

7. Connect the two plugs and twist the solar panel (R) to the right place.








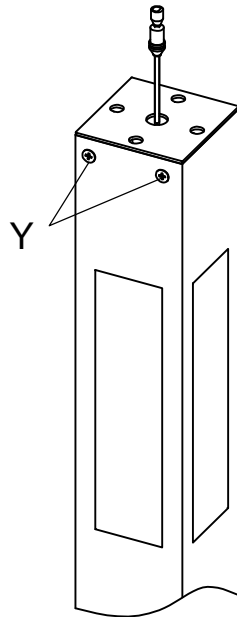
8. Attach the supporting tube (D) onto crossbar set (G, H) and post (A1,A2,A3) with short screw (M) as shown.
9. Raise up the base cap (B), put the stake (L) though the base flange (C) and insert the into the earth, then put down the base cap (B).



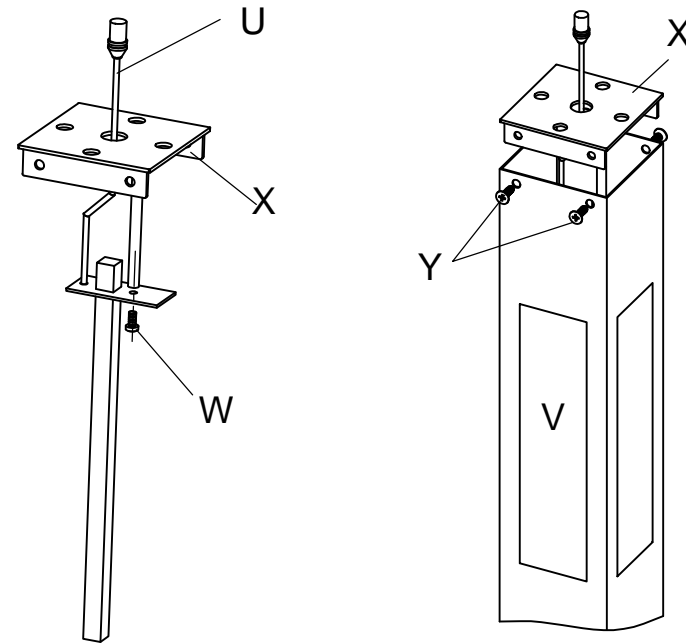
10. Put the top (K) on the pergola and put the weight bar (J) into the top (K).
- 11 Use the remote control (T) to turn on and off the lights.
- 12: It is recommended to charge the solar panels a minimum of 4 hours prior to the first use. Solar panel charging efficiency may be affected during cold weather with reduced length of lighting capabilities.

## Replacement parts

ITEM	DESCRIPTION	ILLUSTRATION
U	light	
V	lampshade	
W	Small Screw	 M4x8mm
X	Post cap	
Y	Self-tapping Screw	 st4x12mm



Remove the solar panels, covers and beams; then Screw out the four screws (Y) on the post with a cross screwdriver.



As shown above, fasten the lamp (U) to the cover (X) with a small screw (W). The lamp wire passes through the center hole of the cover (X); and the cover and the post are fixed together with the tapping screw (Y).  
Then follow the previous steps to install the post back



# **BACKYARD** *expressions*

PATIO • HOME • GARDEN

**Please help us give you the best possible service by emailing your parts & service needs to: [ddiparts@ddicorp.com](mailto:ddiparts@ddicorp.com)**

**Emails are responded to daily and are the most accurate way to communicate item/parts needs.**

This form is also available online at: <http://ddiretail.com/contact-us/>



Customer Name	
Mailing address	
Phone number	
Email address	
Item name	
Item UPC Code	Begins with 6-81129-
Date of purchase	
Name of Store	
Specific Issue	
Part needed – please identify from assembly instructions	

Please keep original purchase receipt for best service

– if you prefer you may also **leave a message** or send a **text** to this number: 1-612-888-7550–  
Your message will be replied to in the order received.

**Many parts are available to purchase from our website:**

<https://backyard-expressions.com/collections/replacement-parts>