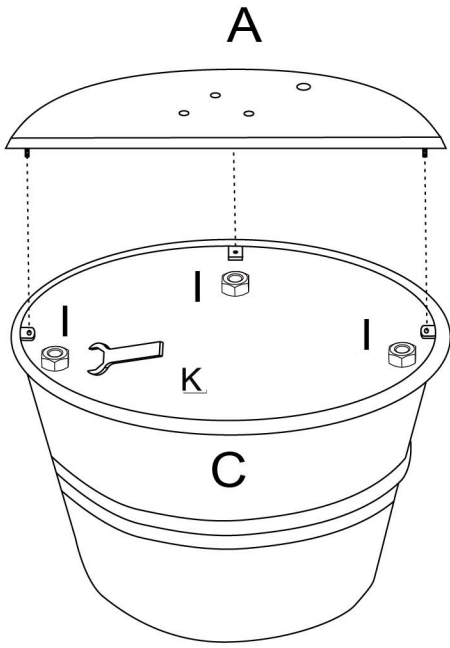


ASSEMBLY INSTRUCTIONS

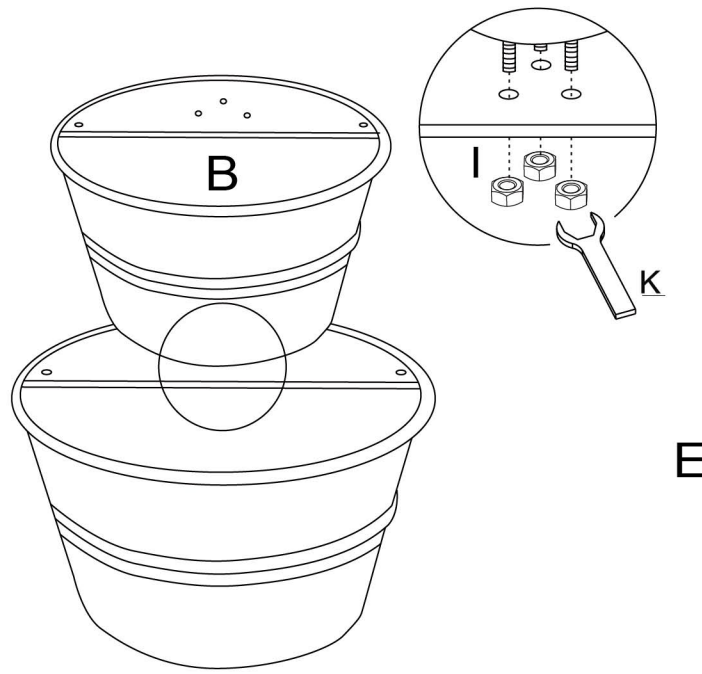
Fountain

UPC 906029

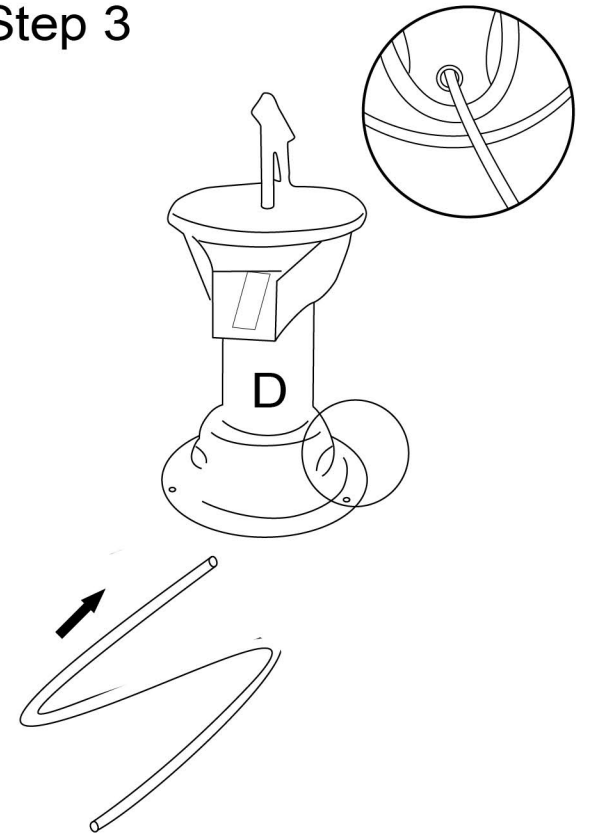
Step 1



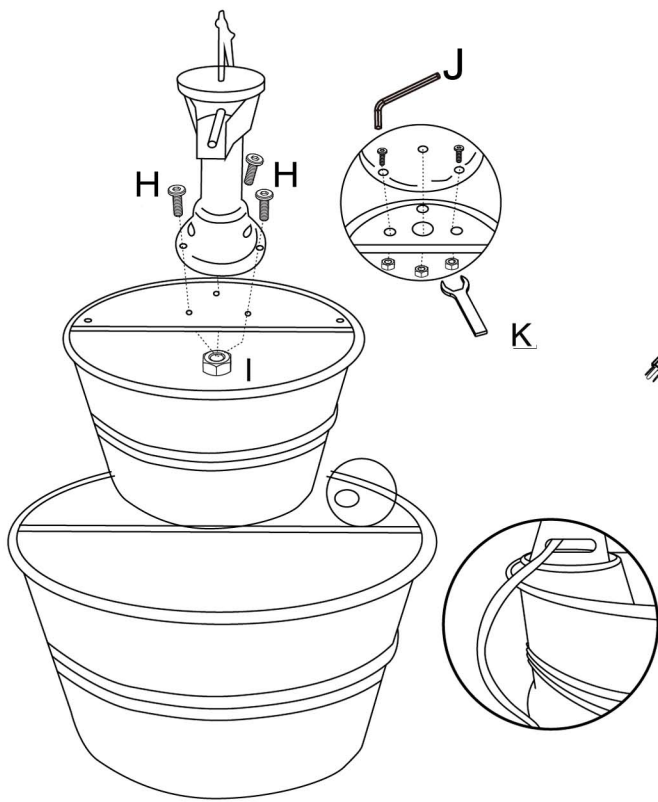
Step 2



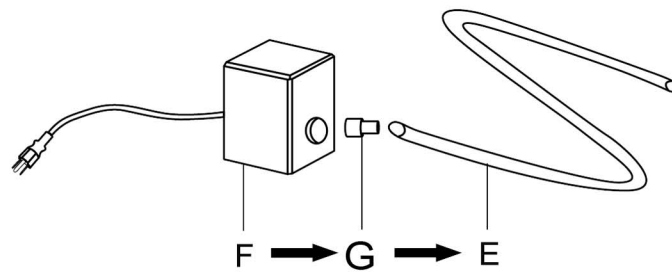
Step 3



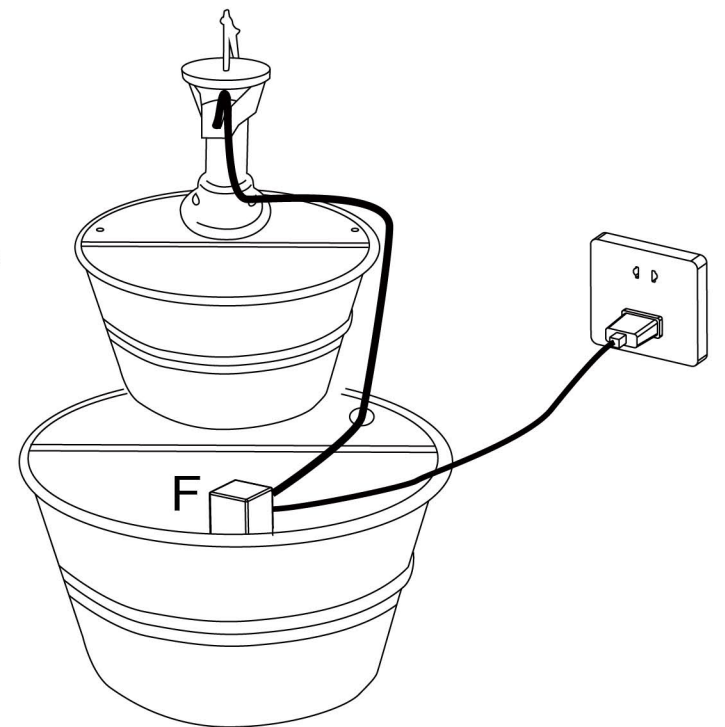
Step 4



Step 5



Step 6



CODE	PARTS	QTY.	CODE	PARTS	QTY.	CODE	PARTS	QTY.
A		1PC	D		1PC	H		3PCS
B		1PC	E		1PC	I		9PCS
C		1PC	F		1PC	J		1PC
			G		1PC	K		1PC

NOTICE:

- If the Part E Tube is too long, to prevent kinks or the tube collapsing, either move the pump further into the fountain or the tube can be cut to the correct length.

IMPORTANT CARE NOTICE:

- Fill the fountain with sufficient water to ensure the pump is well submersed.
- Clean and top-up the water on a regular basis.
- Always switch off the power button before cleaning and maintaining the pump.
- Never allow the fountain pump to run when it's dry, it may cause permanent damage.
- Risk of electric shock - This pump is not designed and has not been investigated for use in swimming pools or marine areas.
- Do not connect to any voltage other than that shown on the pump.

TOUBLESHOOTING:

If the water pump fails to operate, check the below,

1. If the fountain cannot pump water, check if the power is correctly connected or check if there is sufficient water inside the reservoir. In case it is still not functional, check the pump and reservoir for any form of obstructions.

2. If the pump runs with Slow Water Circulation, check the following,

- (a) The flow control (if available) on the body of the pump.
- (b) Ensure the pump is completely submersed.



BACKYARD *expressions*
 PATIO • HOME • GARDEN

Please help us give you the best possible service by emailing your parts & service needs to: ddiparts@ddicorp.com

Emails are responded to daily and are the most accurate way to communicate item/parts needs.

This form is also available online at: <http://ddiretail.com/contact-us/>



Customer Name	
Mailing address	
Phone number	
Email address	
Item name	Double Barrel Steel Water Fountain
Item UPC Code	6-81129-06029-0
Date of purchase	
Name of Store	
Specific Issue	
Part needed – please identify from assembly instructions	

Please keep original purchase receipt for best service

– if you prefer you may also **leave a message** or send a **text** to this number: 1-612-888-7550–
 Your message will be replied to in the order received.

Many parts are available to purchase from our website:

<https://backyard-expressions.com/collections/replacement-parts>