

StarShower®



Window Wonderland™

IMPORTANT SAFETY INSTRUCTIONS, READ AND FOLLOW ALL WARNINGS AND INSTRUCTIONS BEFORE USING THIS PRODUCT. INJURY CAN RESULT FROM IMPROPER USE. SAVE THESE INSTRUCTIONS.

Model: 11674

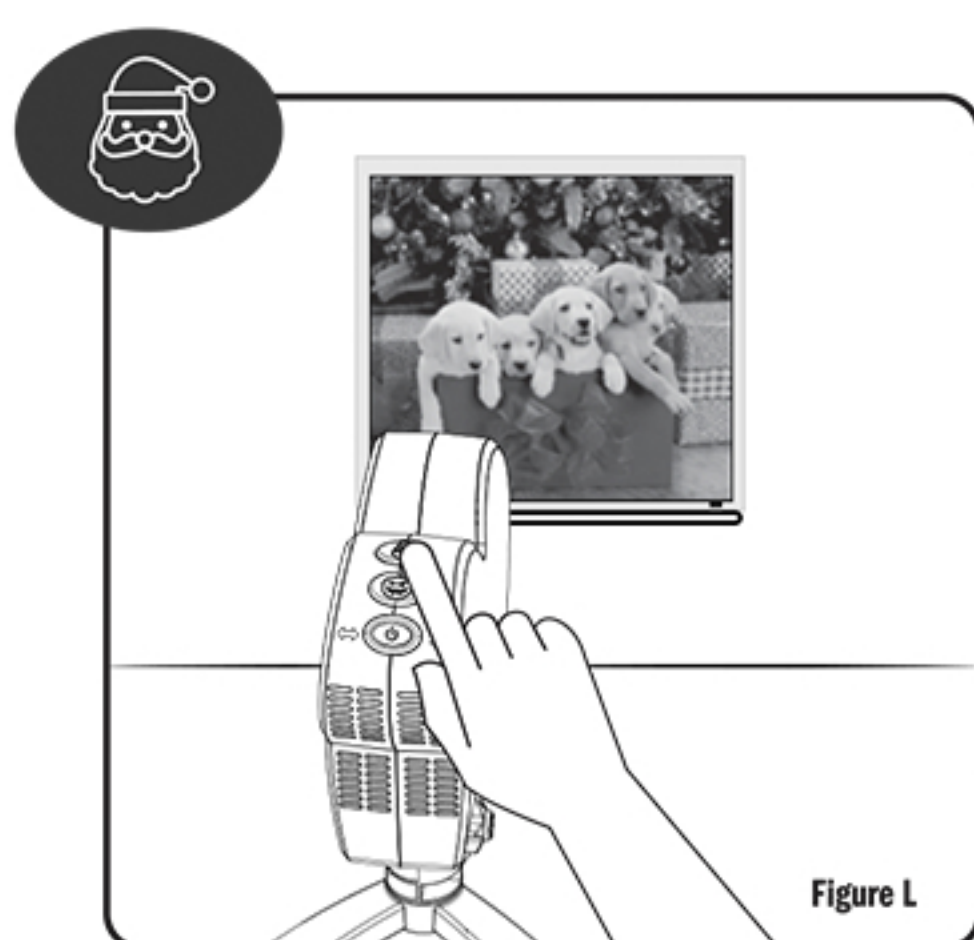
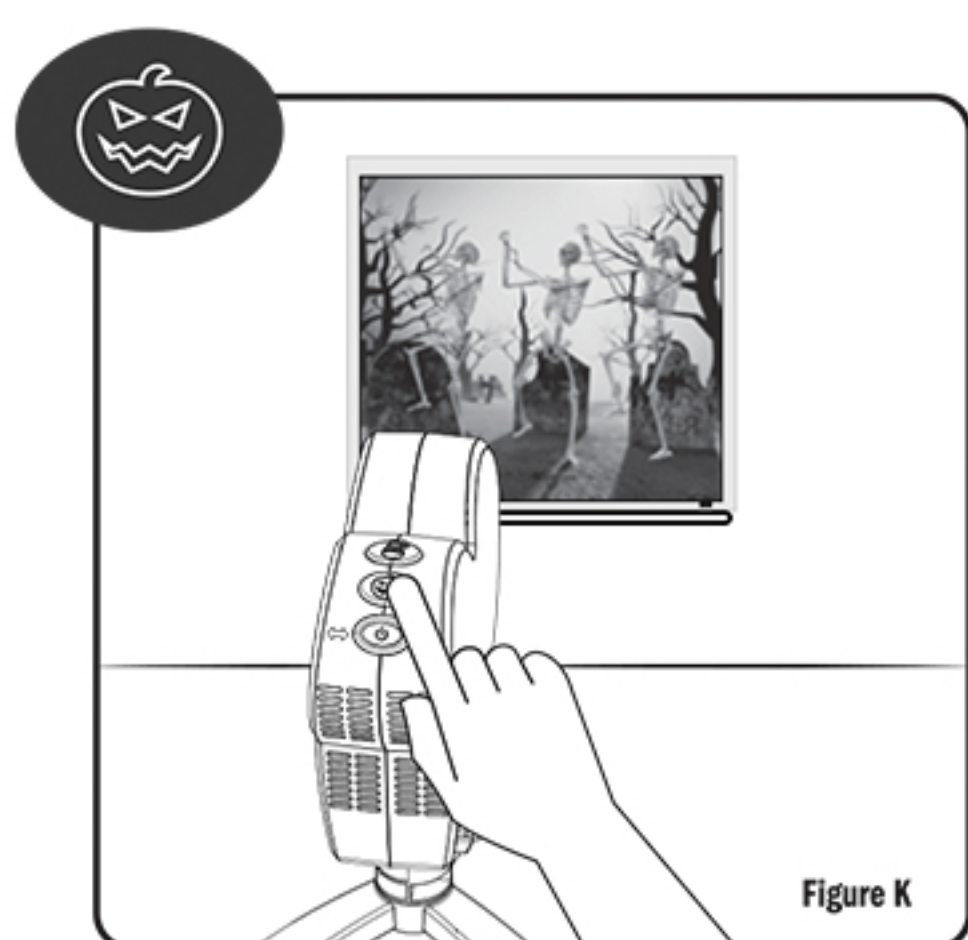
⚠ WARNING

- Window Wonderland™ is for indoor use only. Do not attempt to use outdoors.
- Do not use in an environment that has a high moisture content.
- Do not store or use this product near sources of heat or fire.
- Always operate in a well ventilated area and make sure not to obstruct the vents located on the main housing.
- Only use the provided power adapter, using an adapter from another device might create a fire hazard or damage the Window Wonderland™.
- Unplug the unit when leaving the house, and also when retiring for the night. Never leave unattended.
- This is an electric product-not a toy! To avoid risk of fire, burns, personal injury and electric shock it should not be played with or placed where small children can reach it.
- Do not use this product for other than its intended use.

⚠ CAUTION

- To reduce the risk of electric shock, use only with the power adapter provided with this product.
- Do not use a cracked, frayed, or damaged power adapter cord. Inspect the power adapter cord periodically.
- Do not abuse the power adapter - Do not carry the product by the cord or yank or pull the cord to disconnect the power adapter from the outlet.
- Disconnect the product from the outlet when not in use.

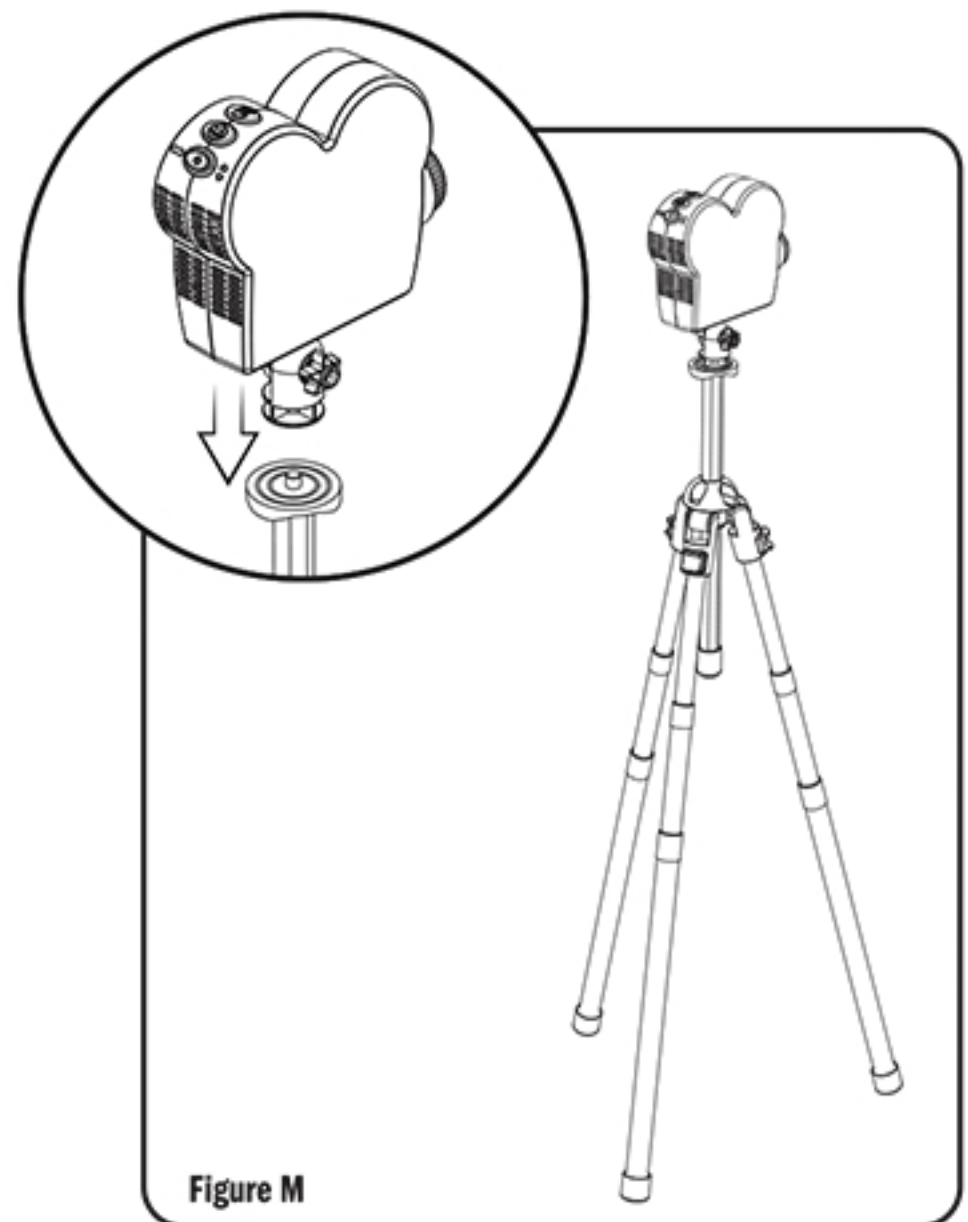
Selecting a Movie:



1. To activate Halloween themed movies, simply press the orange pumpkin icon. This icon will display 1 of 6 Halloween movies. To cycle through the movies, continuously click the pumpkin icon. Once movie has been selected, it will play repeatedly until changed. (Figure K)

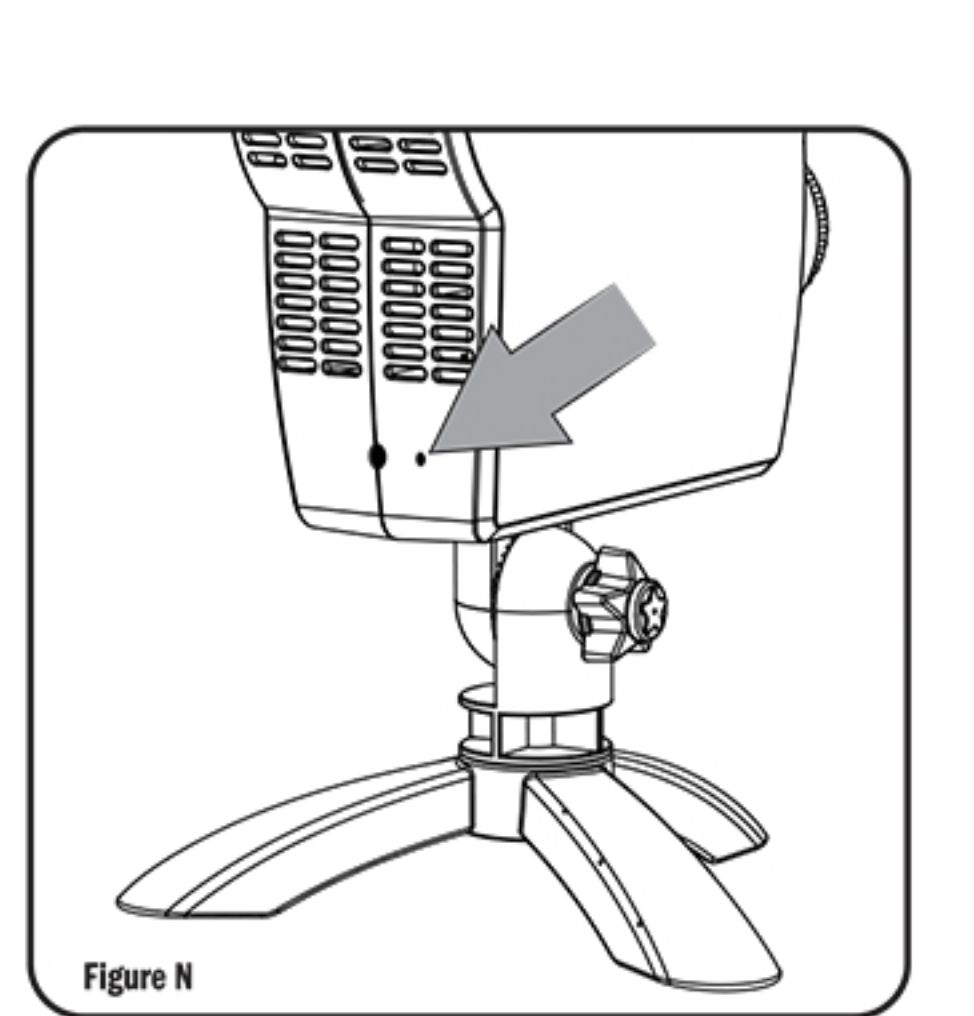
2. To activate Christmas themed movies, simply press the green Santa icon. This icon will display 1 of 6 Christmas movies. To cycle through the movies, continuously click the Santa icon. Once movie has been selected, it will play repeatedly until changed. (Figure L)

Using Your Own Tripod:



1. Your Window Wonderland™ has the ability to be connected to a traditional tripod (not included). Simply unscrew the base that is included and screw the Window Wonderland™ onto the tripod. (Figure M)

Using Your Own Speakers:



1. Connecting speakers to your Window Wonderland™ is easy. Simply plug them into the audio port located on the back of the unit. Window Wonderland™ will play sound effects that go along with the movie that is playing. (Figure N)

Manufactured for
TELEBRANDS

Fairfield, NJ 07004
©2017 Telebrands
www.telebrands.com
855-668-1655
Made in China

LIMITATION OF LIABILITY

Liability limited to the purchase price of this product. Telebrands Corp. shall not be liable for any incidental or consequential damages or any implied warranty on this product, so the above limitation or exclusion may not apply to you.

This device complies with Part 15 of the FCC Rules.

Operation is subject to the following two conditions:

- (1) this device may not cause harmful interference, and
- (2) this device must accept any interference received, including interference that may cause undesired operation.

Warning: Changes or modifications to this unit not expressly approved by the party responsible for compliance could void the user's authority to operate the equipment.

NOTE: This equipment has been tested and found to comply with the limits for a Class B digital device, pursuant to Part 15 of the FCC Rules.

These limits are designed to provide reasonable protection against harmful interference in a residential installation. This equipment generates, uses and can radiate radio frequency energy and, if not installed and used in accordance with the Instructions, may cause harmful interference to radio communications. However, there is no guarantee that interference will not occur in a particular installation. If this equipment does cause harmful interference to radio or television reception, which can be determined by turning the equipment off and on, the user is encouraged to try to correct the interference by one or more of the following measures:

- Reorient or relocate the receiving antenna.
- Increase the separation between the equipment and receiver.
- Connect the equipment into an outlet on a circuit different from that to which the receiver is connected.
- Consult the dealer or an experienced radio/TV technician for help.