



KELLEY ATLANTIC LTD., 314 BENNETT RD., BOWMANVILLE, ONTARIO L1C 3K5
PHONE: 905-623-1010
FAX: 905-623-1586

KELLEY COMPANY, INC., 6720 N. TEUTONIA AVE., P.O. BOX 09993, MILWAUKEE, WISCONSIN 53209-0993
PHONE: 414-352-1000
FAX: 414-352-2093

MECHANICAL DOCKLEVELER

SERIES "SM"

Installation and Owner's Manual

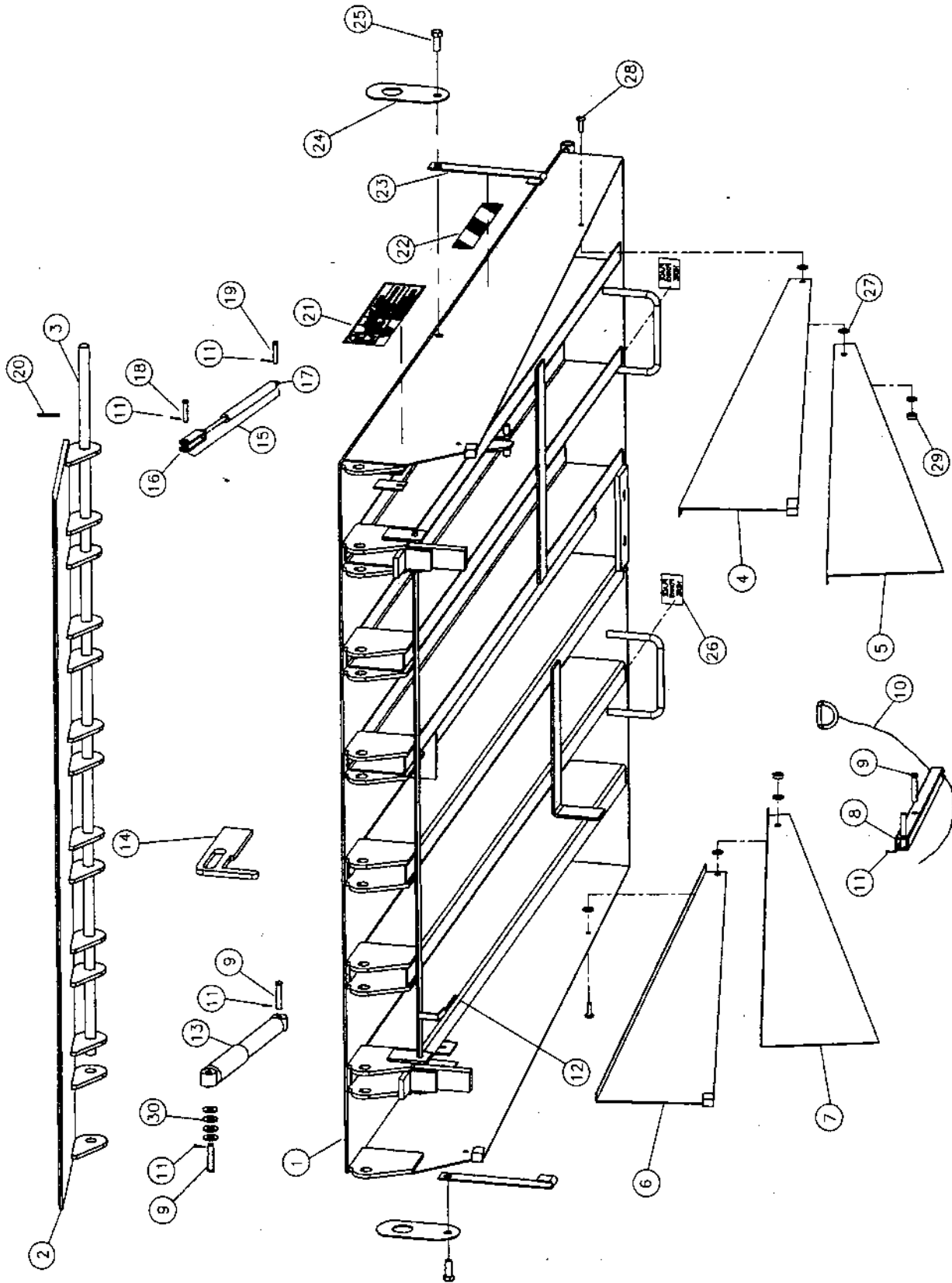
This manual applies to SM series docklevelers manufactured beginning February 2001 with serial numbers 69195 and higher.

32-60007 R2 06/01

WARNING

Do not install, operate or service this product unless you have read and understand the Safety Practices, Installation and Operation sections contained in this manual. Failure to do so may result in property damage, bodily injury or death.

PARTS LIST - DECK, LIP, BELOW DOCK CONTROL ASSEMBLY MODEL 'SM'



PARTS LIST - DECK, LIP, BELOW DOCK CONTROL ASSEMBLY MODEL 'SM'

ITEM	QTY	MODEL	DESCRIPTION	P/N
1	1	RAMP, 30K CAPACITY		
		SM636	6' x 6'	32-11203
		SM6.536	6.5' x 6'	32-11216
		SM736	7' x 6'	32-11212
		SM638	6' x 8'	32-11205
		SM6.538	6.5' x 8'	32-11211
		SM738	7' x 8'	32-11213
		SM630	6' x 10'	32-11207
		SM6.530	6.5' x 10'	32-11209
		SM730	7' x 10'	32-11214
1	1	RAMP, 40K CAPACITY		
		SM646	6' x 6'	32-11223
		SM6.546	6.5' x 6'	32-11236
		SM746	7' x 6'	32-11232
		SM648	6' x 8'	32-11225
		SM6.548	6.5' x 8'	32-11231
		SM748	7' x 8'	32-11233
		SM640	6' x 10'	32-11227
		SM6.540	6.5' x 10'	32-11229
		SM740	7' x 10'	32-11234
1	1	RAMP, 45K CAPACITY		
		SM6456	6' x 6'	32-11243
		SM6.5456	6.5' x 6'	32-11256
		SM7456	7' x 6'	32-11252
		SM6458	6' x 8'	32-11245
		SM6.5458	6.5' x 8'	32-11251
		SM7458	7' x 8'	32-11253
		SM6450	6' x 10'	32-11247
		SM6.5450	6.5' x 10'	32-11249
		SM7450	7' x 10'	32-11254
1	1	RAMP, 50K CAPACITY		
		SM656	6' x 6'	32-11244
		SM6.556	6.5' x 6'	
		SM756	7' x 6'	32-11257
		SM658	6' x 8'	32-11246
		SM6.558	6.5' x 8'	32-11256
		SM758	7' x 8'	32-11258
		SM650	6' x 10'	32-11248
		SM6.550	6.5' x 10'	32-11250
		SM750	7' x 10'	32-11259
2	1	LIP ASSEMBLY, 30K		
		6' WIDE	16" LONG	32-13101
			18" LONG	32-13102
			20" LONG	32-13103
		6.5' WIDE	16" LONG	32-13104
			18" LONG	32-13105
			20" LONG	32-13106
		7' WIDE	16" LONG	32-13107
		(TAPERED)	18" LONG	32-13108
			20" LONG	32-13109
		7' WIDE	16" LONG	32-13113
		(NON -	18" LONG	32-13114
		TAPERED)	20" LONG	32-13115

ITEM	QTY	MODEL	DESCRIPTION	P/N
2	1	LIP ASSEMBLY, 40K		
		6' WIDE	16" LONG	32-13121
			18" LONG	32-13122
			20" LONG	32-13123
		6.5' WIDE	16" LONG	32-13124
			18" LONG	32-13125
			20" LONG	32-13126
		7' WIDE	16" LONG	32-13127
		(TAPERED)	18" LONG	32-13128
			20" LONG	32-13129
		7' WIDE	16" LONG	32-13133
		(NON -	18" LONG	32-13134
		TAPERED)	20" LONG	32-13135
1	1	LIP ASSEMBLY, 45K		
		6' WIDE	16" LONG	32-13141
			18" LONG	32-13142
			20" LONG	32-13143
		6.5' WIDE	16" LONG	32-13144
			18" LONG	32-13145
			20" LONG	32-13146
		7' WIDE	16" LONG	32-13147
		(TAPERED)	18" LONG	32-13148
			20" LONG	32-13149
		7' WIDE	16" LONG	32-13153
		(NON -	18" LONG	32-13154
		TAPERED)	20" LONG	32-13155
1	1	LIP ASSEMBLY, 50K		
		6' WIDE	16" LONG	32-13161
			18" LONG	32-13162
			20" LONG	32-13163
		6.5' WIDE	16" LONG	32-13164
			18" LONG	32-13165
			20" LONG	32-13166
		7' WIDE	16" LONG	32-13173
		(TAPERED)	18" LONG	32-13174
			20" LONG	32-13175
		7' WIDE	16" LONG	32-13167
		(NON -	18" LONG	32-13168
		TAPERED)	20" LONG	32-13169

PARTS LIST - DECK, LIP, BELOW DOCK CONTROL ASSEMBLY MODEL 'SM'

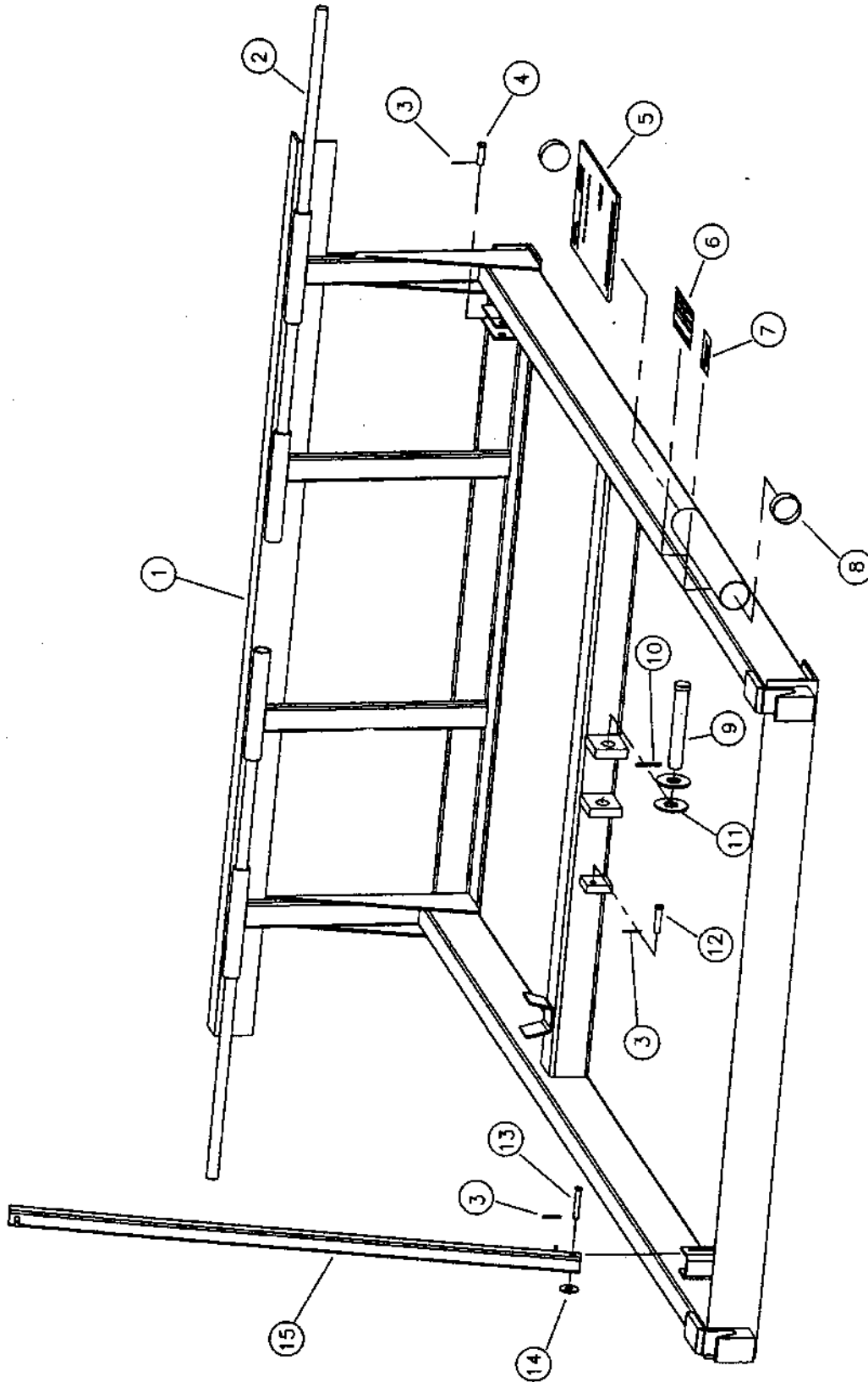
ITEM	QTY	MODEL	DESCRIPTION	P/N	ITEM	QTY	MODEL	DESCRIPTION	P/N		
3	1	LIP HINGE ROD 30 & 40K	6' WIDE	32-23005	8	1	SAFETY LEG RELEASE ASSEMBLY		32-14002		
			6.5' WIDE	32-23028				9	1	1/2" x 2 1/2" CLEVIS PIN	055-037
			7' WIDE	32-23018				10	1	PULL CHAIN, BELOW DOCK CONTROL	32-11098
	1	LIP HINGE ROD - 50K	6' WIDE	32-23612				11	1	1/8" x 1" COTTER PIN	056-002
			6.5' WIDE	32-23613				12	1	SAFETY LEG RETURN SPRING	060-030
			7' WIDE	32-23614				13	1	SHOCK ABSORBER	060-017
4	1	TOE GUARD, LEFT MIDDLE	6' LONG	31-11101	14	1	LIP LOCK ARM, 30 & 40K	32-21090			
			8' LONG	31-11105	1	1	LIP LOCK ARM - 50K	32-21504			
			10' LONG	31-11109	15	see *	GAS SPRING AND CLEVIS ASSEMBLY	32-19841			
					16	see *	GAS SPRING CLEVIS	32-19806			
5	1	TOE GUARD, LEFT BOTTOM	6' LONG	32-21415	17	see *	GAS SPRING	060-018			
			8' LONG	32-21405	18	see *	1/2" x 1 1/2" CLEVIS PIN	055-038			
			10' LONG	32-21425	19	see *	3/8" x 2" CLEVIS PIN	055-012			
					20	1	1/4" x 2" SPRING PIN	055-002			
6	1	TOE GUARD, RIGHT MIDDLE	6' LONG	31-11102	21	2	LABEL, "WARNING..."	069-045			
			8' LONG	31-11106	22	2	LABEL, CAUTION STRIPE	069-043			
			10' LONG	31-11110	23	2	SKIRT SHIPPING PLATE				
							6' LONG DOCKLEVELERS	32-21076			
7	1	TOE GUARD, RIGHT BOTTOM	6' LONG	32-21417			8' LONG DOCKLEVELERS	32-21019			
			8' LONG	32-21407			10' LONG DOCKLEVELERS	32-21075			
			10' LONG	32-21427	24	2	DOCK LIFTING PLATE	32-21108			
					25	2	HEX BOLT, 5/8" NC x 1" LONG	040-268			
				26	2	LABEL, "PLACE FORKS HERE"	069-039				
				27	6	3/8 STD FLATWASHER	044-002				
				28	2	3/8" x 1-1/4" BUTTON HEAD BOLT	040-130				
				29	2	3/8" NYLOCK NUT	042-021				
				30	4	1/2" STD. FLAT WASHER	044-006				

*** - gas springs required**

1 gas spring - 30K (all lips), 40K(16"&18"lips), 50K(16" lips)

2 gas springs-40K(20"lips), 50K(18"&20" lips)

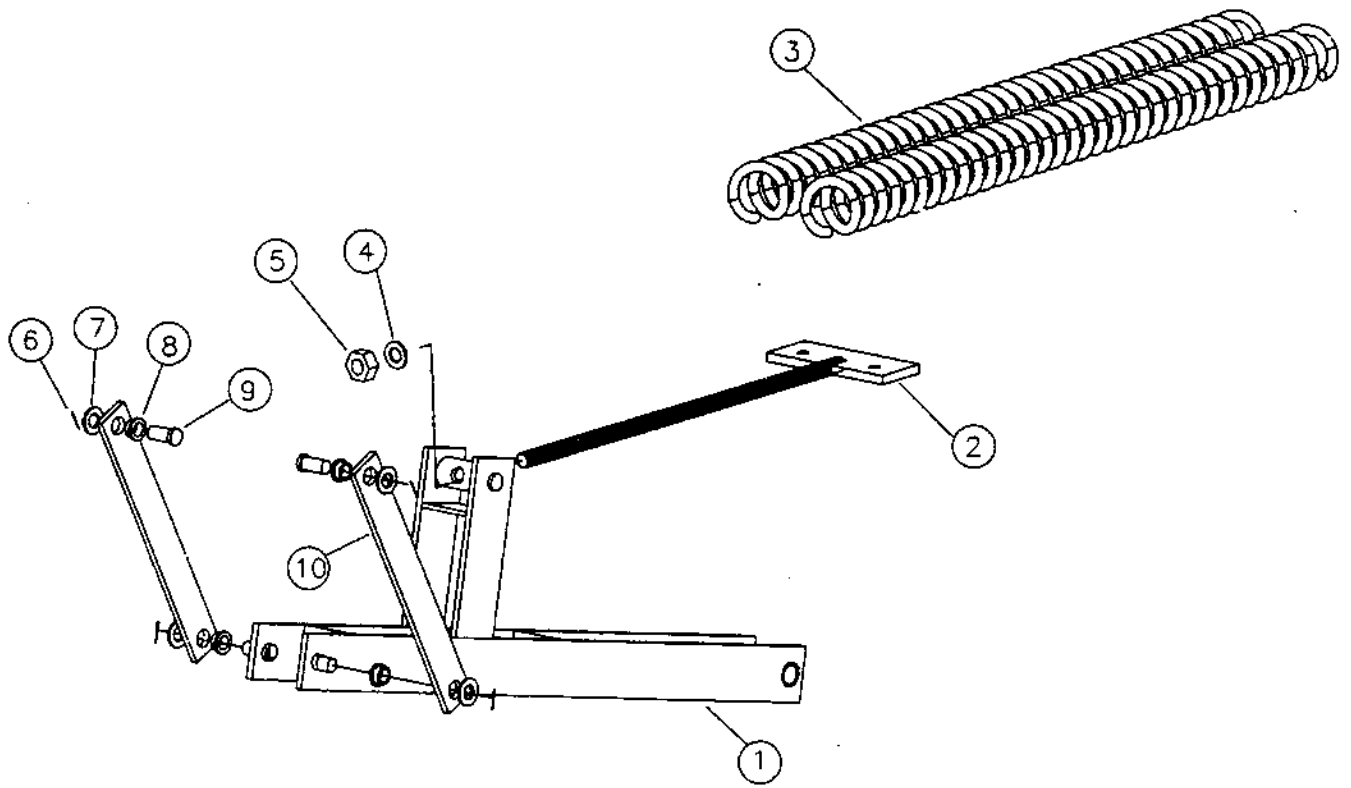
PARTS LIST - FRAME ASSEMBLY MODEL 'SM'



PARTS LIST - FRAME ASSEMBLY MODEL 'SM'

ITEM	QTY	MODEL	DESCRIPTION	P/N	ITEM	QTY	MODEL	DESCRIPTION	P/N
1	1	FRAME ASSEMBLY, 30, 40, 45K 19" DEPTH			1	1	FRAME ASSEMBLY, 30, 40K, 45K 23" DEPTH		
		6' x 6'	16" LIP	32-12207			6' x 6'	16" LIP	32-12263
			18" LIP	32-12208				18" LIP	32-12264
			20" LIP	32-12209				20" LIP	32-12265
		6.5' x 6'	16" LIP	32-12246			6.5' x 6'	16" LIP	32-12281
			18" LIP	32-12247				18" LIP	32-12282
			20" LIP	32-12248				20" LIP	32-12283
		7' x 6'	16" LIP	32-12234			7' x 6'	16" LIP	32-12287
			18" LIP	32-12235				18" LIP	32-12288
			20" LIP	32-12236				20" LIP	32-12289
		6' x 8'	16" LIP	32-12213			6' x 8'	16" LIP	32-12269
			18" LIP	32-12214				18" LIP	32-12270
			20" LIP	32-12215				20" LIP	32-12271
		6.5' x 8'	16" LIP	32-12231			6.5' x 8'	16" LIP	32-12281
			18" LIP	32-12232				18" LIP	32-12282
			20" LIP	32-12233				20" LIP	32-12283
		7' x 8'	16" LIP	32-12237			7' x 8'	16" LIP	32-12290
			18" LIP	32-12238				18" LIP	32-12291
			20" LIP	32-12239				20" LIP	32-12292
		6' x 10'	16" LIP	32-12219			6' x 10'	16" LIP	32-12275
			18" LIP	32-12220				18" LIP	32-12276
			20" LIP	32-12221				20" LIP	32-12277
		7' X 10'	16" LIP	32-12240			7' X 10'	16" LIP	32-12293
			18" LIP	32-12241				18" LIP	32-12294
			20" LIP	32-12242				20" LIP	32-12295
1	1	FRAME ASSEMBLY, 50K, 19" DEPTH			1	1	FRAME ASSEMBLY, 50K, 23" DEPTH		
		6' x 6'	16" LIP	32-12507			6' x 6'	16" LIP	32-12557
			18" LIP	32-12508				18" LIP	32-12558
			20" LIP	32-12509				20" LIP	32-12559
		6.5' x 6'	16" LIP	32-12528			6.5' x 6'	16" LIP	32-12578
			18" LIP	32-12529				18" LIP	32-12579
			20" LIP	32-12530				20" LIP	32-12580
		7' x 6'	16" LIP	32-12537			7' x 6'	16" LIP	32-12587
			18" LIP	32-12538				18" LIP	32-12588
			20" LIP	32-12539				20" LIP	32-12589
		6' x 8'	16" LIP	32-12513			6' x 8'	16" LIP	32-12563
			18" LIP	32-12514				18" LIP	32-12564
			20" LIP	32-12515				20" LIP	32-12565
		6.5' x 8'	16" LIP	32-12531			6.5' x 8'	16" LIP	32-12581
			18" LIP	32-12532				18" LIP	32-12582
			20" LIP	32-12533				20" LIP	32-12583
		7' x 8'	16" LIP	32-12540			7' x 8'	16" LIP	32-12590
			18" LIP	32-12541				18" LIP	32-12591
			20" LIP	32-12542				20" LIP	32-12592
		6' x 10'	16" LIP	32-12519			6' x 10'	16" LIP	32-12569
			18" LIP	32-12520				18" LIP	32-12570
			20" LIP	32-12521				20" LIP	32-12571
		7' X 10'	16" LIP	32-12543			7' X 10'	16" LIP	32-12593
			18" LIP	32-12544				18" LIP	32-12594
			20" LIP	32-12545				20" LIP	32-12595
2		REAR HINGE ROD			10	1	3/16 x 1 1/2" COTTER PIN		
	2	6' WIDE DOCKLEVELER - 30,40K		32-21020	11	2	1" STD FLATWASHER		
	2	6.5' WIDE DOCKLEVELER - 30,40K		32-21072	12	1	7/16" x 2" CLEVIS PIN		
	2	7' WIDE DOCKLEVELER - 30,40K		32-21055	13	1	3/8" x 2 3/8" CLEVIS PIN		
	2	6' WIDE DOCKLEVELER - 50,60,80,100K		32-21601	14	1	3/8" STANDARD FLAT WASHER		
	2	6.5' WIDE DOCKLEVELER - 50,60,80,100K		32-21602	15	1	MAINTENANCE STRUT ASSEMBLY, 30,40,45K		
	2	7' WIDE DOCKLEVELER - 50,60,80,100K		32-21603			6' LONG DOCKLEVELERS	31-12173	
3	3	1/8" x 1" COTTER PIN			056-002		8' LONG DOCKLEVELERS	31-12171	
4	1	1/2" x 1 1/2" CLEVIS PIN			055-038		10' LONG DOCKLEVELERS	31-12176	
5	1	OPERATION & MAINTENANCE MANUAL			32-60001		1 MAINTENANCE STRUT ASSEMBLY, 50K		
6	1	LABEL, SERIAL NUMBER			069-031		6' LONG DOCKLEVELERS		
7	1	LABEL, MANUAL ENCLOSED			069-040		8' LONG DOCKLEVELERS	31-12180	
8	2	MANUAL TUBE ENDCAPS			052-040		10' LONG DOCKLEVELERS	31-12172	
9	1	1" x 6 1/2" CLEVIS PIN			055-035				

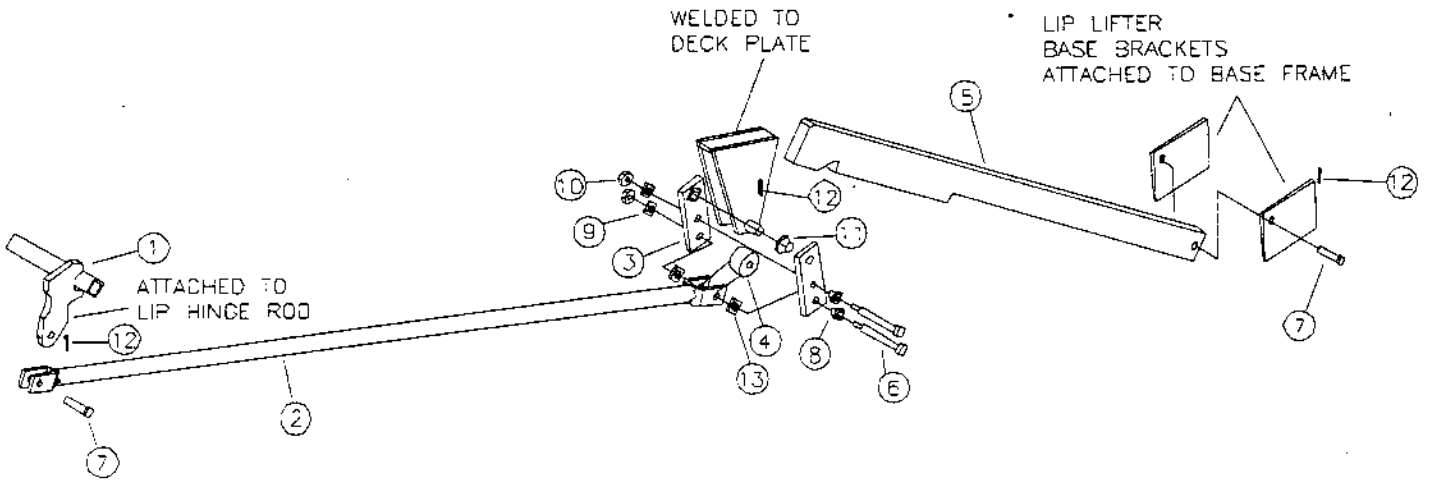
PARTS LIST - LIFT ARM ASSEMBLY MODEL 'SM'



PARTS LIST - LIFT ARM ASSEMBLY MODEL 'SM'

ITEM	QTY	MODEL	DESCRIPTION	P/N	ITEM	QTY	MODEL	DESCRIPTION	P/N
1	1	MAIN LIFT ARM			2	2	SPRING PULL ROD		
			30K DOCKLEVELERS					50K DOCKLEVELERS	
		SM636	6' x 6'	32-19935			SM656	6' x 6'	32-19958
		SM6.536	6.5' x 6'				SM6.556	6.5' x 6'	
		SM736	7' x 6'	32-19938			SM756	7' x 6'	32-19958
		SM6.538	6.5' x 8'	32-19936			SM658	6' x 8'	32-19943
		SM738	7' x 8'	32-19946			SM6.558	6.5' x 8'	
	2	SM630	6' x 10'	32-19945			SM758	7' x 8'	32-19943
		SM6.530	6.5' x 10'				SM650	6' x 10'	32-19943
	2	SM730	7' x 10'	32-19939			SM6.550	6.5' x 10'	
							SM750	7' x 10'	
1	1	40K DOCKLEVELERS			3	1	MAIN LIFT SPRING		
		SM646	6' x 6'	32-19938		2	SM636	6' x 6'	060-045
		SM6.546	6.5' x 6'				SM6.536	6.5' x 6'	
		SM746	7' x 6'	32-19959		2	SM736	7' x 6'	060-045
		SM648	6' x 8'	32-19946		2	SM638	6' x 8'	060-045
		SM6.548	6.5' x 8'	32-19936		2	SM6.538	6.5' x 8'	060-045
		SM748	7' x 8'	32-19931		1			060-050
	2	SM640	6' x 10'	32-19939		2	SM738	7' x 8'	060-045
		SM6.540	6.5' x 10'			1			060-050
	2	SM740	7' x 10'	32-19939		4	SM630	6' x 10'	060-045
							SM6.530	6.5' x 10'	
1	1	45K DOCKLEVELERS				4	SM730	7' x 10'	060-045
		SM6456	6' x 6'	32-19938					
		SM6.5456	6.5' x 6'				40K DOCKLEVELERS		
		SM7456	7' x 6'			2	SM646	6' x 6'	060-045
		SM6458	6' x 8'	32-19946			SM6.546	6.5' x 6'	
		SM6.5458	6.5' x 8'				SM746	7' x 6'	060-045
		SM7458	7' x 8'			2	SM648	6' x 8'	060-045
		SM6450	6' x 10'			1			060-050
		SM6.5450	6.5' x 10'			2	SM6.548	6.5' x 8'	060-045
		SM7450	7' x 10'			1			060-050
2	2	50K DOCKLEVELERS				3	SM748	7' x 8'	060-045
		SM656	6' x 6'	32-19957		4	SM640	6' x 10'	060-045
		SM6.556	6.5' x 6'				SM6.540	6.5' x 10'	
		SM756	7' x 6'	32-19957		4	SM740	7' x 10'	060-045
		SM658	6' x 8'	32-19952		2			060-050
		SM6.558	6.5' x 8'				45K DOCKLEVELERS		
		SM758	7' x 8'	32-19953		2	SM6456	6' x 6'	060-045
		SM650	6' x 10'	32-19952			SM6.5456	6.5' x 6'	
		SM6.550	6.5' x 10'				SM7456	7' x 6'	
		SM750	7' x 10'			4	SM6458	6' x 8'	060-045
2	2	SPRING PULL ROD				2			060-050
			30K DOCKLEVELERS				SM6.5458	6.5' x 8'	
	1	SM636	6' x 6'	32-19942			SM7458	7' x 8'	
		SM6.536	6.5' x 6'				SM6450	6' x 10'	
	1	SM736	7' x 6'	32-19942			SM6.5450	6.5' x 10'	
	1	SM638	6' x 8'	32-19940			SM7450	7' x 10'	
	1	SM6.538	6.5' x 8'	32-19941			50K DOCKLEVELERS		
	1	SM738	7' x 8'	32-19941		2	SM656,756	6' x 6', 7' x 6'	060-045
	2	SM630	6' x 10'	32-19940		2			060-050
		SM6.530	6.5' x 10'				SM6.556	6.5' x 6'	
	2	SM730	7' x 10'	32-19940		4	SM658	6' x 8'	060-045
							SM6.558	6.5' x 8'	
		40K DOCKLEVELERS				4	SM758	7' x 8'	060-045
	1	SM646	6' x 6'	32-19942		4	SM650	6' x 10'	060-045
		SM6.546	6.5' x 6'				SM6.550	6.5' x 10'	
		SM746	7' x 6'				SM750	7' x 10'	
	1	SM648	6' x 8'	32-19941		4	1	7/8" STANDARD FLAT WASHER	044-019
	1	SM6.548	6.5' x 8'	32-19941		5	1	7/8" NC NUT	042-044
	1	SM748	7' x 8'	32-19941		6	4	1/8" x 1" COTTER PIN	056-002
	2	SM640	6' x 10'	32-19940		7	4	3/4" STANDARD FLAT WASHER	044-016
		SM6.540	6.5' x 10'			8	4	1" x 3/4" x 1/2" FLANGE BUSHING	036-032
	2	SM740	7' x 10'	32-19941		9	4	3/4" x 1 1/4" CLEVIS PIN	055-045
						10	2	SECONDARY LIFT ARM	32-29919

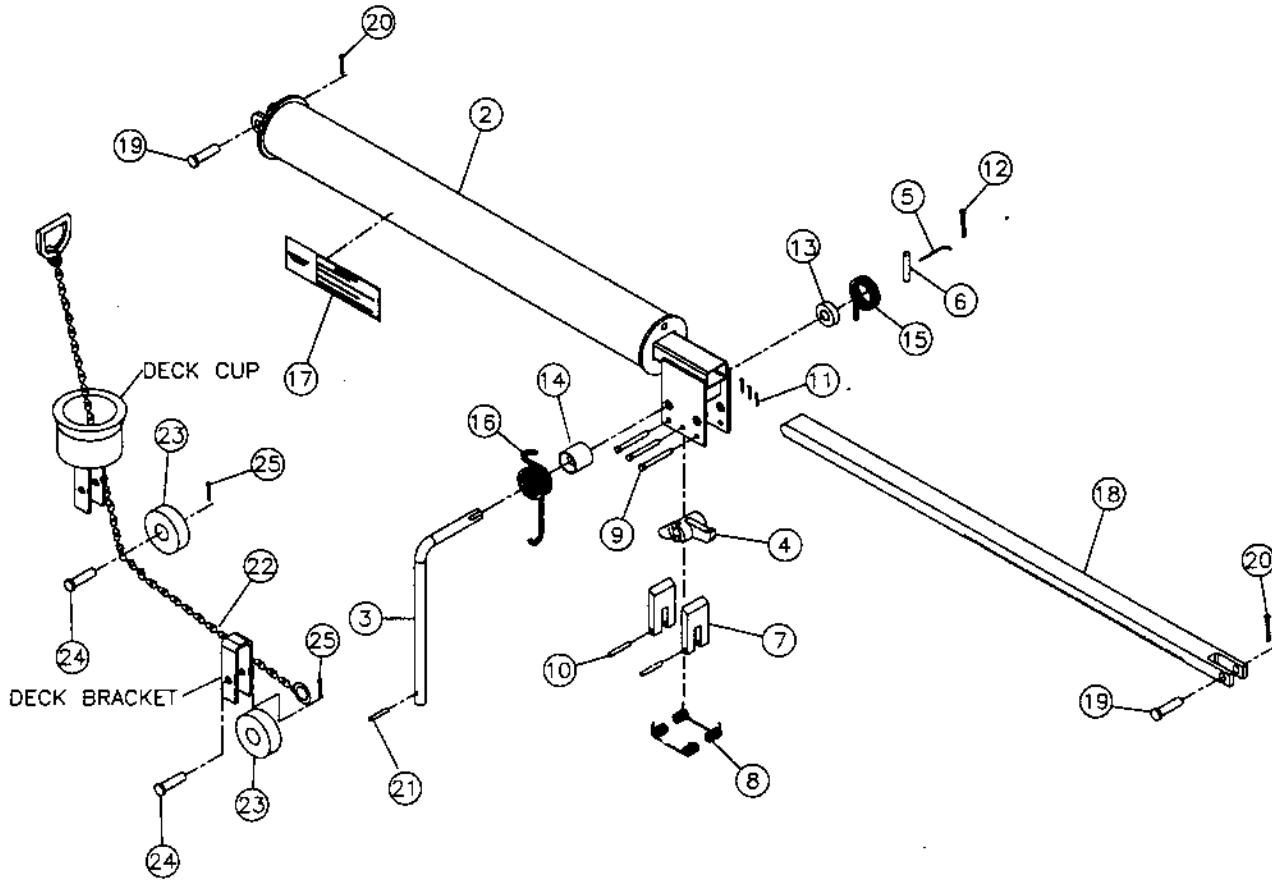
PARTS LIST - WALK-DOWN ASSEMBLY MODEL 'SM'



ITEM	QTY	DESCRIPTION	P/N
1	1	LIP LIFTER PLATE ASSEMBLY	
		30 & 40K - 6'	32-19819
		30 & 40K - 8'	32-19828
		30 & 40K - 10'	32-19833
		50K - 6', 8', 10'	32-19829
2	1	CONNECTING ROD ASSEMBLY	
		6' LONG DOCKLEVELERS	32-19809
		8' LONG DOCKLEVELERS	32-19805
3	2	LIP LIFTER LINK, 6' D/L	32-29841
		LIP LIFTER LINK, 8' & 10' D/L	32-29807
4	1	ROLLER	32-29814
5	1	LIP LIFTER PUSHBAR	
		6' LONG DOCKLEVELERS	32-29857
		8', 10' LONG DOCKLEVELERS	32-29858

ITEM	QTY	DESCRIPTION	P/N
6	2	1/2" x 2 3/4" SHOULDER BOLT	040-211
7	2	1/2" x 1 1/2" CLEVIS PIN	055-038
8	4	FLANGE BEARING (0.502" ID)	036-025
9	2	3/8" STANDARD FLAT WASHER	044-002
10	2	3/8" - 16 NC NUT	042-020
11	2	FLANGE BEARING (0.625" ID)	036-026
12	4	1/8" x 1 1/2" COTTER PIN	056-011
13	2	1/2" STANDARD FLAT WASHER	044-006

PARTS LIST - HOLDOWN AND RATCHET BAR ASSEMBLIES



ITEM	QTY	DESCRIPTION	P/N
0	1	Complete Holdown Assembly c/w ratchet bar	31-10104
1	1	Holdown Assembly c/w items 2-17	31-10103
2	1	Holdown Sub-Assembly	31-10106
3	1	Release Handle	31-20115
4	1	Pawl Lifter	31-20111
5	1	Pin, Keeper	055-041
6	1	Pin, Shoulder	055-042
7	2	Pawl	31-20118
8	2	Spring, Pawl	060-023
9	3	Pin, Clevis	055-040
10	2	Pin, Needle Roller	056-033
11	3	Pin, Cotter	056-009
12	1	Pin, Cotter	056-002

ITEM	QTY	DESCRIPTION	P/N
13	1	Sleeve, Pawl Lifter Spring	31-20114
14	1	Sleeve, Handle Release Spring	31-20113
15	1	Spring, Pawl Lifter	060-022
16	1	Spring, Handle Return	060-031
17	1	Decal	069-042
18	1	Ratchet Bar	31-20117
19	2	Pin, Clevis	055-014
20	2	Pin, Cotter	056-002
21	1	Pin, Spring	055-026
22	1	Chain, Release 5' lg.	31-10009
	1	Chain, Release 6' lg.	31-10005
	1	Chain, Release 8' lg.	31-10006
23	2	Pulley	31-20119
24	2	Pin, Clevis	055-011
25	2	Pin, Cotter	056-002