



TS 73V

TS 73V BC DC

# Easy to fix, and even easier to adjust

## Outstanding versatility. Quality assured.

Tested to EN 1154.

The classic dormakaba TS 73 range has matured into the world's most specified hydraulic door closer for all types of interior doors. Its pedigree has been proven by the countless imitations that have appeared over the years.

With the introduction of the TS 73 V, now more than ever, this technically superior closer has more features and has become simpler to specify and install.

The spring strength of the closer can now be easily and steplessly adjusted by means of an allen key, ensuring optimum performance in every situation.

Certified to ISO 9001.

## Plus points...

### ...for the trade

- The TS73 V covers the application and spring strength requirements of most standard interior doors (parallel arm bracket included with closer).
- Non-standard door and frame details are no problem with our wide range of fixing brackets and accessories.
- Stockholding requirements are reduced to a minimum without affecting service levels.

### ...for the installer

- Quick and easy to fix – completely straightforward.
- Closing speed, latching speed and spring strength all simply adjusted with common handtools.
- Each boxed unit comes complete with fixings for timber and a parallel arm conversion bracket.

### ...for the specifier/architect

- Compact dimensions in a classic shape.
- Versatile in application, with a wide range of finishes.
- Designed to cope with most door and frame details, and backed by a wide range of accessories.

### ...for the user

- Peace of mind – a closer that works well and goes on working year after year.
- High mechanical efficiency, low sensitivity to temperature change, wide opening angle, pressure relief valve to protect hydraulics from abuse.
- Optimum wall and door protection thanks to "thinking" backcheck.

Data and features		TS73 V	TS73 V BC DC
Closing force adjustable	Size	EN 2-4	EN 1-4
Standard doors <sup>1)</sup>	≤ 1100 mm	●	●
External doors, opening outwards <sup>1)</sup>		-	-
Fire and smoke check doors <sup>1)</sup> ≤ 1100 mm		●	●
Non-handed		●	●
Arm	Standard	●	●
Closing force adjustable by means of setting screw		●	●
Closing speed adjustable at 2 separate valves	180° – 15° 15° – 0°	● ●	● ●
Backcheck	self-regulating adjustable at valve	● ●	● ●
Adjustable latching action	by arm	●	●
Delayed action		-	●
Hold-open		○	○
Weight in kg		1.3	1.3
Dimensions in mm	Length Depth Height	225 40 60	245 46 60
Door closer tested to EN 1154		●	●
CE mark for construction products		●	●

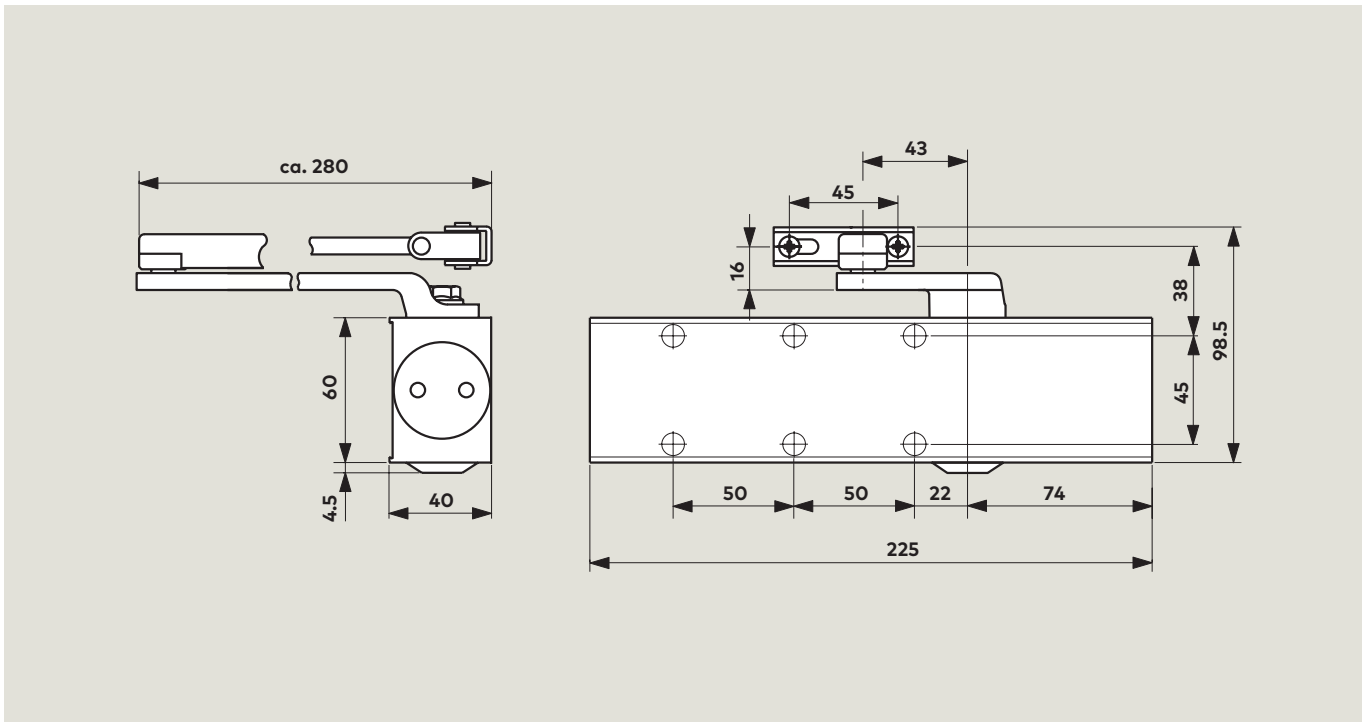
2 Yes – No " Option

<sup>1)</sup> For high and heavy doors, external doors, and for doors required to close against high wind pressure, we recommend dormakaba TS 83.

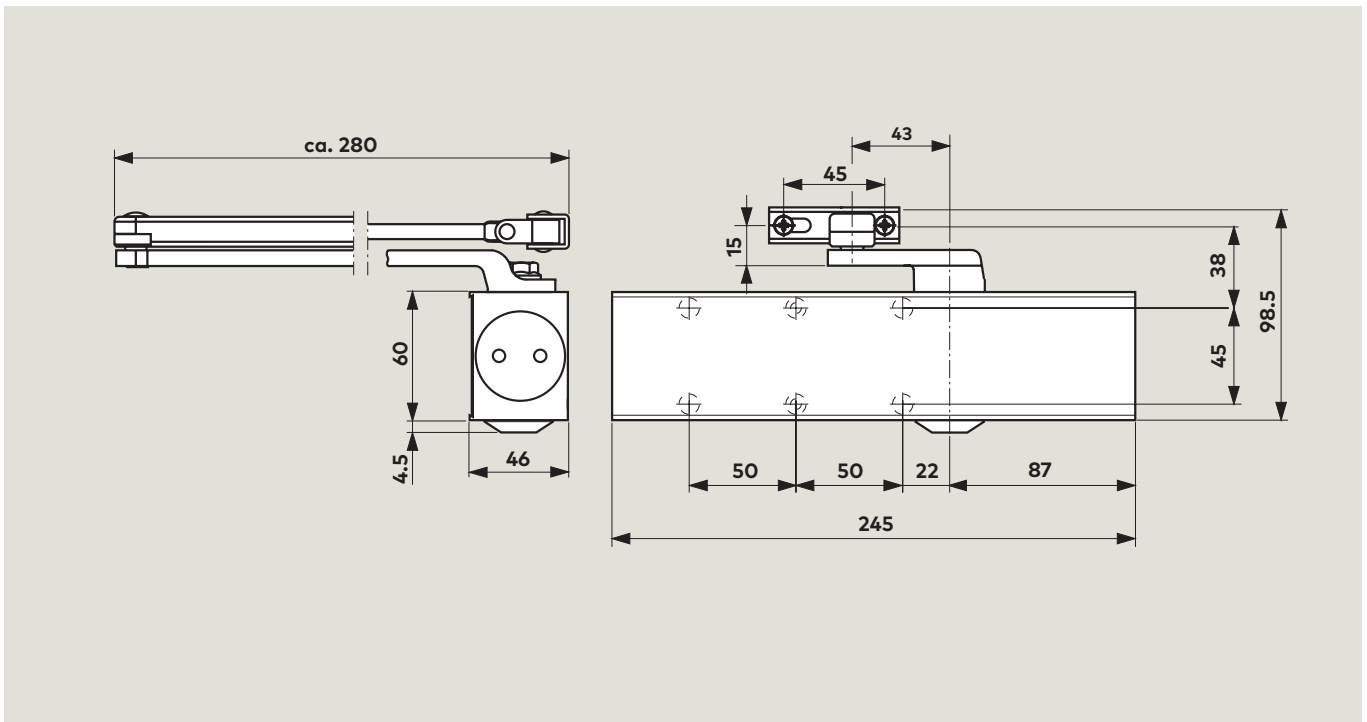


The TS 73 V complies with the requirements and/or recommendations of the following: CERTIFIRE approved for fire doors ITT 120; MM/IMM 240; Ref. CF 117

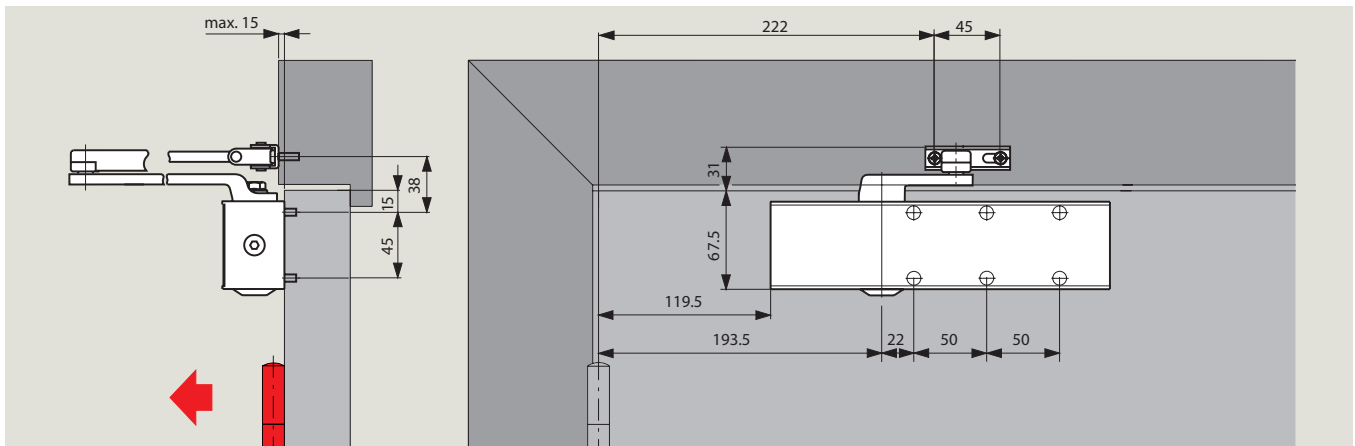
TS73 V EN2-4



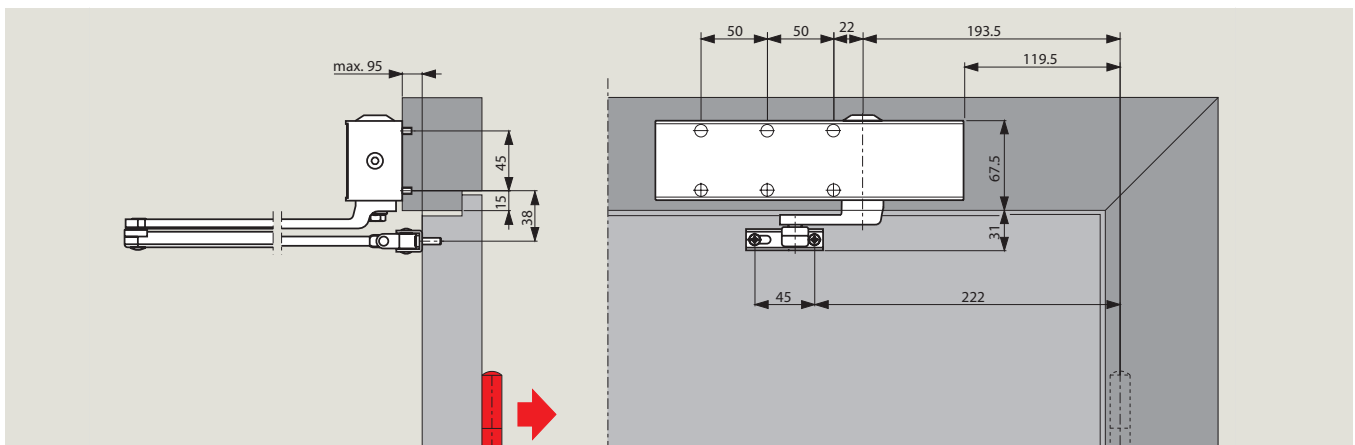
TS73 V BC EN1-4



### Door leaf fixing, pull side (example shows LH (ISO 6) door; RH (ISO 5) doors mirrored arrangement)



### Transom fixing, push side (example shows LH (ISO 6) door; RH (ISO 5) doors mirrored arrangement)

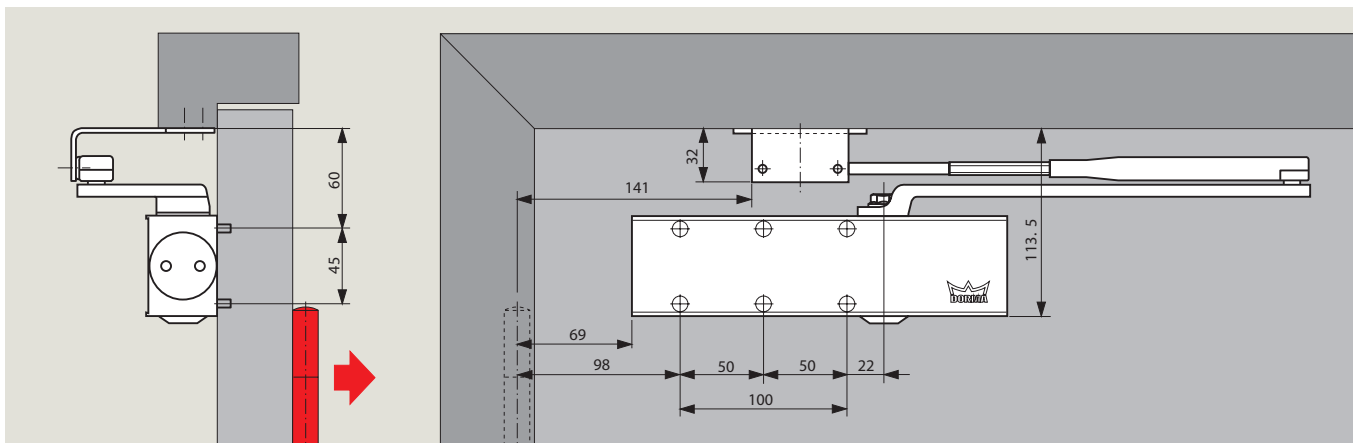


With transom-fixed closers, the backcheck comes in later at between 85° and 90°,

depending on the door thickness and projection of the hinge used.

### Door leaf fixing, push side (parallel arm installation)

Example shows RH (ISO 5) door; LH (ISO 6) doors mirrored arrangement

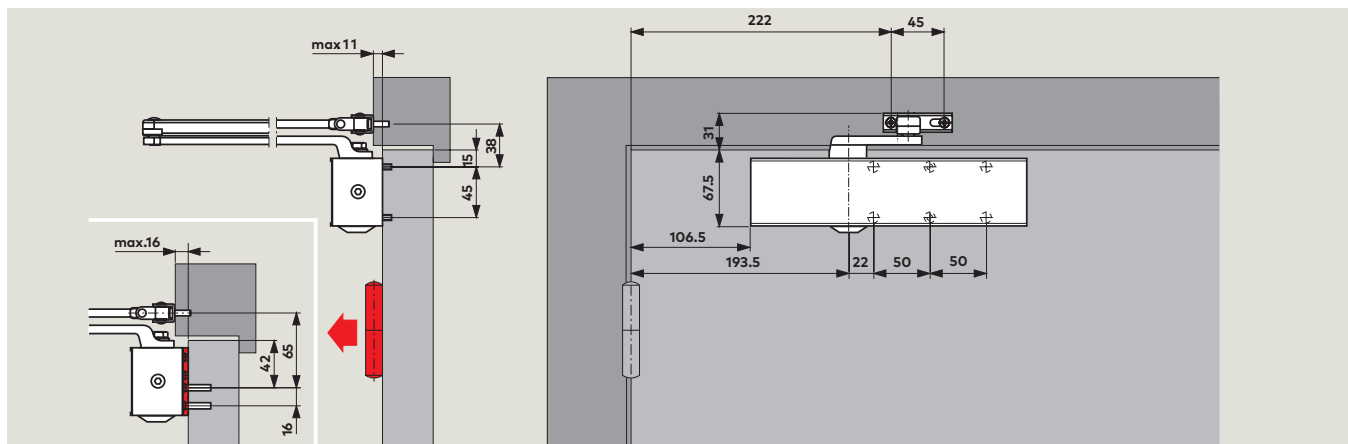


With transom-fixed closers, the backcheck comes in later at between 85° and 90°, depending on the door thickness and projection of the hinge used.

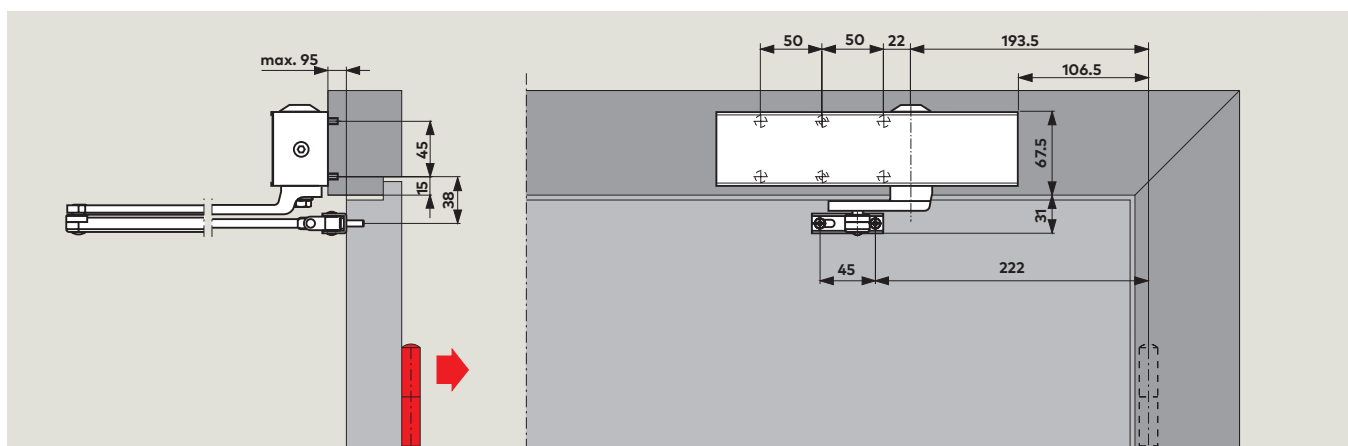
#### Technical details

installation	interior door widths up to	closer size
standard/frame	1100 mm	2 - 4
parallel arm	950 mm	2 - 3

### Door leaf fixing, pull side (example shows LH (ISO 6) door; RH (ISO 5) doors mirrored arrangement)



### Transom fixing, push side (example shows LH (ISO 6) door; RH (ISO 5) doors mirrored arrangement)



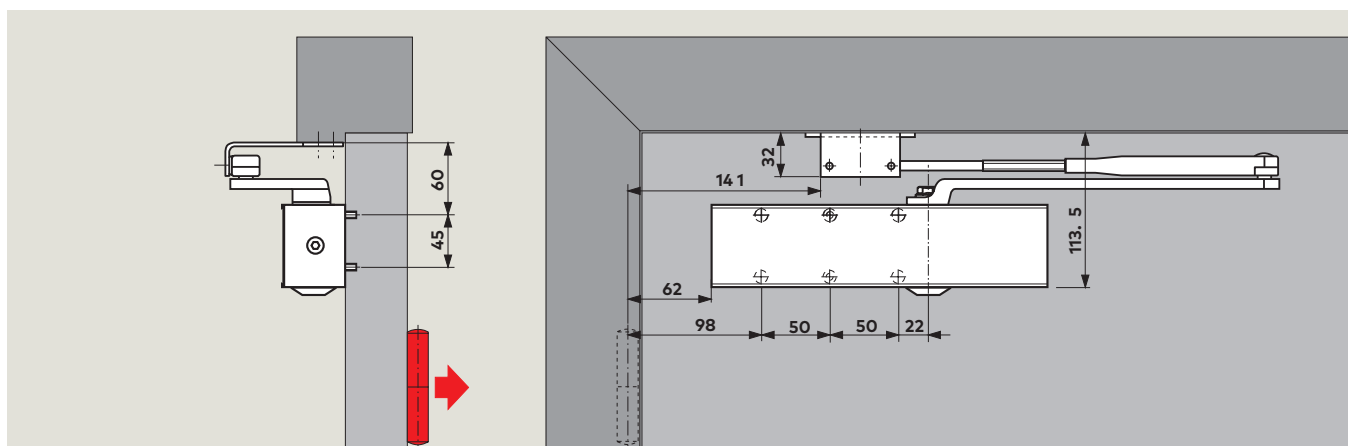
With transom-fixed closers, the backcheck comes in later at between 85° and 90°,

depending on the door thickness and projection of the hinge used; the delayed action,

on the other hand, releases the door at an earlier point in its closing sweep.

### Door leaf fixing, push side (parallel arm installation)

Example shows RH (ISO 5) door; LH (ISO 6) doors mirrored arrangement

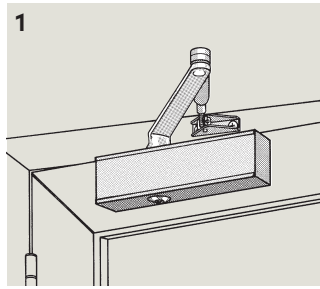


With parallel arm application, the backcheck comes in later at between 85° and 90°, depending on the door thickness and projection of

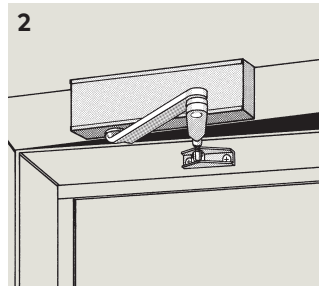
the hinge used; the delayed action, on the other hand, releases the door at an earlier point in its closing sweep.

#### Technical details

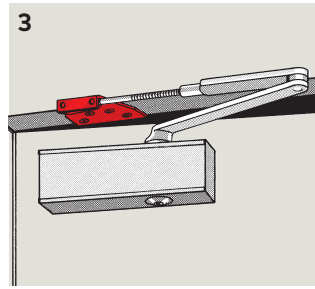
installation	interior door widths up to	closer size
standard/frame	1100 mm	1 – 4
parallel arm	950 mm	1 – 3



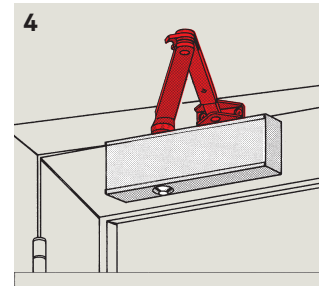
**Standard installation**



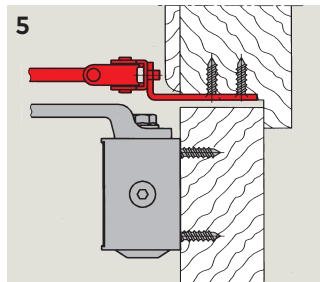
**Frame installation**



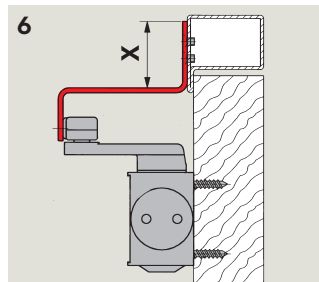
**Parallel arm installation**  
(The above bracket is now supplied with every TS 73 standard closer.)



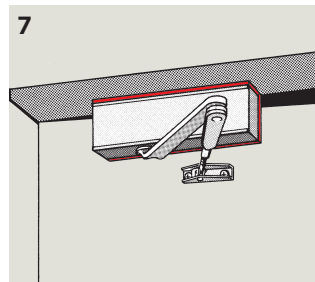
**Hold-open arm installation**  
Adjustable for hold-open up to 150°.



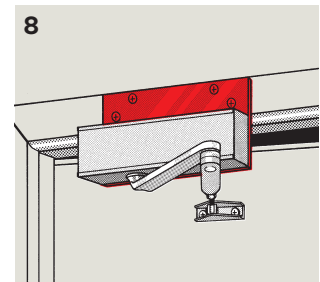
**Soffit bracket and arm for standard installation with shaped architrave**



**Parallel arm bracket with upstand**  
(X = upstand 35 or 60 mm)



**Angle bracket installation**  
Frame installation for outward opening doors with extra deep opening reveals.



**Drop plate installation**  
For installation on frame (or door) when direct fixing of closer is not possible.

## Specification text

### dormakaba TS 73 V

rack and pinion door closer; with adjustable power size EN 2 – 4, according to EN 1154, carries the CE mark, integral self-regulating backcheck; closing speed adjustable in two independent ranges and adjustable latch action. Non-handed.

### dormakaba TS 73 V BC DC

rack and pinion door closer; with adjustable power size EN 1 – 4, according to EN 1154, carries the CE mark, Certifire approved, integral self-regulating backcheck; adjustable delayed action, closing speed adjustable in two independent ranges and adjustable latch action. Non-handed.

### Accessories

#### Colour

- Silver
- Gold
- Special \_\_\_\_\_  
(sim. RAL \_\_\_\_\_)
- Satin Stainless Steel
- Polished Chrome
- Polished Brass

### Make dormakaba TS 73 V

TS 73 V  
TS 73 V BC DC

## Features and optional functions

### With "thinking" backcheck (BC)

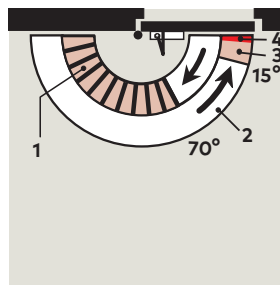
Thanks to an innovative design concept, the resistance developed by this backcheck system as the door is opened beyond approx. 70° is directly proportional to door acceleration.

It is almost imperceptible when the door is opened slowly.

However, if the door is opened hastily, the backcheck responds in equal measure.

And if the door should be flung open at speed – whether deliberately, thoughtlessly, accidentally or as a result of a gust of wind – the backcheck reacts at full strength, protecting the wall and door from damage.

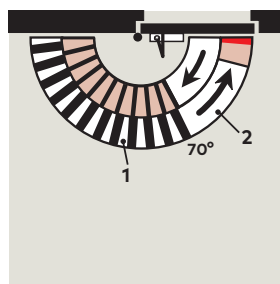
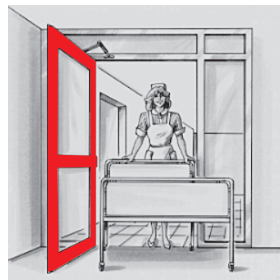
**If no backcheck function is required, the system can simply be switched off.**



- 1 Self-regulating backcheck
- 2 Infinitely variable closing speed in the range 180° – 15°
- 3 Infinitely variable closing speed in the range 15° – 0°
- 4 Adjustable latch range (by arm)

### With additional delayed action – Model BC + DC

This model with its additional, integrated delayed action enables the closing cycle to be retarded within an adjustable range from 180° – 70° so that disabled persons, mothers with prams and people carrying bulky items are able to pass through the door without difficulty.

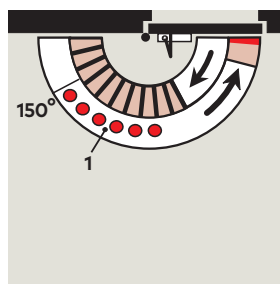


- 1 Adjustable delayed action
- 2 Fully controlled closing with adjustable speed

### With hold-open arm

Combining the TS 73 V with a hold-open arm enables the door to be held open at an appropriate angle (up to approx. 150°)

Hold-open arm with switch: The hold-open function can be switched on and off by the user by simply pressing a switch.



- 1 Hold-open range

**Hold-open arms are not permitted on fire doors**



www.dormakaba.co.uk

WN 053 210 51532, GB, 02/18  
Subject to change without notice

**dormakaba UK & Ireland**

E: [info.gb@dormakaba.com](mailto:info.gb@dormakaba.com)

Wilbury Way, Hitchin  
Hertfordshire  
SG4 0AB  
T: +44(0)1462 477600  
F: +44(0)1462 477601

Lower Moor Way  
Tiverton, Devon  
EX16 6SS  
T: +44(0)870 000 5625  
F: +44(0)870 000 5397