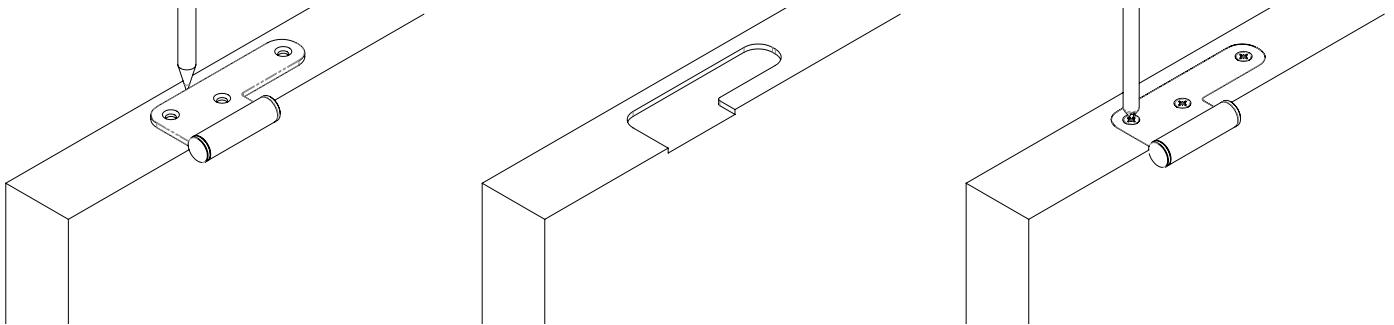


Mortice Preparation for Journal Support Lift-off Hinge

It is essential that the door frame is vertically/horizontally plumb, especially the hinge side as the pivot point of all hinges requires to be the same for correct operation.

Misalignment can cause the integrity of the hinge and/or other hardware components to become compromised, leading to the breakdown of the doorset operation.



Always refer to manufactures installation instructions for any special requirements. If intumescent pads are being fitted behind the hinge leaf, ensure to increase the mortice depth accordingly. The leaf with the pin must be fitted to the frame, with the pin pointing upwards.

At the determined spacing, position the non pin hinge leaf to the door so that the knuckle crank line is slightly proud of the edge of door and mark around leaf. Repeat at each hinge position. Mortice out door to equal the thickness of the hinge leaf. The mortice should be smooth and any shavings or swarf must be removed. Position leaf into mortice, mark the fixing holes, pilot drill to suit the fixing screws. Secure the hinge leaf to the door using screws provided and repeat for other hinges on door. Offer the door upto the door frame. Pack under the door leaf to required clearance.

Once in required position, put the frame leaf with pin into top hinge on door, open the hinge leaf flat against the frame so that the knuckle crank line is slightly proud of the edge the frame and mark round the hinge leaf. Repeat at each hinge position.

Mortice out frame to equal the thickness of the hinge leaf as was done on door. Position leaf into mortice, pilot drill the fixing holes and secure with screws provided and repeat for remaining hinges.

Selecting Hinge Spacing

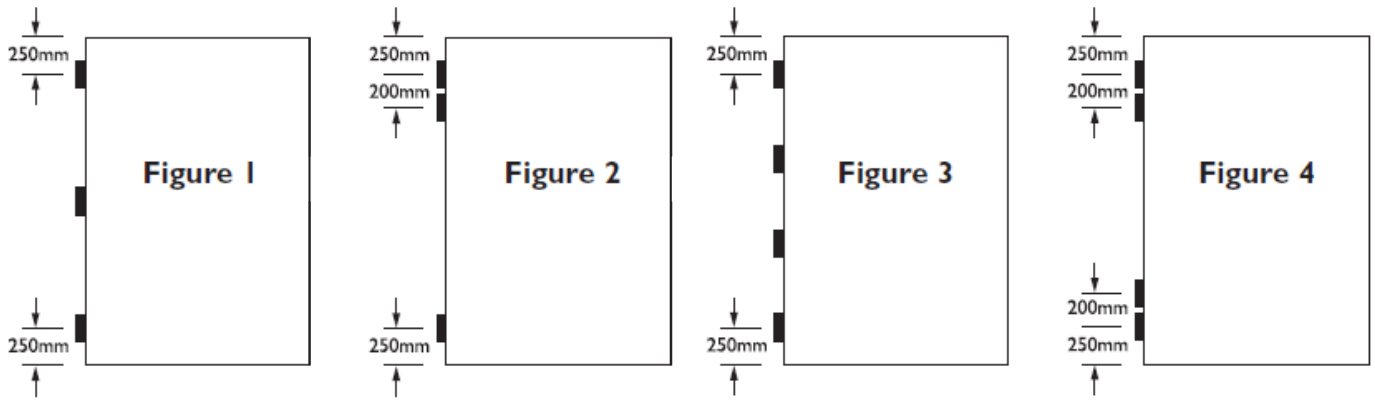


Figure 1 – The standard practice and most common, providing maximum resistance to “warping”, hinges are spaced as shown.

Figure 2 – Where overhead door closers are used, additional lateral forces are applied to the top hinge. Whilst this is taken into consideration within the design calculation, to reduce the lateral force on the top hinge, it is recommended that the hinges are spaced as shown.

Figure 3 – Where the door width is more than 1000mm or the door mass exceeds that allowed for 3 hinges, additional hinges can be fitted. Equal spacing shown provides maximum resistance to “warping”. Based on 4 hinges, the design door mass can be calculated as per “Side Load Calculation” table before determining the suitable grade of hinge.

Figure 4 – where overhead closers are used within the example illustrated in Figure 3, due to the increased lateral forces created by the closer on the top hinge, it is recommended that the hinges are spaced as shown.

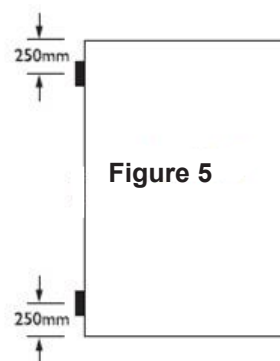


Figure 5 - The standard practice for fitting rising butt hinges. Assistance should be sought from manufacturer in circumstances where a 3rd hinge is required as a co-axial point must be maintained.