



EUROSPEC

STEELWORX® SWL DESIGNER LEVERS ON ROSE



Fire door
keep shut

Fire door
keep shut

Fire door
keep shut

Fire door
keep shut

Fire door
keep shut

Fire door
keep shut

E+S
MP 5

E+S
MP 5

E+S
MP 5

E+S
MP 5

E+S
MP 5

E+S
MP 5

BLU-SON
RE-LOCK
1312-111
E+S

BLU-SON
RE-LOCK
1312-111
E+S

BLU-SON
RE-LOCK
1312-111
E+S

BLU-SON
RE-LOCK
1312-111
E+S

BLU-SON
RE-LOCK
1312-111
E+S

BLU-SON
RE-LOCK
1312-111
E+S

PUSH

PUSH

PUSH

PUSH

PUSH

PUSH

b

b

b

b

b

b

Introduction

Eurospec is a brand of Carlisle Brass used for commercially orientated hardware.

Eurospec levers are designed to provide beautifully engineered stainless steel commercial door hardware for the specification market. The SWL range will provide a cost effective stainless steel solution that can be used both commercially or for residential projects.

Eurospec brand products include:

- High specification hinges
- Door control mechanisms
- Panic hardware
- Cylinder locks
- Mortice locks and latches

Carlisle Brass Ltd. is an ISO 9001 and ISO 14001 certified company, which means that Eurospec branded products are fully traceable from point of manufacture to customer and that the environmental impact is being constantly measured and improved.

Accredited products carrying the Eurospec brand are stringently tested to ensure they comply to the latest regulations, which makes Eurospec branded products the ideal choice for the professional installer, architect or specifier.



SWL118SSS



Contents

SWL1006DUO	Page 6
SWL1008DUO	Page 6
SWL1009DUO	Page 6
SWL1010DUO	Page 7
SWL1116SSS	Page 7
SWL1118SSS	Page 7
SWL1119SSS	Page 8
SWL1120SSS	Page 8
SWL1121SSS	Page 8
SWL1122SSS	Page 9
SWL1126SSS	Page 9
SWL1127SSS	Page 9
SWL1131SSS	Page 10
SWL1132SSS	Page 10
SWL1133SSS	Page 10
SWL1134SSS	Page 11
SWL1135SSS	Page 11
SWL1158SSS	Page 11
SWL1159SSS	Page 12
SWL1160SSS	Page 12
SWL1161SSS	Page 12
SWL1165SSS	Page 13
SWL1167DUO	Page 13
SWL1168SSS	Page 13
SWL1190SSS	Page 14
SWL1191SSS	Page 14
SWL1192SSS	Page 14
SWL1194SSS	Page 15
SWL1196SSS	Page 15
SWL102/103	Page 15
SWT1016	Page 16
SWT1025i	Page 16
SWR1134	Page 16
SWR1137	Page 16
SWP1134	Page 17
SWP1160	Page 17
SWP1192	Page 18
SWP18	Page 18

SWL1158SSS



Eurospec SWL Designer Levers on Rose Range

Eurospec is an accredited product range, tested to the most stringent industry regulations, providing reassurance in quality and standard.

Designer Levers on Rose

- 7mm concealed rose
- Secure heso spindle fix
- G304 architectural quality levers for use on fire rated and smoke protection doors to BS EN 1634
- Full range of matching accessories
- Influenced by the latest market designs
- Suitable for commercial and residential use
- 10 year mechanical guarantee



SSS - Finished in Satin Stainless Steel



BSS - Finished in Bright Stainless Steel



BSS/SSS DUO finished in Polished and Satin Stainless Steel.

Key to Symbols



Grade 304 Stainless Steel.



Suitable for use in commercial environments.



Suitable for use in residential environments.



10 Year Mechanical Guarantee.



The UK Construction Products Regulations require that door hardware for use on fire doors be safe and durable.



BS EN 1906 is the British/European standard requirements and testing methods covering lever handles and knob furniture.

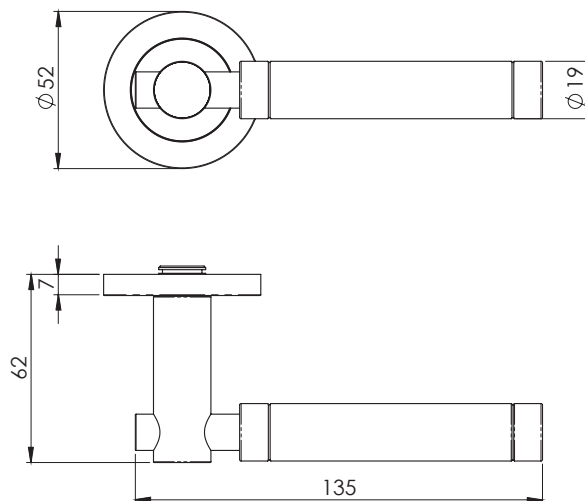
G304 SWL Designer Levers on Rose



SWL1006DUO

ASTORIA

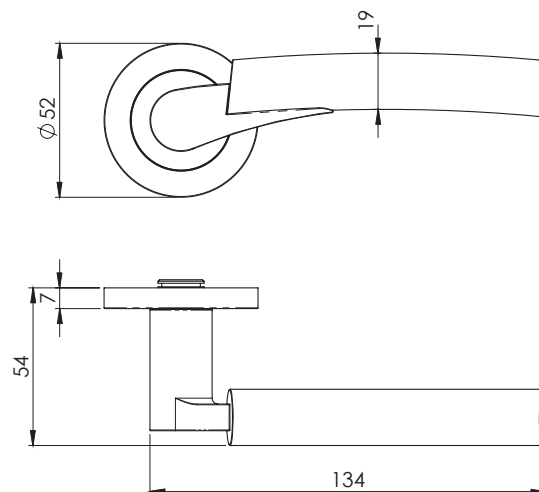
Stainless Steel Solid Designer Lever
on Satin Stainless Steel Threaded Rose 52x7mm



SWL1008DUO

VALIANT

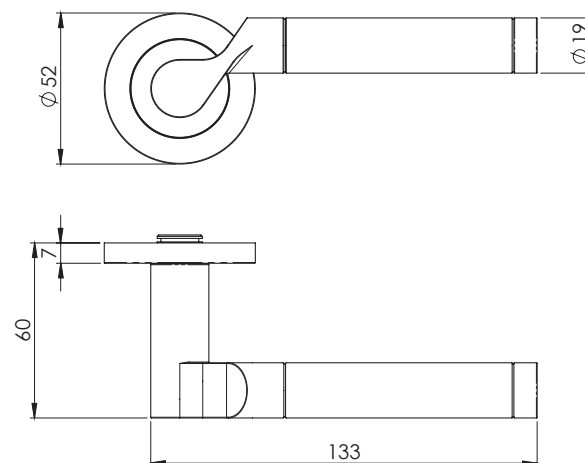
Stainless Steel Solid Designer Lever
on Satin Stainless Steel Threaded Rose 52x7mm



SWL1009DUO

LUCERNA

Stainless Steel Solid Designer Lever
on Satin Stainless Steel Threaded Rose 52x7mm



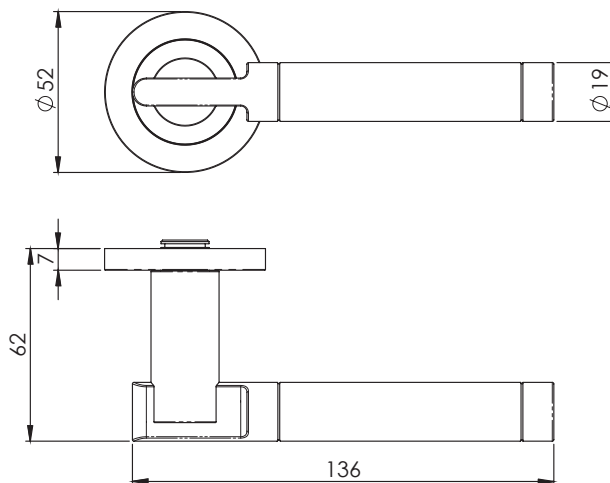
G304 SWL Designer Levers on Rose



SWL1010DUO

BERNA

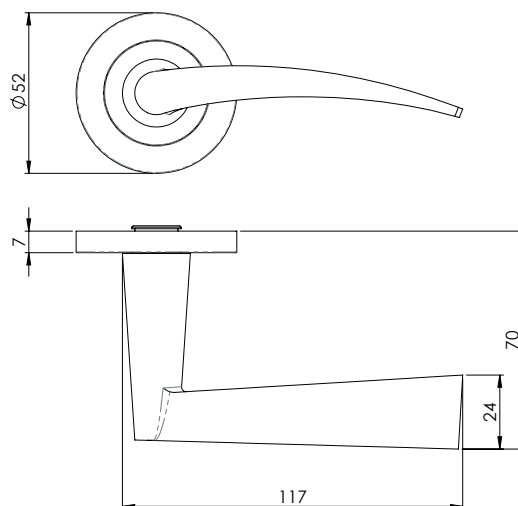
Stainless Steel Solid Designer Lever
on Satin Stainless Steel Threaded Rose 52x7mm



SWL1116SSS

VOLANTES

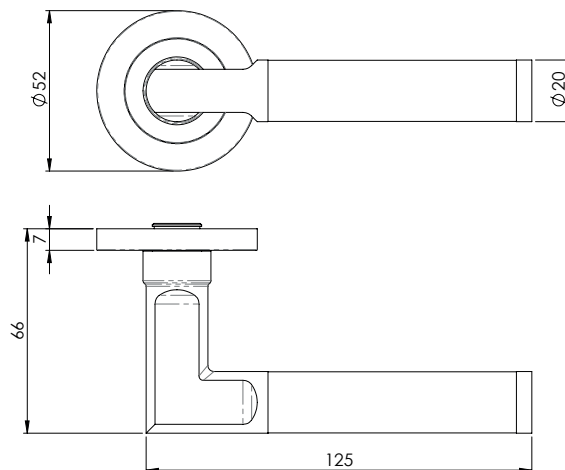
Satin Stainless Steel Solid Designer Lever
on Threaded Rose 52x7mm



SWL1118SSS

NIGRUM

Satin Stainless Steel Carbon Fibre Lever
on Threaded Rose 52x7mm



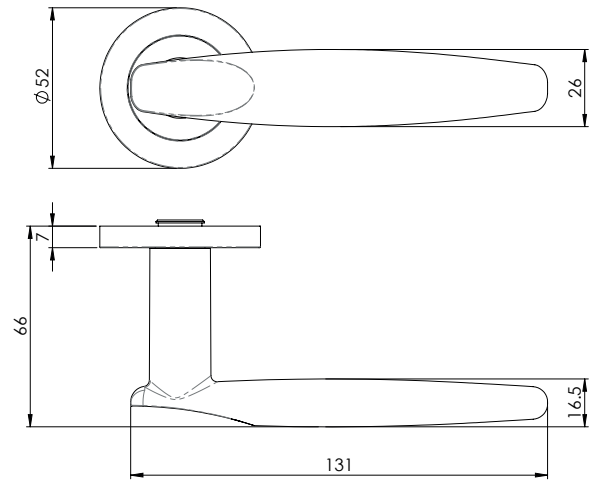
G304 SWL Designer Levers on Rose



SWL119SSS

AREI

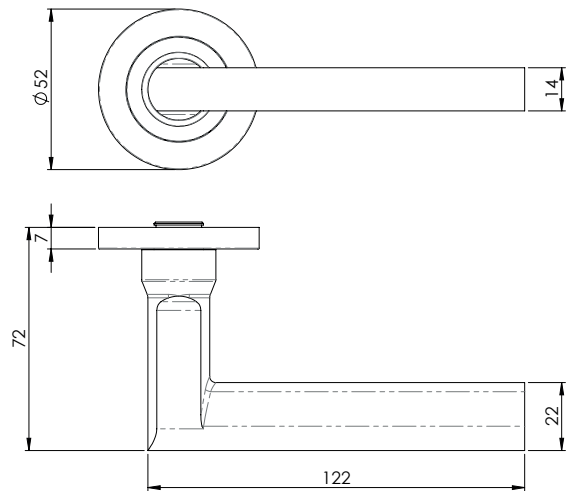
Satin Stainless Steel Solid Designer Lever on Threaded Rose 52x7mm



SWL1120SSS

SOHO

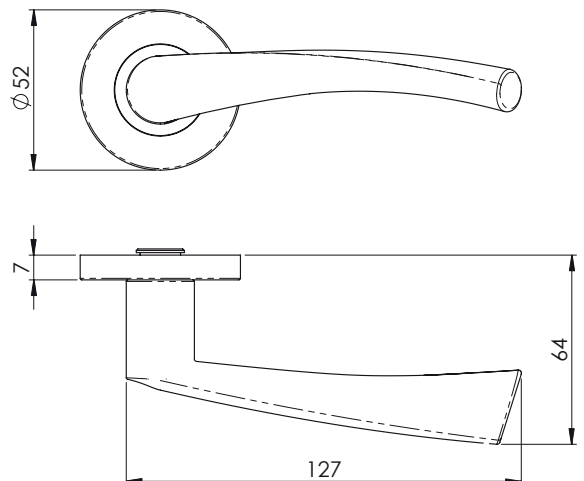
Satin Stainless Steel Solid Designer Lever on Threaded Rose 52x7mm



SWL1121SSS

BREEZE

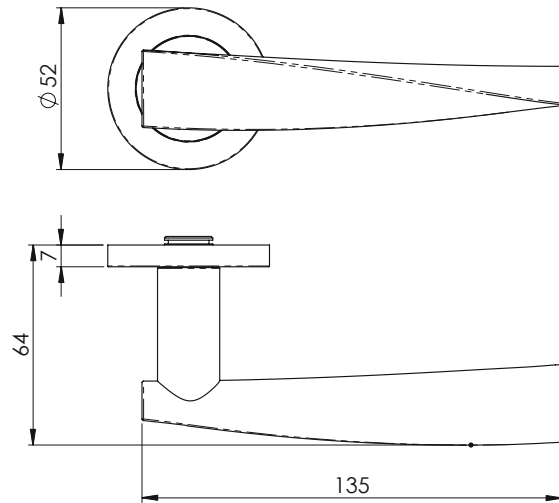
Satin Stainless Steel Designer Lever on Threaded Rose 52x7mm



SWL1122SSS

BREMA

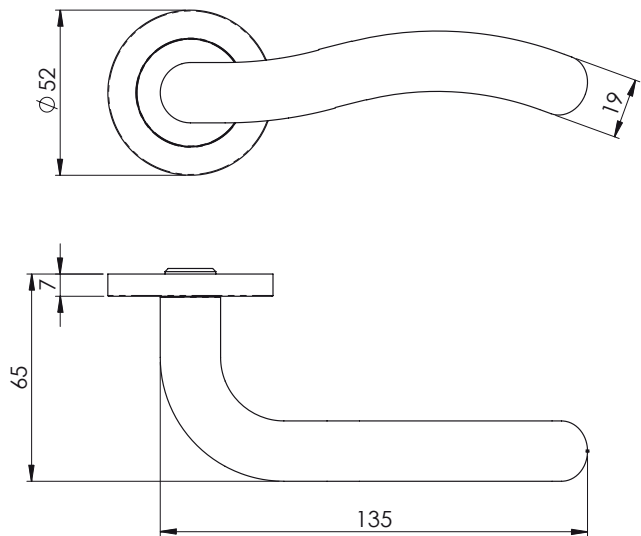
Satin Stainless Steel Solid Designer Lever on Threaded Rose 52x7mm



SWL1126SSS

MUNICH

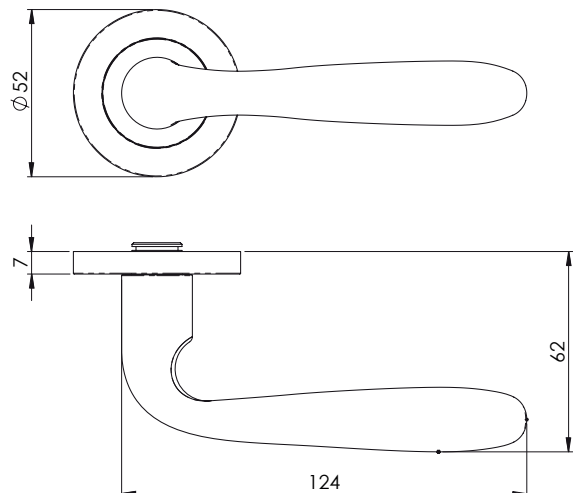
Satin Stainless Steel Designer Lever on Threaded Rose 52x7mm



SWL1127SSS

PENINSULA

Satin Stainless Steel Designer Lever on Threaded Rose 52x7mm



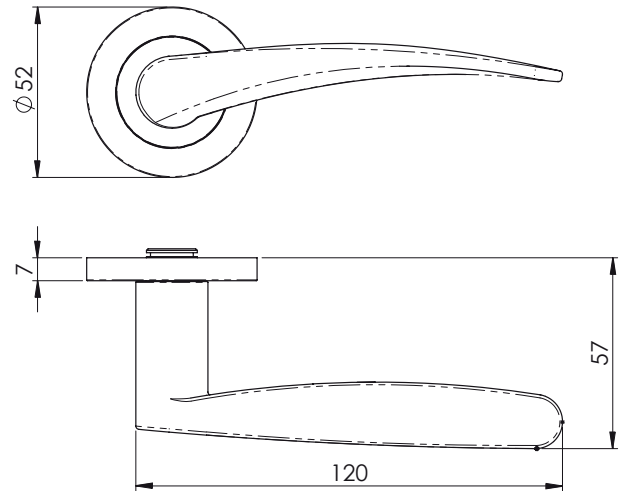
G304 SWL Designer Levers on Rose



SWL1131SSS

TIROLO

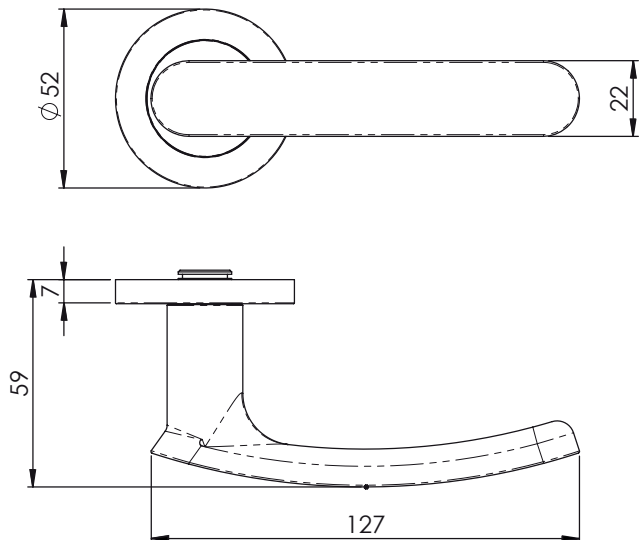
Satin Stainless Steel Solid Designer Lever on Threaded Rose 52x7mm



SWL1132SSS

BERLINO DDA COMPLIANT

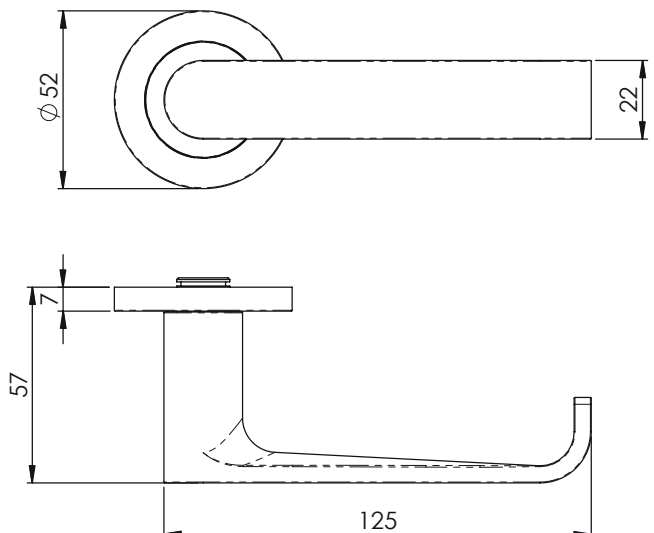
Satin Stainless Steel Solid Designer Lever on Threaded Rose 52x7mm



SWL1133SSS

ZURIGO

Satin Stainless Steel Designer Lever on Threaded Rose 52x7mm



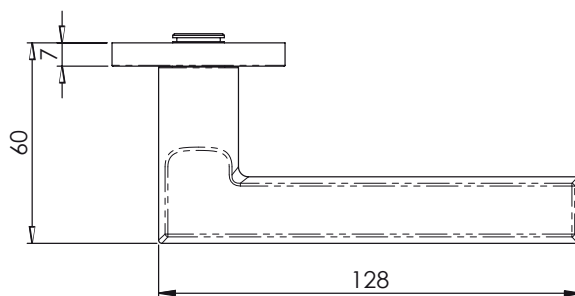
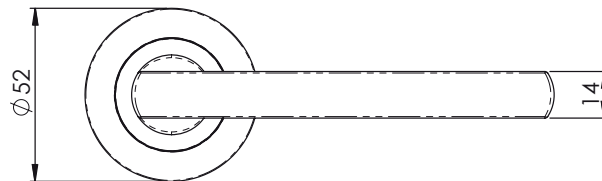
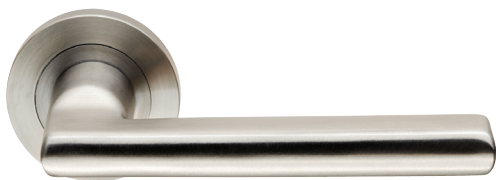
G304 SWL Designer Levers on Rose



SWL1134SSS

CARLTON

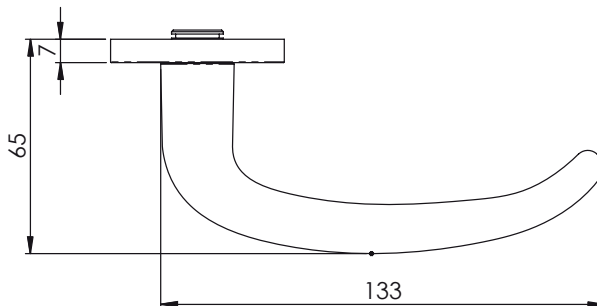
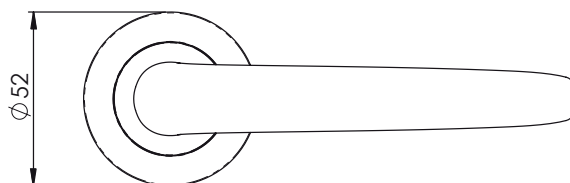
Satin Stainless Steel Designer Lever on Threaded Rose 52x7mm



SWL1135SSS

LUENZA DDA COMPLIANT

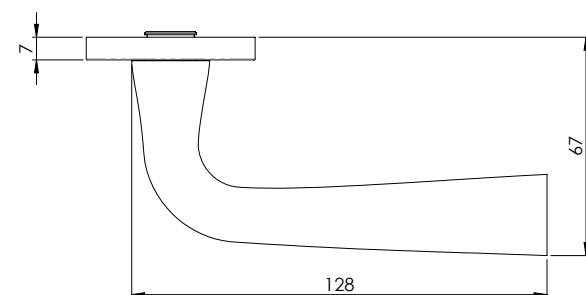
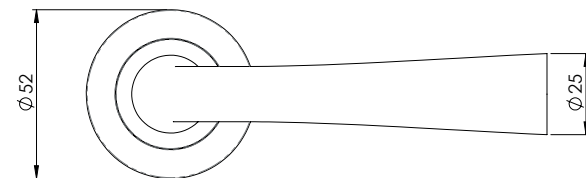
Satin Stainless Steel Designer Lever on Threaded Rose 52x7mm



SWL1158SSS

FLAVI

Satin Stainless Steel 19mm Designer Lever on Threaded Rose 52x7mm



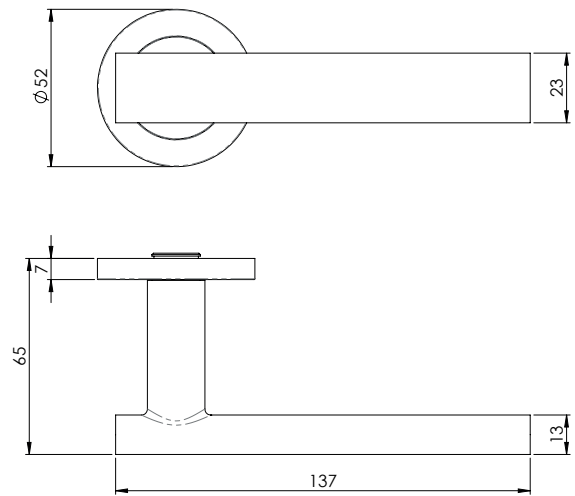
G304 SWL Designer Levers on Rose



SWL1159SSS

URBIS

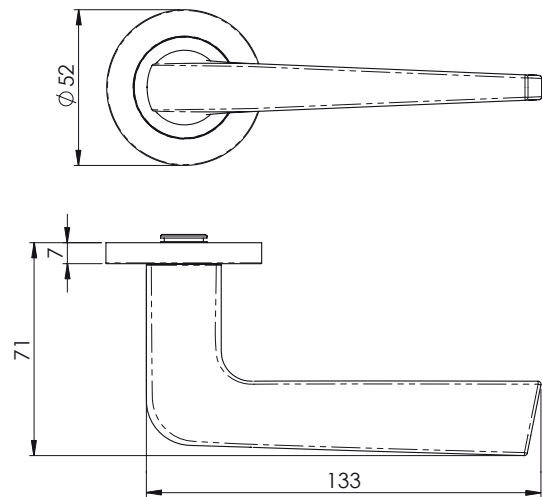
Satin Stainless Steel 19mm Designer Lever on Threaded Rose 52x7mm



SWL1160SSS

PLAZA

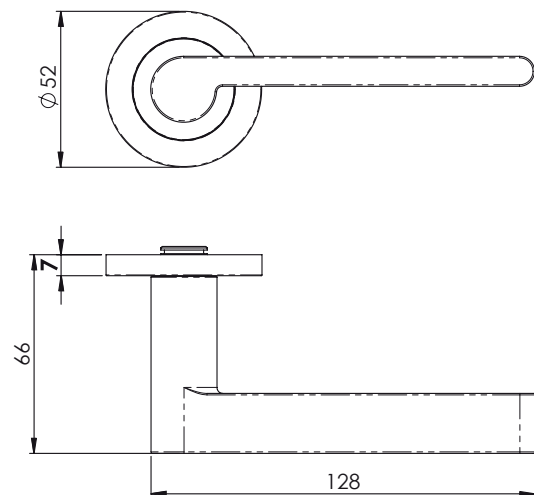
Satin Stainless Steel Designer Lever on Threaded Rose 52x7mm



SWL1161SSS

LUBECCA

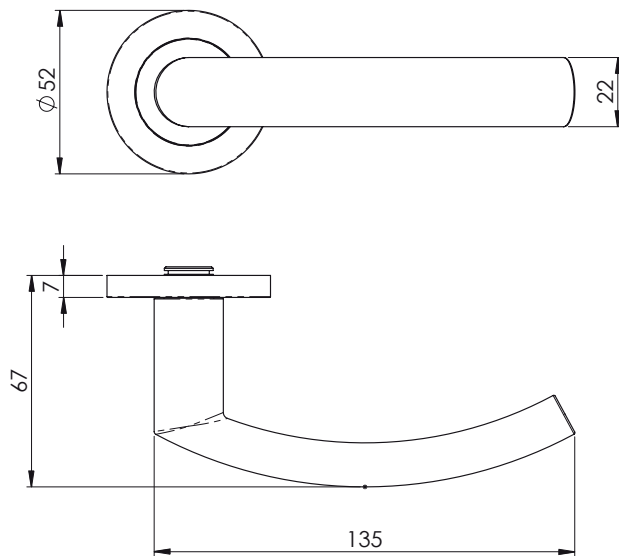
Satin Stainless Steel Solid Designer Lever on Threaded Rose 52x7mm



SWL1165SSS

SCIMITAR DDA COMPLIANT

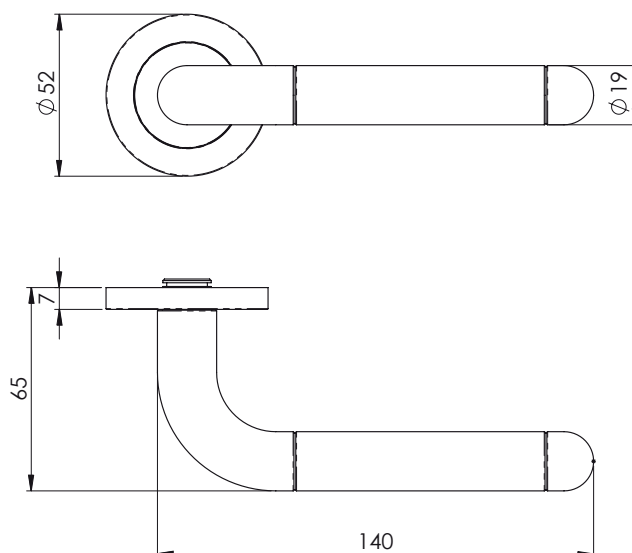
Satin Stainless Steel Designer Lever
on Threaded Rose 52x7mm



SWL1167DUO

SHORE

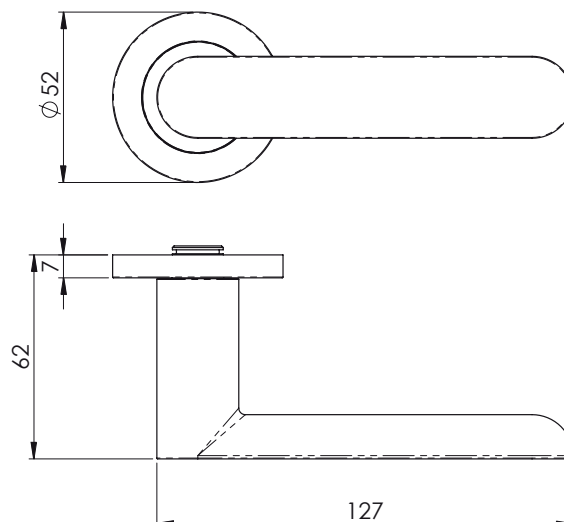
Satin Stainless Steel Designer Lever
on Threaded Rose 52x7mm



SWL1168SSS

PARIGI

Satin Stainless Steel Designer Lever
on Threaded Rose 52x7mm



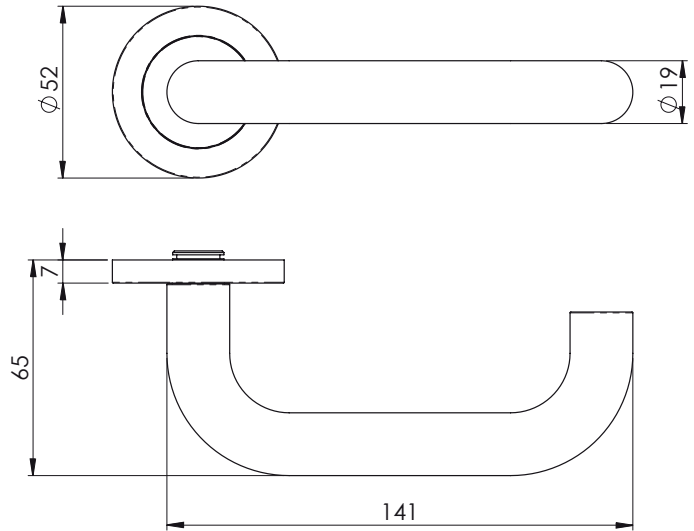
G304 SWL Designer Levers on Rose



SWL1190SSS

NERA DDA COMPLIANT

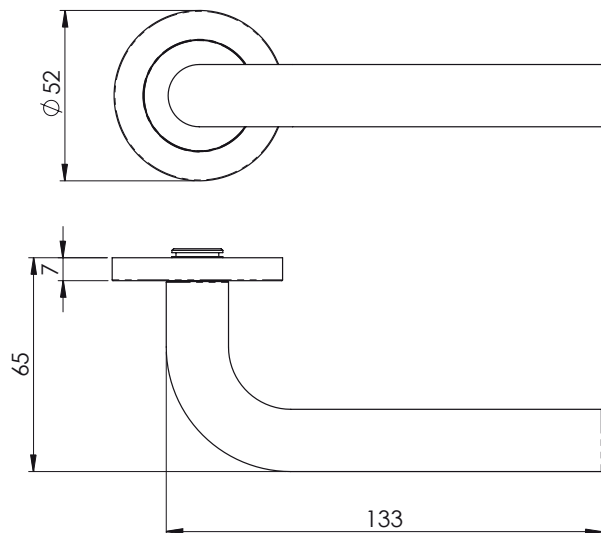
Satin Stainless Steel Designer Lever
on Threaded Rose 52x7mm



SWL1191SSS

SPIRA

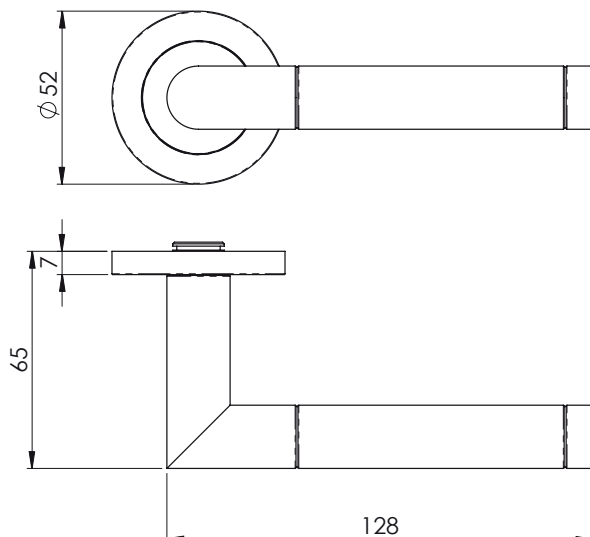
Satin Stainless Steel Designer Lever
on Threaded Rose 52x7mm



SWL1192DUO

TREVIRI

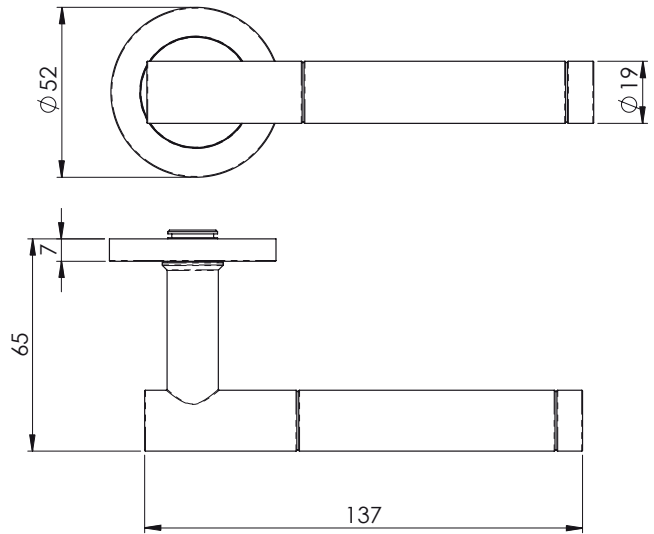
Satin Stainless Steel Designer Lever
on Threaded Rose 52x7mm



**SWL1194DUO
PHILADELPHIA**

Satin Stainless Steel Designer Lever on Threaded Rose 52x7mm

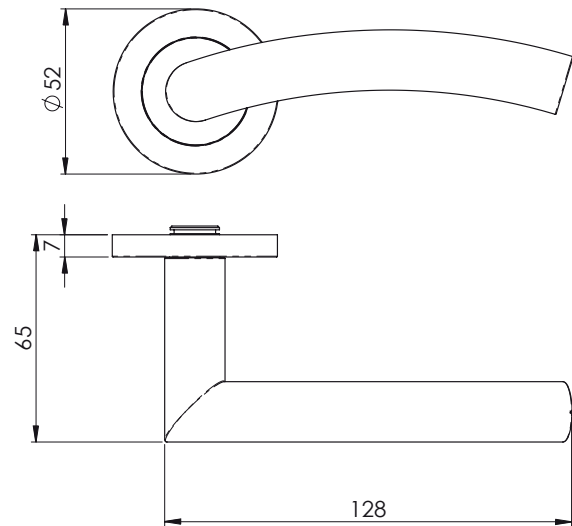
BSS/
SSS SSS



**SWL1196SSS
DRESDA**

Satin Stainless Steel Designer Lever on Threaded Rose 52x7mm

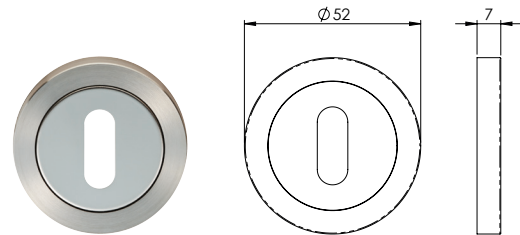
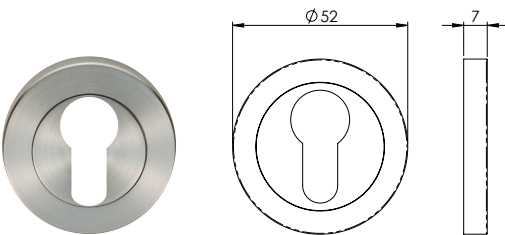
SSS



**SWL102/103
ESCUTCHEON**

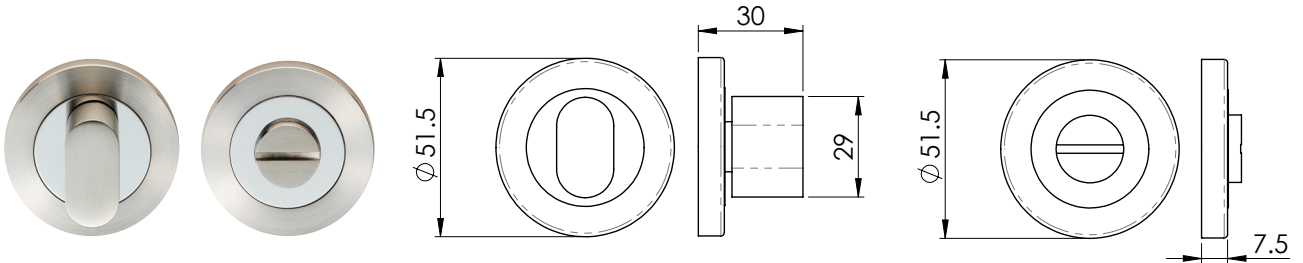
Satin Stainless Steel Designer Escutcheons Threaded Rose 52x7mm

BSS/
SSS BSS SSS



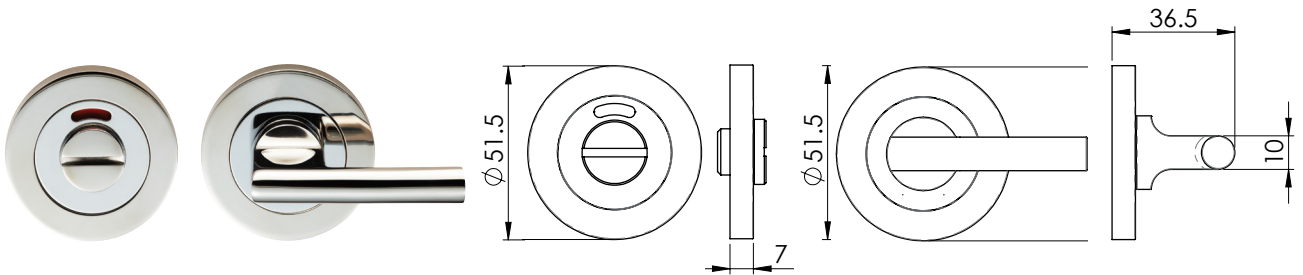
SWT1016
THUMBTURN AND RELEASE
 Threaded Rose 52x7mm

BSS/
SSS SSS BSS



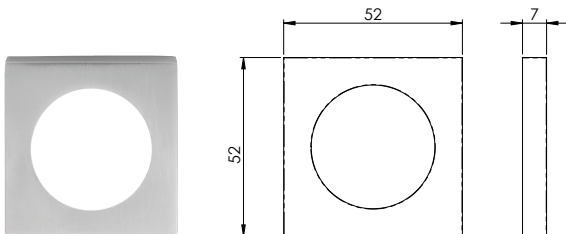
SWT1025i
DDA COMPLIANT THUMBTURN AND RELEASE
 Threaded Rose 52x7mm

BSS/
SSS SSS BSS



SWR1137
 Threaded Rose 52x7mm
 To suit SWL Levers

SSS BSS



SWR1134
 Threaded Rose Pack 52x7mm

SSS BSS



G304 SWL Designer Pull Handles



SWP1134SSS

CARLTON

Satin Stainless Steel Designer Pull Handle



Available Sizes
225mm
300mm
450mm
600mm

SWP1160SSS

PLAZA

Satin Stainless Steel Designer Pull Handle



Available Sizes
225mm
300mm
400mm
600mm

G304 SWL Designer Pull Handles



SWL1192SSS

TREVIRI

Satin Stainless Steel Designer Pull Handle



Available Sizes
SWP1192/300mm
SWP1192/350mm

SWP18SSS

CARBON FIBRE

Satin Stainless Steel Designer Pull Handle

Back to Back fixing compatible



Available Sizes
SWP18/300mm
SWP18/600mm



Fire door
keep shut

Fire door
keep shut

Fire door
keep shut

Fire door
keep shut

Fire door
keep shut

Fire door
keep shut

E+S
MP 5

E+S
MP 5

E+S
MP 5

E+S
MP 5

E+S
MP 5

E+S
MP 5

PUSH

PUSH

PUSH

PUSH

PUSH

PUSH

b

b

b

b

b

b

Guide to BS EN 1906:2012

Digit 5 - Safety

Grade 0: Normal use

Grade 1: Safety application - to qualify for this grade, handles must have high strength handle-to-plate and plate-to-door fixing and/or handle-to-spindle fixing, such that they would withstand a person grabbing in order to prevent falling. It is recommended that only Safety Grade 1 furniture is used at the top of cellar steps or other staircases.

Digit 1 - Category of Use

Grade 1: Medium frequency of use with a high incentive to exercise care and a small chance of misuse, e.g. internal residential doors;

Grade 2: Medium frequency of use by people with some incentive to exercise care but where there is some chance of misuse e.g. internal office doors;

Grade 3: High frequency of use by public or others with little incentive to exercise care and with a high chance of misuse, e.g. public office doors

Grade 4: High frequency of use on doors which are subject to frequent violent use, e.g. football stadiums, oil rigs, barracks, public toilets, etc

Digit 6 - Corrosion Resistance

Grade 0: No defined corrosion resistance

Grade 1: Mild resistance - minimum requirement for internal use

Grade 2: Moderate resistance

Grade 3: High resistance - minimum requirement for external use

Grade 4: Very high resistance - recommended for use in exposed marine atmospheres or very polluted industrial environments.

Note: Products intended to develop a natural patina (such as bronze or brass) are not required to comply with any requirements.

3 7 - 1 1 4 0 B

Digit 2 - Durability

Grade 6: Medium use - 100,000 cycles

Grade 7: High use - 200,000 cycles

The tests undertaken to achieve these grades involve the application of additional forces to the door furniture in order to stimulate the conditions of use likely to be experienced in the field.

Digit 3 - Test Door Mass

No requirement

Digit 7 - Security

Grade 0: Not approved for use on burglary resistant doors

Grade 1: Mild burglary resistance

Grade 2: Moderate burglary resistance

Grade 3: High burglary resistance

Grade 4: Extra high burglary resistance

Note: The main requirements include resistance to drilling, close fitting plates or escutcheons to help protect the lock and support the cylinder. They must be resistant to removal from the outside of the door and make provision to minimise the cylinder projection to a maximum of 3mm. Full details of the requirements can be found in BS EN 1906.

Digit 4 - Fire Resistance

Grade 0: Not approved for use on fire/smoke door assemblies.

Grade 1: Suitable for use on fire/smoke door assemblies.

Note: A Grade 1 classification means only that the furniture has been designed for use on fire/smoke control doors; the actual fire performance achieved (e.g. fire integrity of 30 minutes on a partially glazed timber door etc.) will be contained in a separate fire test report.

Digit 8 - Type of operation

Type A: Spring assisted furniture

Type B: Spring loaded furniture

Type U: Unsprung furniture



SWL1116SSS

Care of Finishes

Stainless steel needs to be cleaned for aesthetic considerations and to preserve corrosion resistance. Stainless steel is protected by a thin layer of chromium oxide.

Oxygen from the atmosphere combines with chromium in stainless steel to form a passive chromium oxide film that protects from further corrosion. Any contamination of the surface by dirt or other material hinders this passivation process and traps corrosive agents, reducing corrosion protection. Thus some form of routine cleaning is necessary to preserve the appearance and integrity of the surface.

They actually thrive with frequent cleaning and, unlike some other materials, it is impossible to 'wear out' stainless steel by excessive cleaning. Stainless steel performs best when clean - cleanliness is essential for maximum resistance to corrosion.

Stainless steel products should be wiped over with a clean cloth and warm water with a mild detergent on a frequent basis. For more stubborn dirt or stains use mild, non-abrasive powders such as typical household cleaners. These can be used with warm water, soft nylon bristle brushes, sponges or clean cloths.

For more aggressive cleaning a small amount of vinegar can be added to the powder. Carbon steel brushes should be avoided as they may leave particles embedded in the surface, which can lead to rusting. Cleaning should always be immediately followed by rinsing in clean hot water and the surface then wiped completely with a dry towel.

The maximum recommendation for routine cleaning is once a month and more often in areas subject to heavy soiling or frequent use.

☎ 01228 511 030
📞 01228 511 885
✉ Parkhouse Road, Carlisle, CA3 0JU
@ enquiries@carlislebrass.com
🌐 www.carlislebrass.com

