



EUROSPEC

STEELWORX® SSL LEVERS ON SQUARE ROSE



Fire door
keep shut

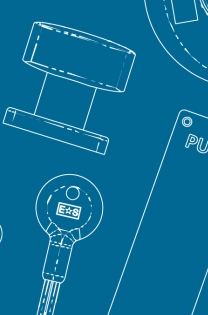
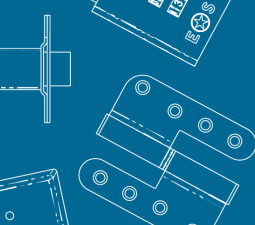
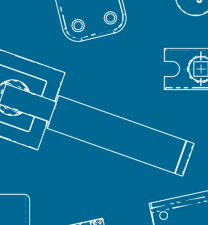
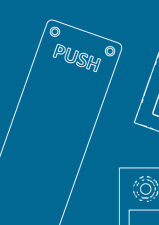
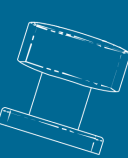
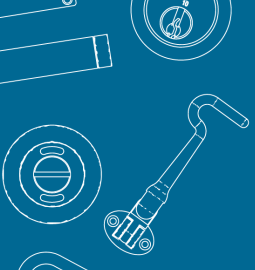
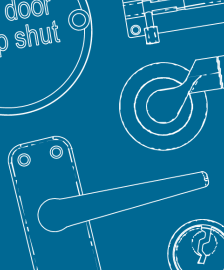
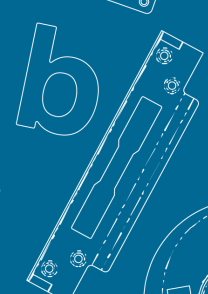
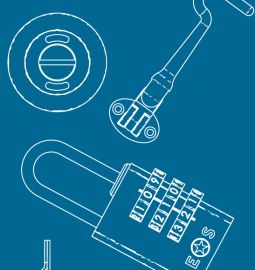
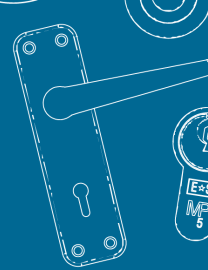
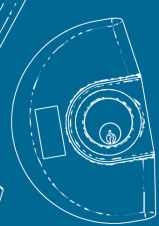
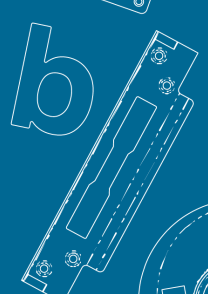
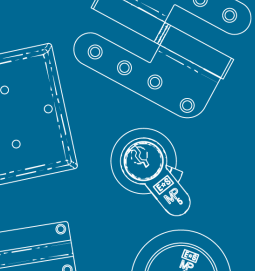
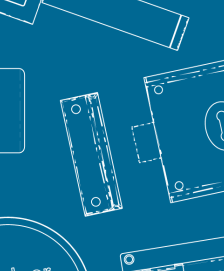
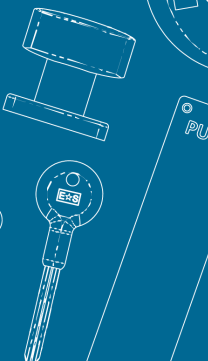
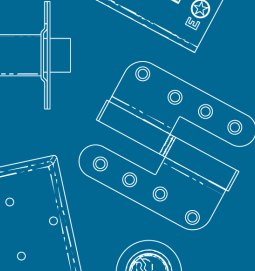
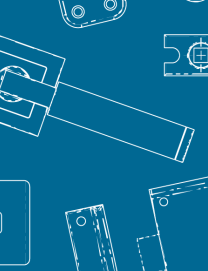
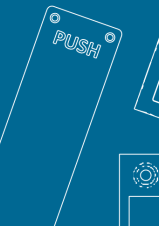
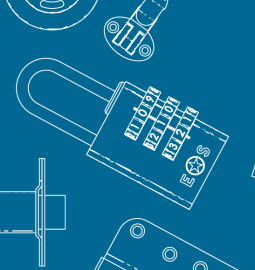
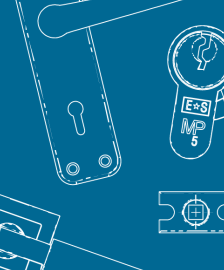
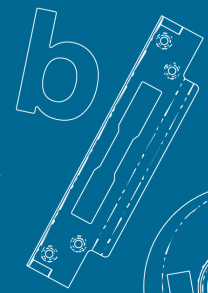
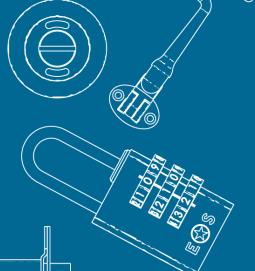
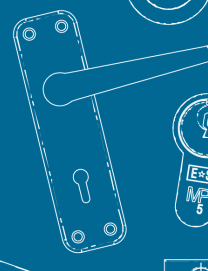
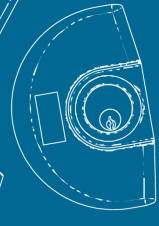
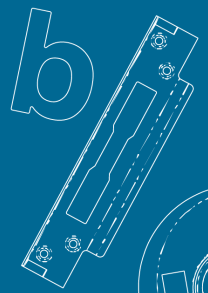
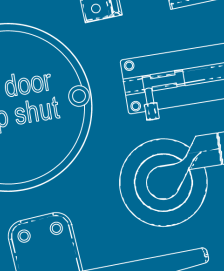
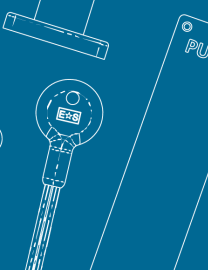
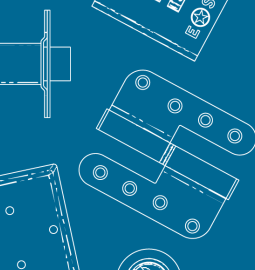
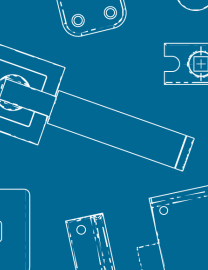
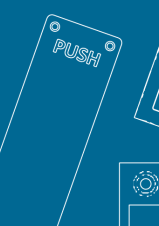
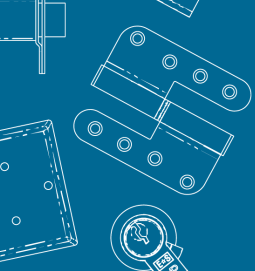
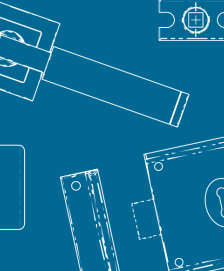
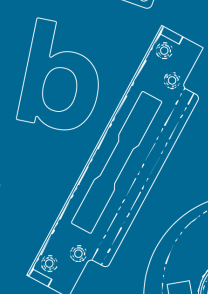
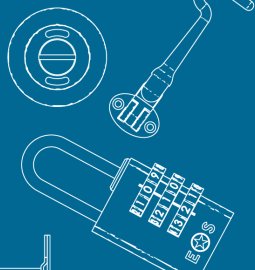
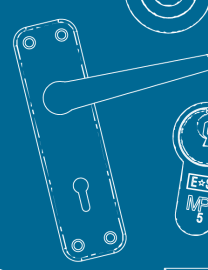
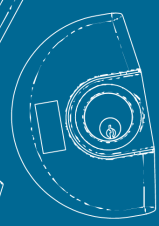
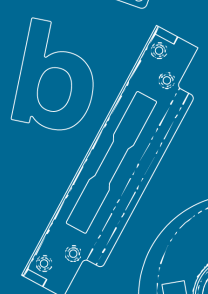
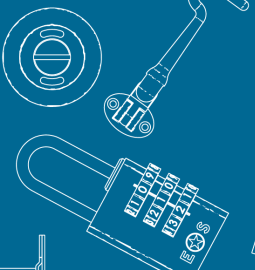
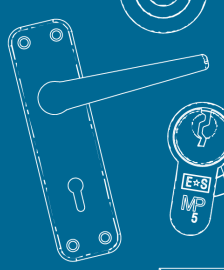
Fire door
keep shut

Fire door
keep shut

Fire door
keep shut

Fire door
keep shut

Fire door
keep shut



Introduction

Eurospec is a brand of Carlisle Brass used for commercially orientated hardware.

Eurospec levers are designed to provide beautifully engineered stainless steel commercial door hardware for the specification market. The SSL range will provide a cost effective stainless steel solution that can be used both commercially or for residential projects.

Eurospec brand products include:

- High specification hinges
- Door control mechanisms
- Panic hardware
- Cylinder locks
- Mortice locks and latches

Carlisle Brass Ltd. is an ISO 9001 and ISO 14001 certified company, which means that Eurospec branded products are fully traceable from point of manufacture to customer and that the environmental impact is being constantly measured and improved.

Accredited products carrying the Eurospec brand are stringently tested to ensure they comply to the latest regulations, which makes Eurospec branded products the ideal choice for the professional installer, architect or specifier.



SSL1421SSS



Contents

	SSL1401SSS	Page 6
	SSL1402SSS	Page 6
	SSL1403SSS	Page 7
	SSL1404SSS	Page 7
	SSL1405DUO	Page 8
	SSL1406DUO	Page 8
	SSL1421SSS	Page 9
	SSL1423SSS	Page 9
	SSL1424SSS	Page 10
	SSL1425SSS	Page 10
	SSK1062SSS	Page 11
	SWE1062SSS	Page 11
	Accessories	Pages 12+13
	Pull Handles and Fittings	Page 14

SSL1425SSS



Eurospec SSL Levers on Square Rose Range

Eurospec is an accredited product range, tested to the most stringent industry regulations, providing reassurance in quality and standard.

Levers on Square Rose

- 8mm square concealed rose
- Secure hexo spindle fix
- G304 architectural quality levers
- Full range of matching accessories
- Influenced by the latest market designs
- Suitable for commercial and residential use
- 10 year mechanical guarantee



SSS - Finished in Satin Stainless Steel



BSS/SSS DUO finished in Polished and Satin Stainless Steel.

Key to Symbols



Grade 304 Stainless Steel.



Suitable for use in commercial environments.



Suitable for use in residential environments.



10 Year Mechanical Guarantee.



The UK Construction Products Regulations require that door hardware for use on fire doors be safe and durable.



BS EN 1906 is the British/European standard requirements and testing methods covering lever handles and knob furniture.

G304 SSL Levers on Square Rose

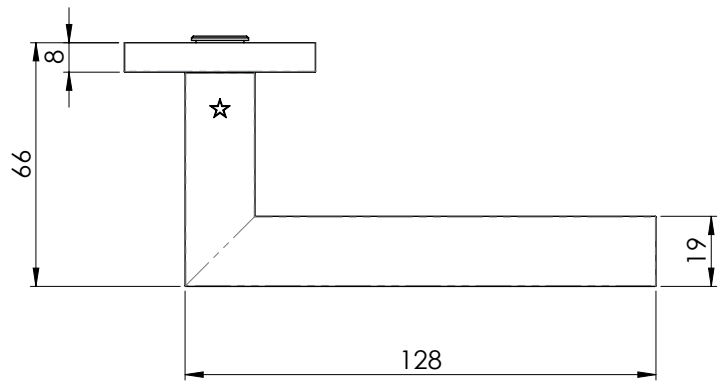
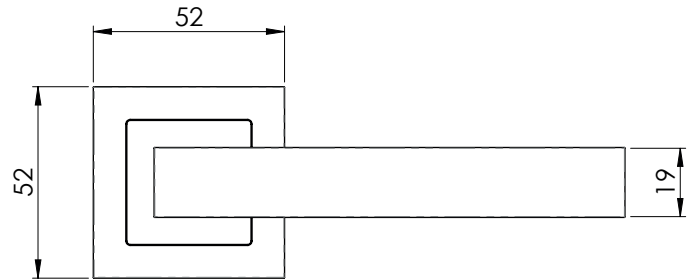
SSL1401SSS

ALVAR

19mm Square Mitred Lever
on 52x8mm Sprung Square Rose



Square Profile



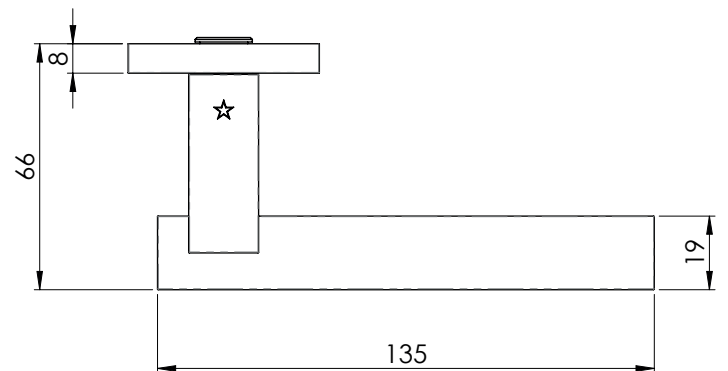
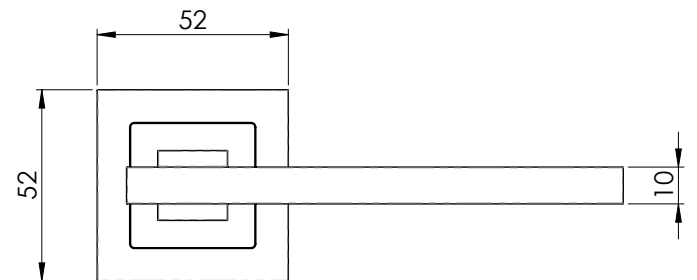
SSL1402SSS

TANGE

10x19mm Flat Lever
on 52x8mm Sprung Square Rose



Rectangular Profile



G304 SSL Levers on Square Rose



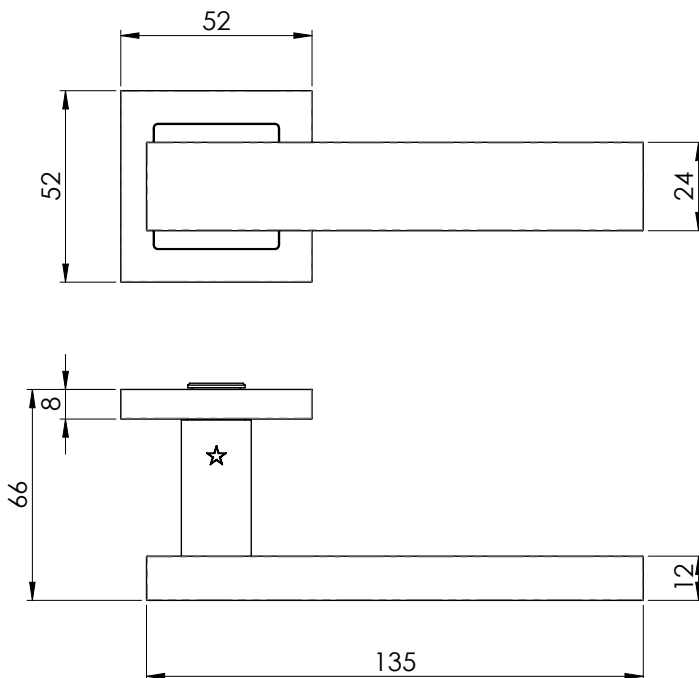
SSL1403SSS

CARLA

24x12mm Rectangular Lever
on 52x8mm Sprung Square Rose



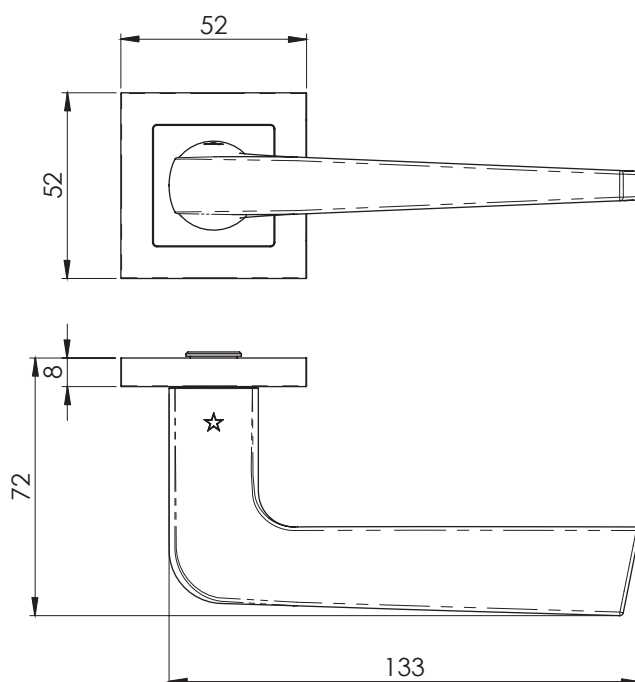
Rectangular Profile



SSL1404SSS

PLAZA

Designer Lever on 52x8mm
Sprung Square Rose



G304 SSL Levers on Square Rose



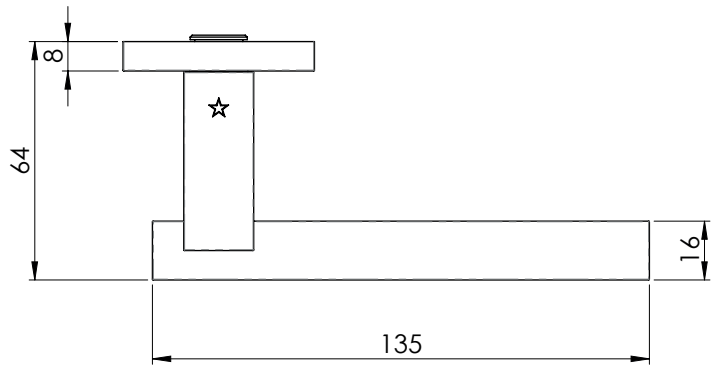
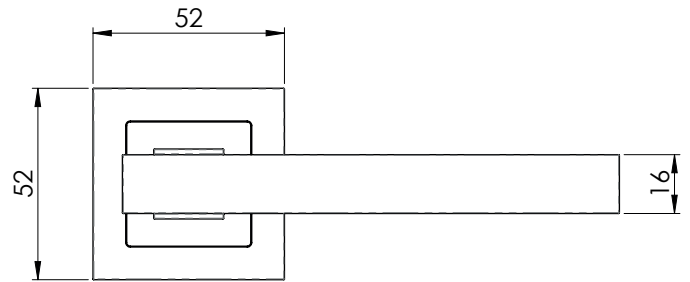
SSL1405DUO

RENZO

16mm Square Lever on Sprung Square Rose.
Rose 52x52x8mm, Satin, HESO Fix Spindle Fixing



Square Profile



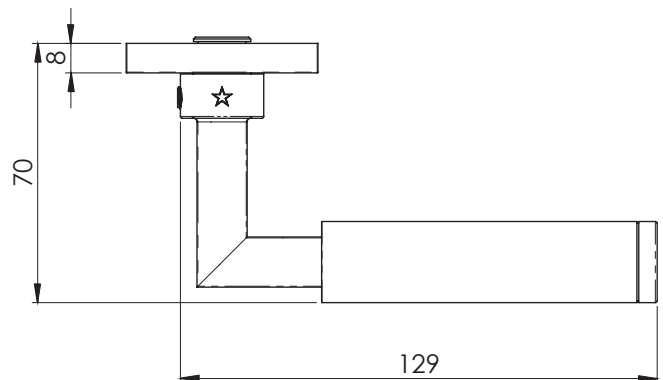
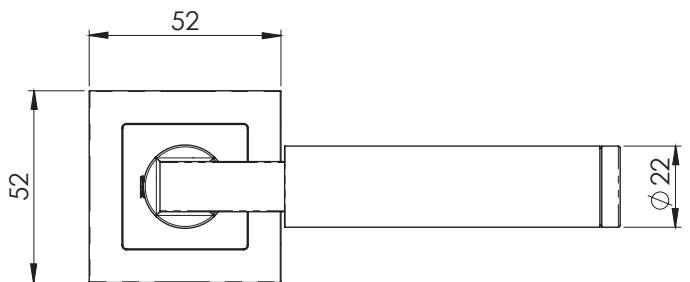
SSL1406DUO

FAGUS

22mm Diameter, 14mm Square Mitred Designer Lever on Sprung Square Rose.
Rose 52x52x8mm, Satin, HESO Fix Spindle Fixing



Round Profile



G304 SSL Levers on Square Rose



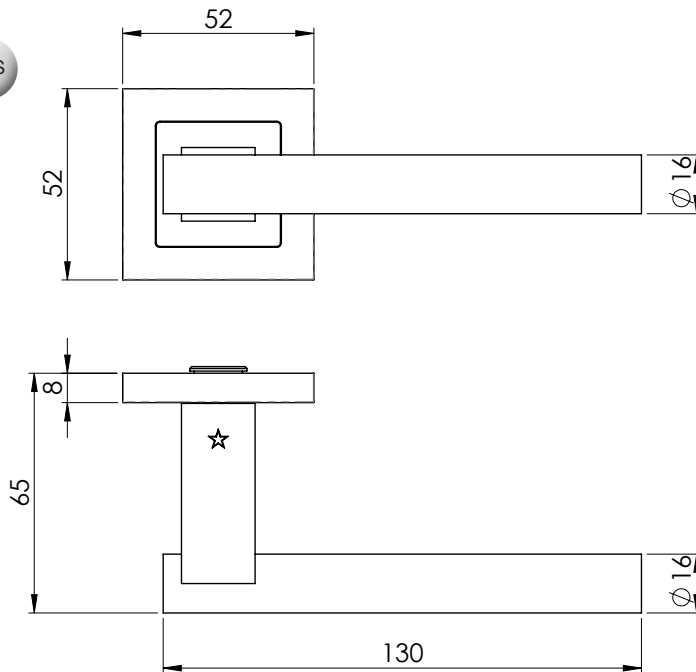
SSL1421SSS

TIMES

16mm Diameter Designer Lever on Sprung Square Rose. Rose 52x52x8mm, Satin, HESO Fix Spindle Fixing



Round Profile



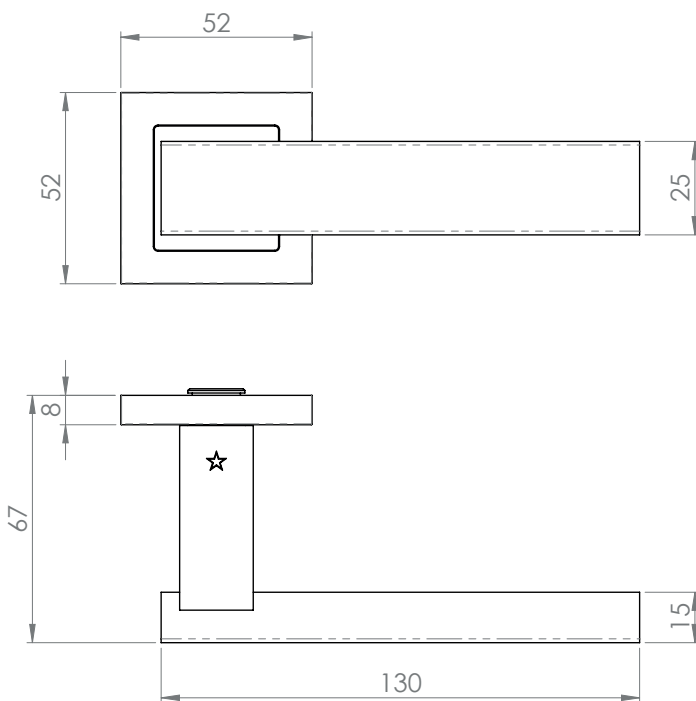
SSL1423SSS

TRAFALGAR

Designer Lever on Sprung Square Rose. Rose 52x52x8mm, Satin, HESO Fix Spindle Fixing



Half-round Profile



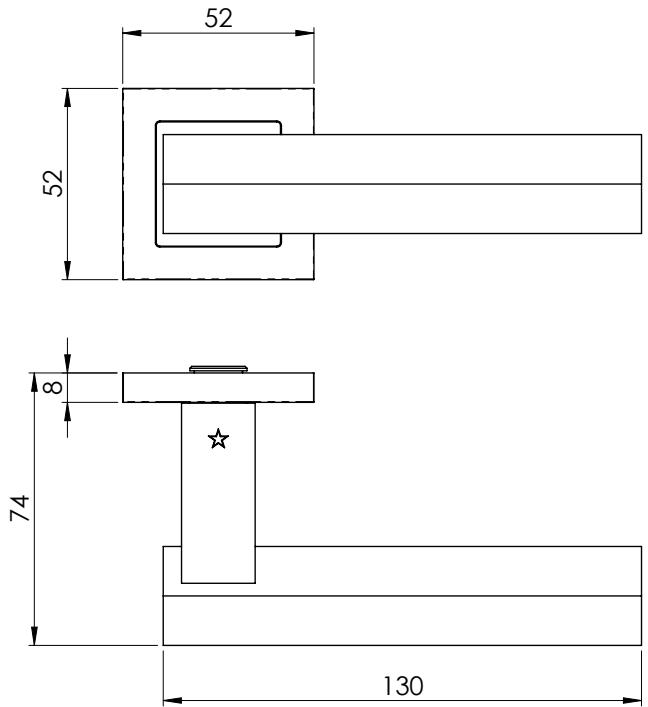
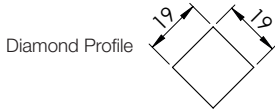
G304 SSL Levers on Square Rose



SSL1424SSS

ARMAS

Designer Lever on Sprung Square Rose.
Rose 52x52x8mm, Satin, HESO Fix Spindle Fixing



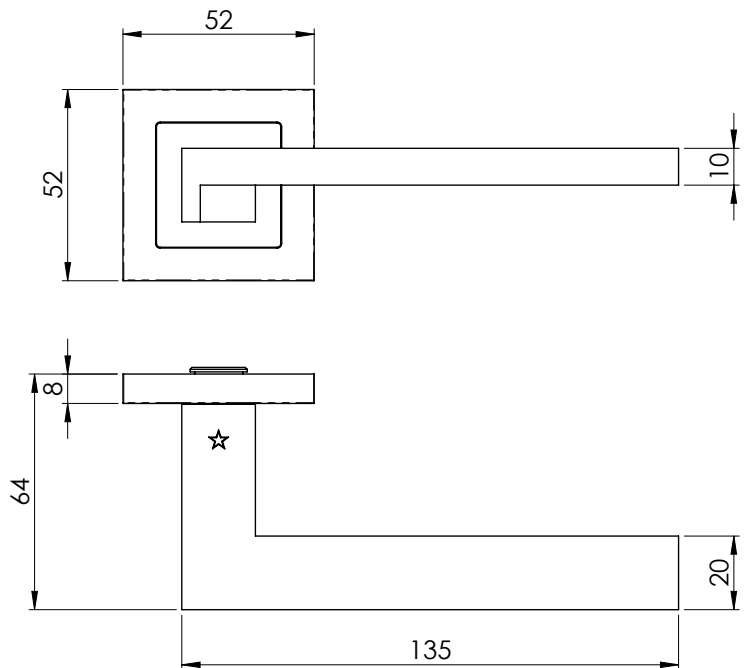
SSL1425SSS

MADISON

Designer Lever on Sprung Square Rose.
Rose 52x52x8mm, Satin, HESO Fix Spindle Fixing



Rectangular Profile

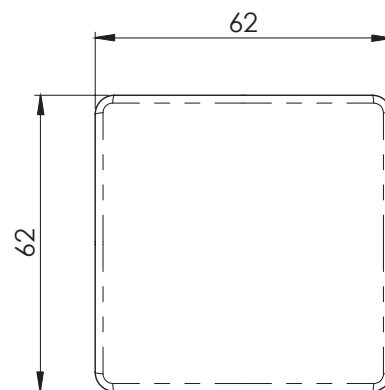
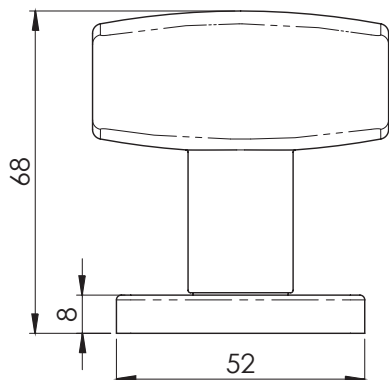


G304 SSL Door Knobs on Square Rose



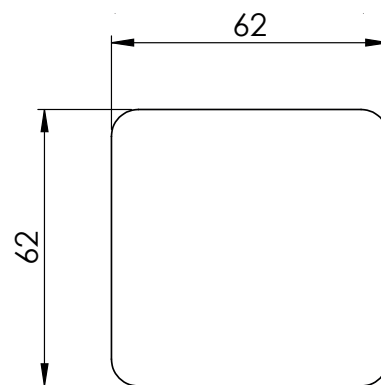
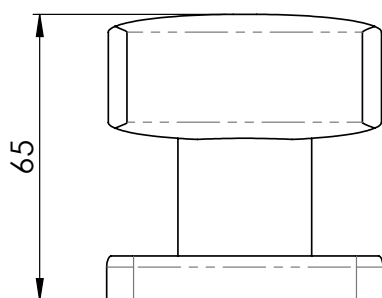
SSK1062SSS

Eurospec SSL Square Knobset
Rose 52x52x8mm, Satin, HESO Fix Spindle Fixing



SWE1062SSS

Steelworx SWE Square Centre Knob

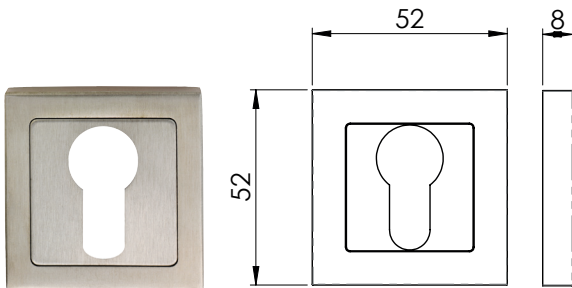


SSE1405SS/SSS

Euro Profile Square Escutcheon
52x8mm



(Both finishes included in pack)

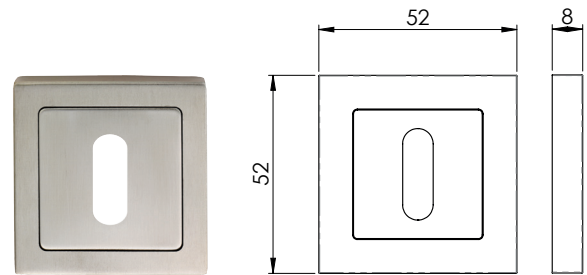


SSP1405SS/SSS

Standard Lock Square Escutcheon
52x8mm



(Both finishes included in pack)



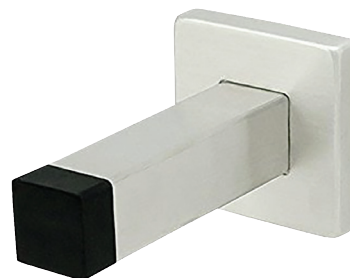
DSF1430SSS

Eurospec Square Floor Door Stop



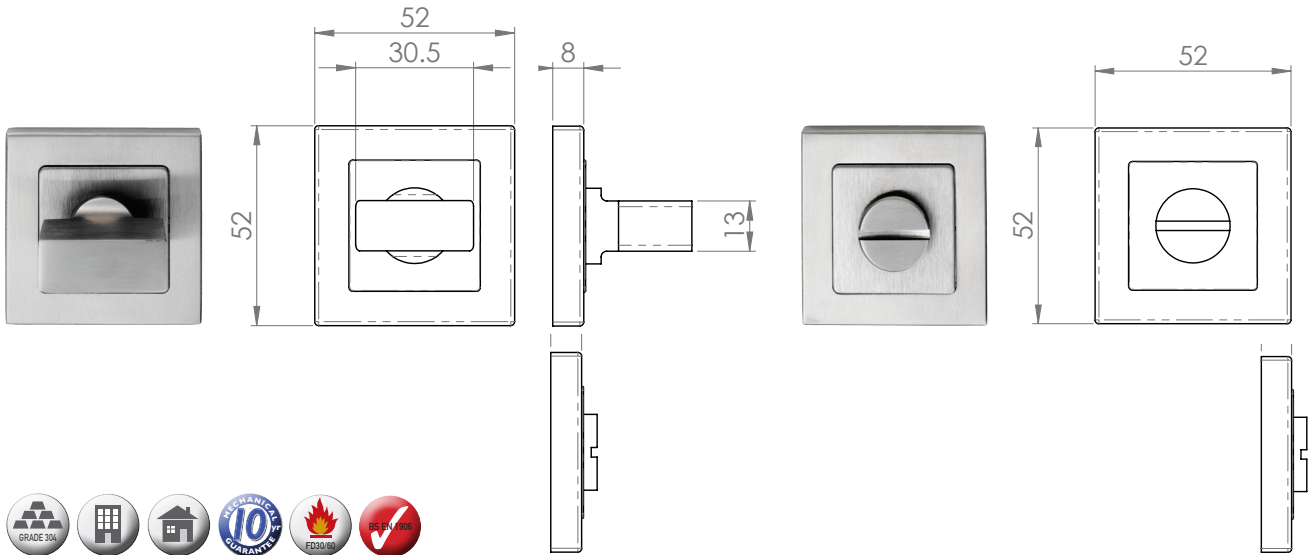
DSW1415SSS

Steelworx Square Skirting Door Stop
on 52x8mm Square Rose



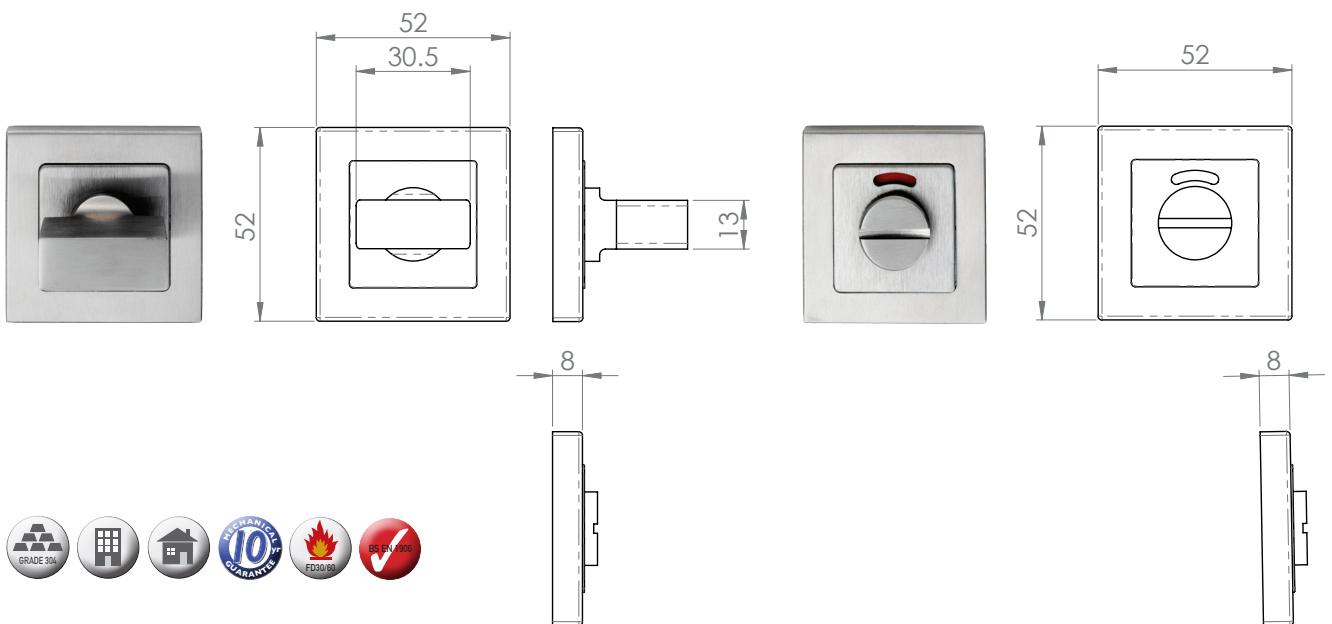
SST1415DUO
SST1415SSS

Square Thumbturn and Release
on 52x8mm Square Rose



SST1415-iSSS

Square Thumbturn and Release
with indicator
on 52x8mm Square Rose



SSM1415SS

19mm Square Mitred Pull Handle
150mm c/c



SSM1422SS

19mm Square Mitred Pull Handle
225mm c/c

SSM1430SS

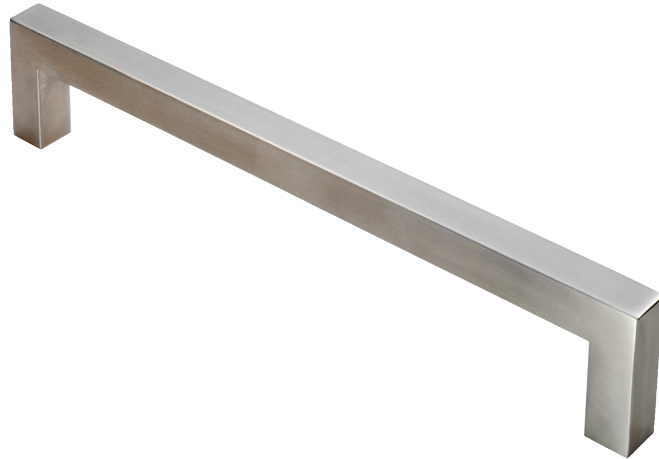
19mm Square Mitred Pull Handle
300mm c/c

SSM1445SS

19mm Square Mitred Pull Handle
450mm c/c

SSM1460SS

19mm Square Mitred Pull Handle
600mm c/c



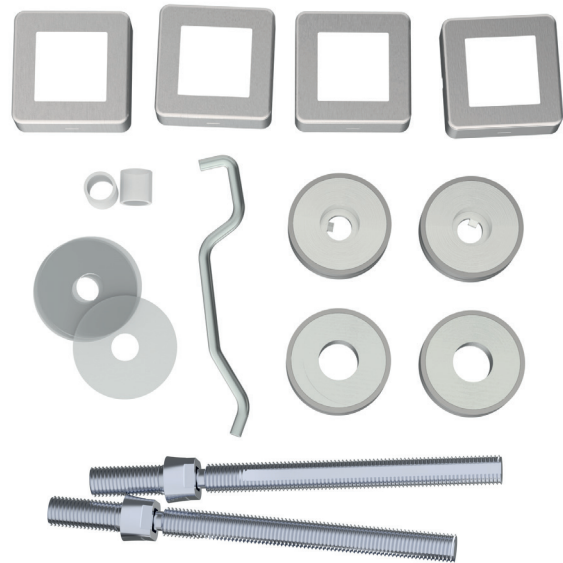
SSR1405SS/DUO

Square Rose Pack (pair)
52x8mm to suit Square Pull Handles
(Both finishes included in pack)



BBF1019SS/SQ

Back to Back Fixing Pack Square Roses
to suit 19mm Diameter Pull Handle



SSL1421SSS



Guide to BS EN 1906:2012

Digit 5 - Safety

Grade 0: Normal use

Grade 1: Safety application - to qualify for this grade, handles must have high strength handle-to-plate and plate-to-door fixing and/or handle-to-spindle fixing, such that they would withstand a person grabbing in order to prevent falling.

It is recommended that only Safety Grade 1 furniture is used at the top of cellar steps or other staircases.

Digit 1 - Category of Use

Grade 1: Medium frequency of use with a high incentive to exercise care and a small chance of misuse, e.g. internal residential doors;

Grade 2: Medium frequency of use by people with some incentive to exercise care but where there is some chance of misuse e.g. internal office doors;

Grade 3: High frequency of use by public or others with little incentive to exercise care and with a high chance of misuse, e.g. public office doors

Grade 4: High frequency of use on doors which are subject to frequent violent use, e.g. football stadiums, oil rigs, barracks, public toilets, etc

Digit 6 - Corrosion Resistance

Grade 0: No defined corrosion resistance

Grade 1: Mild resistance - minimum requirement for internal use

Grade 2: Moderate resistance

Grade 3: High resistance - minimum requirement for external use

Grade 4: Very high resistance - recommended for use in exposed marine atmospheres or very polluted industrial environments.

Note: Products intended to develop a natural patina (such as bronze or brass) are not required to comply with any requirements.

3 7 - 1 1 4 0 B

Digit 2 - Durability

Grade 6: Medium use - 100,000 cycles

Grade 7: High use - 200,000 cycles

The tests undertaken to achieve these grades involve the application of additional forces to the door furniture in order to stimulate the conditions of use likely to be experienced in the field.

Digit 3 - Test Door Mass

No requirement

Digit 7 - Security

Grade 0: Not approved for use on burglary resistant doors

Grade 1: Mild burglary resistance

Grade 2: Moderate burglary resistance

Grade 3: High burglary resistance

Grade 4: Extra high burglary resistance

Note: The main requirements include resistance to drilling, close fitting plates or escutcheons to help protect the lock and support the cylinder. They must be resistant to removal from the outside of the door and make provision to minimise the cylinder projection to a maximum of 3mm. Full details of the requirements can be found in BS EN 1906.

Digit 4 - Fire Resistance

Grade 0: Not approved for use on fire/smoke door assemblies.

Grade 1: Suitable for use on fire/smoke door assemblies.

Note: A Grade 1 classification means only that the furniture has been designed for use on fire/smoke control doors; the actual fire performance achieved (e.g. fire integrity of 30 minutes on a partially glazed timber door etc.) will be contained in a separate fire test report.

Digit 8 - Type of operation

Type A: Spring assisted furniture

Type B: Spring loaded furniture

Type U: Unsprung furniture



SSL1425SSS

Care of Finishes

Stainless steel needs to be cleaned for aesthetic considerations and to preserve corrosion resistance. Stainless steel is protected by a thin layer of chromium oxide.

Oxygen from the atmosphere combines with chromium in stainless steel to form a passive chromium oxide film that protects from further corrosion. Any contamination of the surface by dirt or other material hinders this passivation process and traps corrosive agents, reducing corrosion protection. Thus some form of routine cleaning is necessary to preserve the appearance and integrity of the surface.

They actually thrive with frequent cleaning and, unlike some other materials, it is impossible to 'wear out' stainless steel by excessive cleaning. Stainless steel performs best when clean - cleanliness is essential for maximum resistance to corrosion.

Stainless steel products should be wiped over with a clean cloth and warm water with a mild detergent on a frequent basis. For more stubborn dirt or stains use mild, non-abrasive powders such as typical household cleaners. These can be used with warm water, soft nylon bristle brushes, sponges or clean cloths.

For more aggressive cleaning a small amount of vinegar can be added to the powder. Carbon steel brushes should be avoided as they may leave particles embedded in the surface, which can lead to rusting. Cleaning should always be immediately followed by rinsing in clean hot water and the surface then wiped completely with a dry towel.

The maximum recommendation for routine cleaning is once a month and more often in areas subject to heavy soiling or frequent use.

☎ 01228 511 030
📞 01228 511 885
✉ Parkhouse Road, Carlisle, CA3 0JU
@ enquiries@carlislebrass.com
🌐 www.carlislebrass.com

