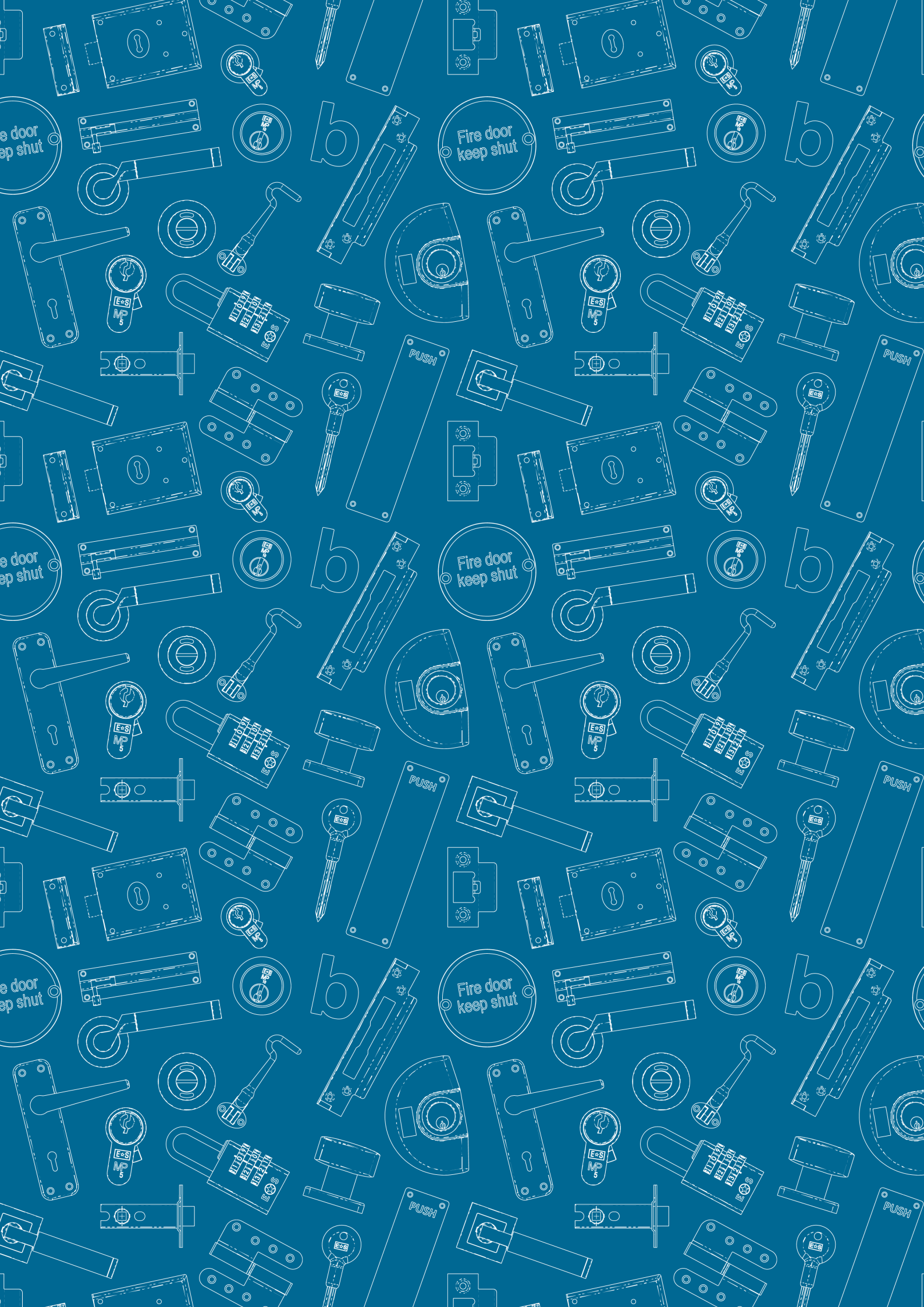




**EUROSPEC**

**STEELWORX® CSL LEVERS ON 6mm ROSE**





# Introduction

Eurospec is a brand of Carlisle Brass used for commercially orientated hardware.

Eurospec levers are designed to provide beautifully engineered stainless steel commercial door hardware for the specification market. The CSL range will provide a cost effective stainless steel solution that can be used both commercially or for residential projects.

Eurospec brand products include:

High specification hinges  
Door control mechanisms  
Panic hardware  
Cylinder locks  
Mortice locks and latches

Carlisle Brass Ltd. is an ISO 9001 and ISO 14001 certified company, which means that Eurospec branded products are fully traceable from point of manufacture to customer and that the environmental impact is being constantly measured and improved.

Accredited products carrying the Eurospec brand are stringently tested to ensure they comply to the latest regulations, which makes Eurospec branded products the ideal choice for the professional installer, architect or specifier.





CSL1194/6SSS





## Contents

	CSL1190/6SSS .....	Page 6
	CSL1192/6SSS .....	Page 6
	CSL1194/6SSS .....	Page 7
	CSL1121/6SSS .....	Page 7
	CSL1127/6SSS .....	Page 8
	CSL1128/6SSS .....	Page 8
	CSL1129/6SSS .....	Page 9
	CSB1006SSS .....	Page 9
	CSE1006SSS .....	Page 10
	CSP1006SSS .....	Page 10
	CSU1006SSS .....	Page 10
	CSR1006SSS .....	Page 10
	CST1018SSS .....	Page 11
	CST1028SSS .....	Page 11



CSL1128/6SSS





# Eurospec CSL Lever on 6mm Rose Range

Eurospec is an accredited product range, tested to the most stringent industry regulations, providing reassurance in quality and standard.

## Levers on Rose

- 6mm slim fit rose designed in line with the latest market trends
- Stainless steel inner rose
- No additional morticing over 8mm
- Blank escutcheon with bolt through fixings now added to the range
- G304 architectural quality sprung levers
- Secure heso spindle fix
- Full range of matching accessories
- Redesigned box to save space and reduce transport costs
- 10 year mechanical guarantee
- Suitable for commercial and domestic use



**SSS** - Finished in Satin Stainless Steel

## Key to Symbols



Grade 304 Stainless Steel.



Suitable for use in commercial environments.



Suitable for use in domestic environments.



10 Year Mechanical Guarantee.



The UK Construction Products Regulations require that door hardware for use on fire doors be safe and durable.



BS 8300 is the design of buildings and their approaches to meet the needs of disabled people.



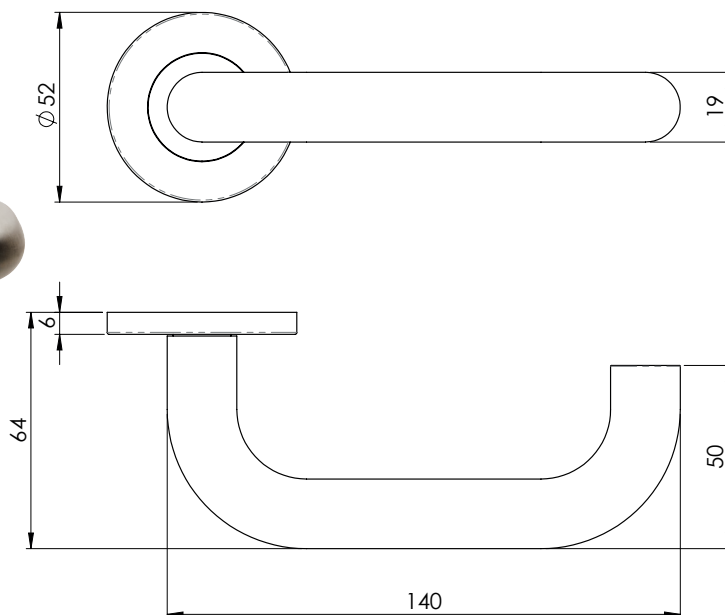
BS EN 1906 is the British/European standard requirements and testing methods covering lever handles and knob furniture.



**CSL1190/6SSS**

**NERA**

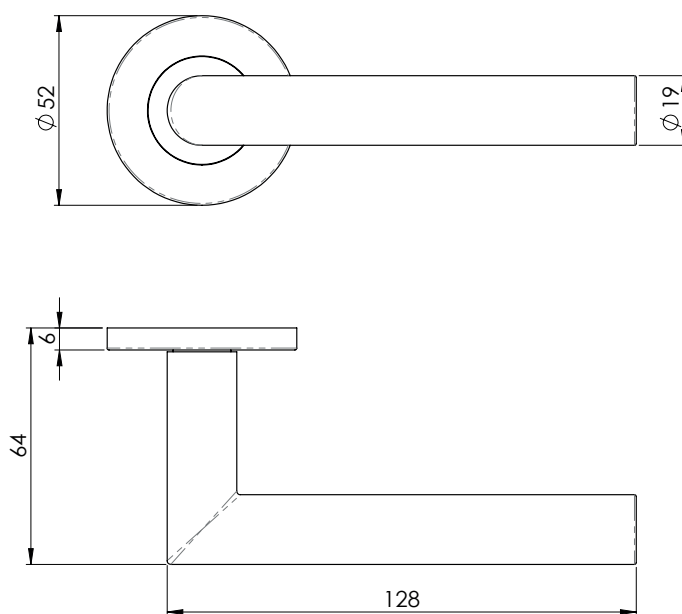
Safety Lever on Slim Fit Rose  
Sprung 201 Inner



**CSL1192/6SSS**

**TREVIRI**

Mitred Lever on Slim Fit Rose  
Sprung 201 Inner

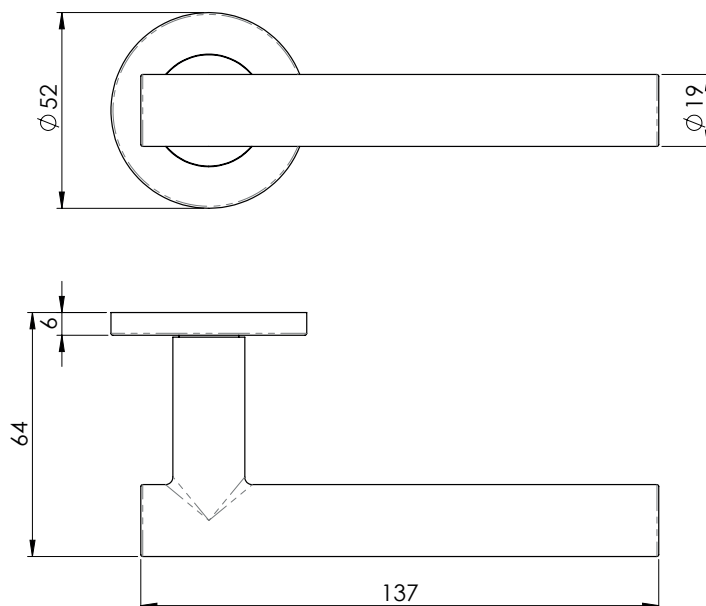


**CSL1194/6SSS**

**PHILADELPHIA**

T-Bar Lever on Slim Fit Rose

Sprung 201 Inner

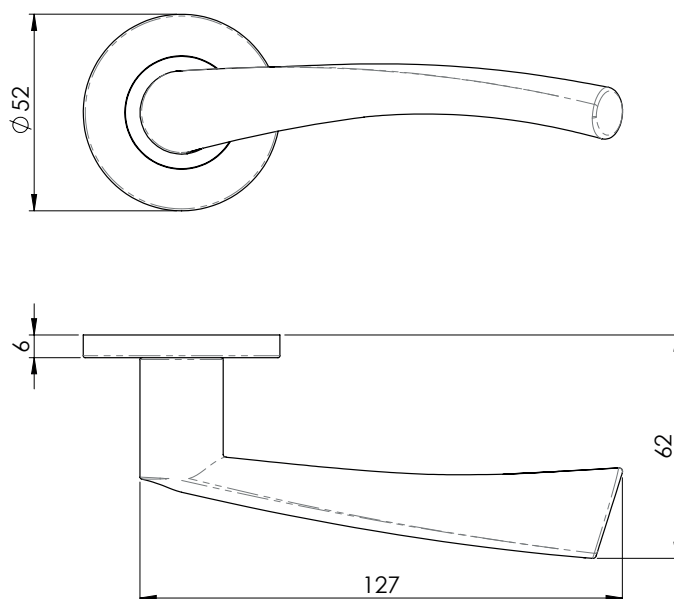


**CSL1121/6SSS**

**BREEZE**

Designer Lever on Slim Fit Rose

Sprung 201 Inner

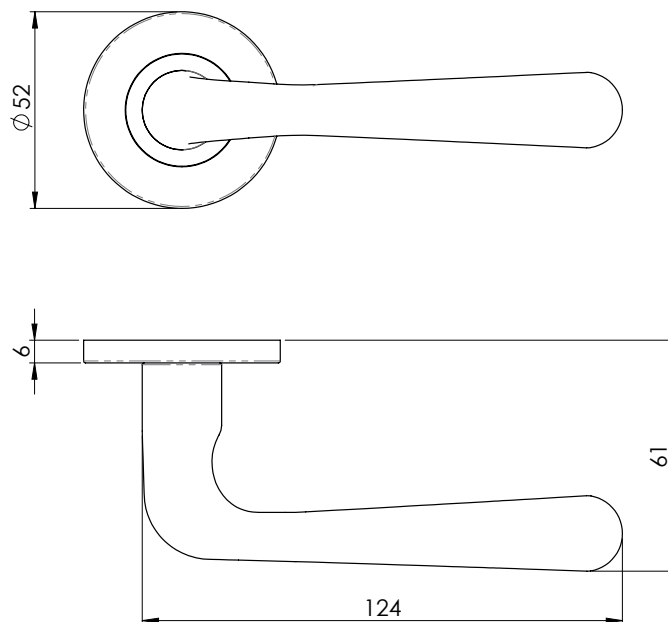




**CSL1127/6SSS**

**PENINSULA**

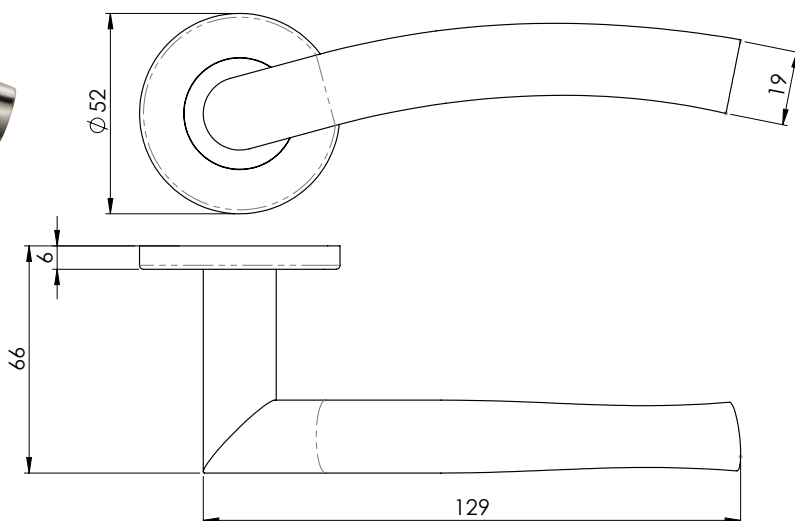
Designer Lever on Slim Fit Rose  
Sprung 201 Inner



**CSL1128/6SSS**

**METRO**

Designer Lever on Slim Fit Rose  
Sprung 201 Inner

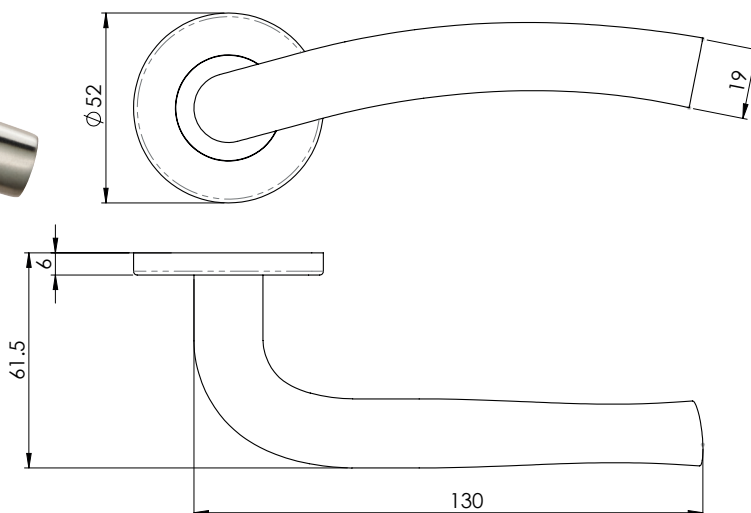


**CSL1129/6SSS**

**HALLSTATT**

Safety Lever on Slim Fit Rose

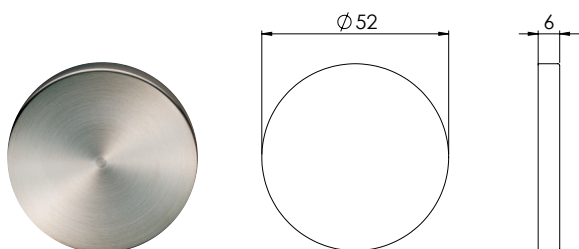
Sprung 201 Inner



**CSB1006SSS**

**BLANK ESCUTCHEON**

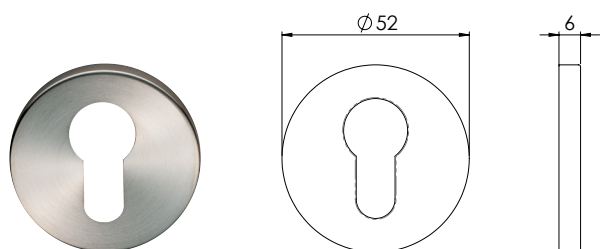
Blank Profile on 201 Inner





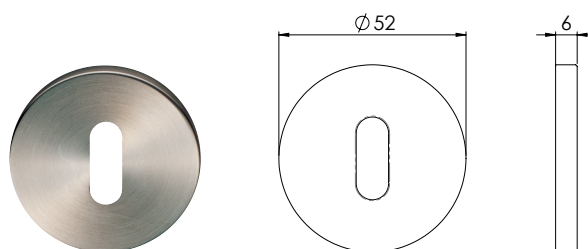
**CSE1006SSS**  
**EURO ESCUTCHEON**

Euro Profile Escutchen on 201 Inner



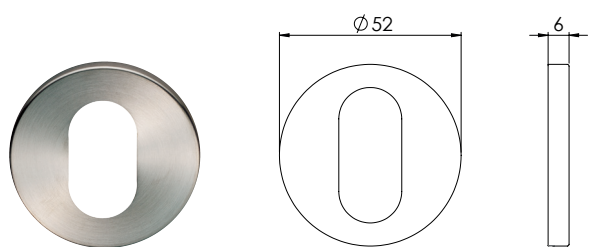
**CSP1006SSS**  
**LOCK ESCUTCHEON**

Lock Profile Escutchen on 201 Inner



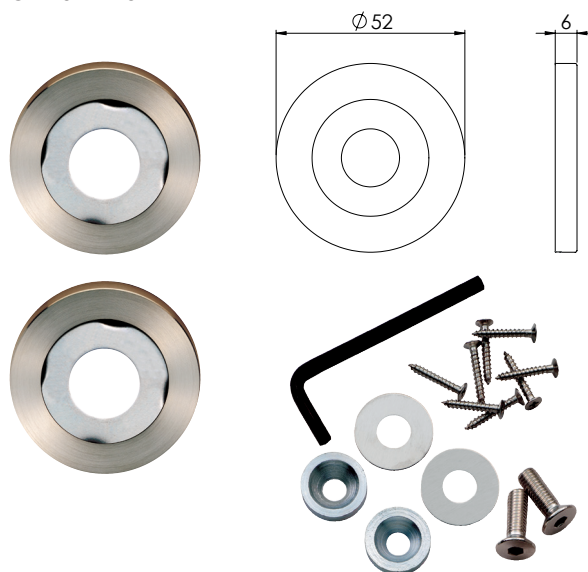
**CSU1006SSS**  
**OVAL ESCUTCHEON**

Oval Profile Escutchen on 201 Inner



**CSR1006SSS**  
**ROSE KIT**

On 201 Inner

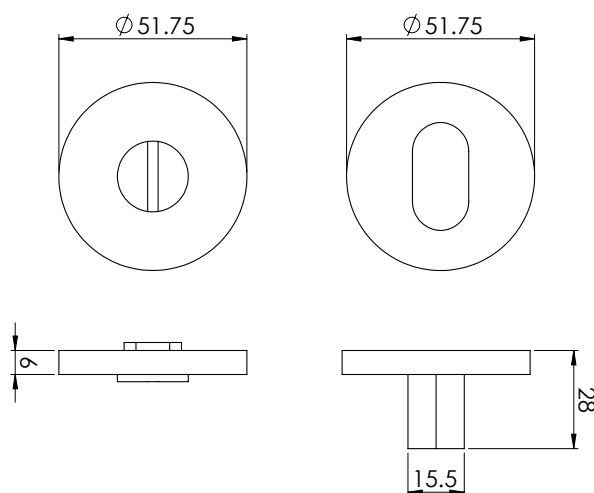


**CST1018SSS**

**WC THUMBTURN & COIN RELEASE**

On 201 Inner

Complete with Spare Non Indicator

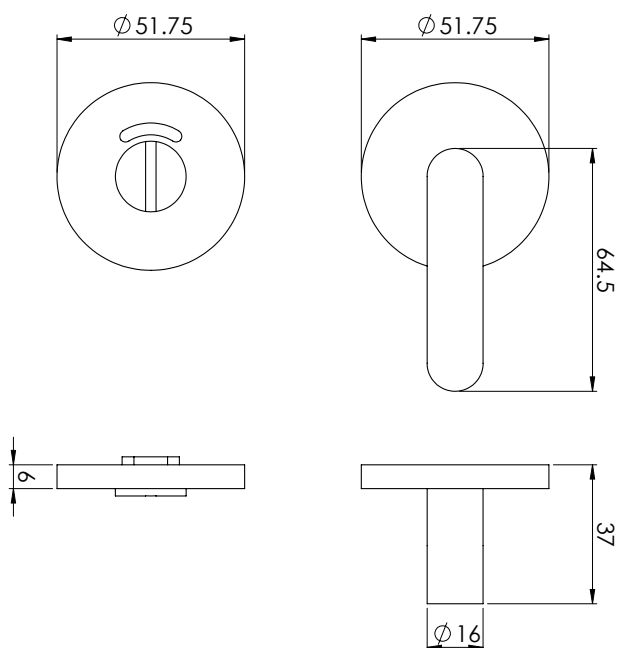


**CST1028/6SSS**

**LARGE WC THUMBTURN & COIN RELEASE**

On 201 Inner

Complete with Spare Non Indicator





# Guide to BS EN 1906:2012

## Digit 5 - Safety

Grade 0: Normal use

Grade 1: Safety application - to qualify for this grade, handles must have high strength handle-to-plate and plate-to-door fixing and/or handle-to-spindle fixing, such that they would withstand a person grabbing in order to prevent falling.

It is recommended that only Safety Grade 1 furniture is used at the top of cellar steps or other staircases.

## Digit 1 - Category of Use

Grade 1: Medium frequency of use with a high incentive to exercise care and a small chance of misuse, e.g. internal residential doors;

Grade 2: Medium frequency of use by people with some incentive to exercise care but where there is some chance of misuse e.g. internal office doors;

Grade 3: High frequency of use by public or others with little incentive to exercise care and with a high chance of misuse, e.g. public office doors

Grade 4: High frequency of use on doors which are subject to frequent violent use, e.g. football stadiums, oil rigs, barracks, public toilets, etc

## Digit 6 - Corrosion Resistance

Grade 0: No defined corrosion resistance

Grade 1: Mild resistance - minimum requirement for internal use

Grade 2: Moderate resistance

Grade 3: High resistance - minimum requirement for external use

Grade 4: Very high resistance - recommended for use in exposed marine atmospheres or very polluted industrial environments.

Note: Products intended to develop a natural patina (such as bronze or brass) are not required to comply with any requirements.

**3 7 - 1 1 4 0 B**

## Digit 2 - Durability

Grade 6: Medium use - 100,000 cycles

Grade 7: High use - 200,000 cycles

The tests undertaken to achieve these grades involve the application of additional forces to the door furniture in order to stimulate the conditions of use likely to be experienced in the field.

## Digit 3 - Test Door Mass

No requirement

## Digit 7 - Security

Grade 0: Not approved for use on burglary resistant doors

Grade 1: Mild burglary resistance

Grade 2: Moderate burglary resistance

Grade 3: High burglary resistance

Grade 4: Extra high burglary resistance

Note: The main requirements include resistance to drilling, close fitting plates or escutcheons to help protect the lock and support the cylinder. They must be resistant to removal from the outside of the door and make provision to minimise the cylinder projection to a maximum of 3mm. Full details of the requirements can be found in BS EN 1906.

## Digit 4 - Fire Resistance

Grade 0: Not approved for use on fire/smoke door assemblies.

Grade 1: Suitable for use on fire/smoke door assemblies.

Note: A Grade 1 classification means only that the furniture has been designed for use on fire/smoke control doors; the actual fire performance achieved (e.g. fire integrity of 30 minutes on a partially glazed timber door etc.) will be contained in a separate fire test report.

## Digit 8 - Type of operation

Type A: Spring assisted furniture

Type B: Spring loaded furniture

Type U: Unsprung furniture





CSL1128/6SSS

## Care of Finishes

Stainless steel needs to be cleaned for aesthetic considerations and to preserve corrosion resistance. Stainless steel is protected by a thin layer of chromium oxide.

Oxygen from the atmosphere combines with chromium in stainless steel to form a passive chromium oxide film that protects from further corrosion. Any contamination of the surface by dirt or other material hinders this passivation process and traps corrosive agents, reducing corrosion protection. Thus some form of routine cleaning is necessary to preserve the appearance and integrity of the surface.

They actually thrive with frequent cleaning and, unlike some other materials, it is impossible to 'wear out' stainless steel by excessive cleaning. Stainless steel performs best when clean - cleanliness is essential for maximum resistance to corrosion.

Stainless steel products should be wiped over with a clean cloth and warm water with a mild detergent on a frequent basis. For more stubborn dirt or stains use mild, non-abrasive powders such as typical household cleaners. These can be used with warm water, soft nylon bristle brushes, sponges or clean cloths.

For more aggressive cleaning a small amount of vinegar can be added to the powder. Carbon steel brushes should be avoided as they may leave particles embedded in the surface, which can lead to rusting. Cleaning should always be immediately followed by rinsing in clean hot water and the surface then wiped completely with a dry towel.

The maximum recommendation for routine cleaning is once a month and more often in areas subject to heavy soiling or frequent use.

☎ 01228 511 030  
📞 01228 511 885  
✉ Parkhouse Road, Carlisle, CA3 0JU  
@ enquiries@carlislebrass.com  
🌐 www.carlislebrass.com

