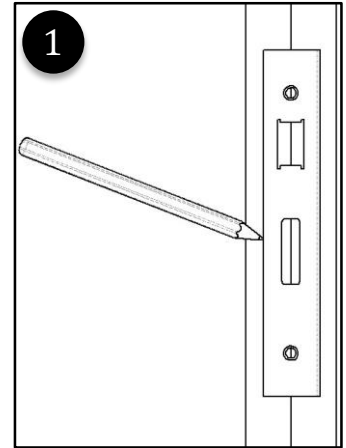


## Fitting Rebate Set

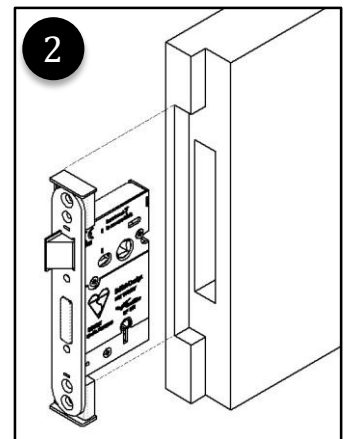
1. Place the loose faceplate central over the door rebate and mark around the leading edge of the door and chisel out and down to the depth of the door rebate (i.e. 1/2" or 1").

Refer to the instructions **2, 3 and 5** in the [Fitting Architectural Locks](#) Document on the website regarding the mortising, to the required depth into the door ensuring that the loose forend is flush with the leading (outside) edge of the door.



2. Insert the lock with the rebate adapter (short), aligned around the fixed forend, if needed mark around the rebate adapter and chisel out the additional wood to allow the rebate adapter to sit flat against the bottom of the door rebate.

Refit the lock, inserting the rebate adapter and loose face plates over and secure into position.



3. Determine the position of the striker on the opposing door as described under **7 and 8** in the [Fitting Architectural Locks](#) Document on the website and mortice/chisel out for the striker. Cut out the excess wood to allow for the rebate adapter surround to fit over the striker.

