



EUROSPEC

EASI-T HORIZONTAL LOCKS



FEATURES AND BENEFITS OVERVIEW

- Fully accredited range:
 - CE marked and Performance tested.
 - 2KN end load and 3KN side load on dead bolt, 200,000 cycles, 25N load on latchbolt.
 - Fire tested (FD30 and FD60 performance).
- Matching 13mm rebate set available.
- 2-piece faceplates for easy interchange of finishes.
- Easi-T range reversible latch system.
- Available keyed alike (same as Universal sashlock range).
- Retrofit with existing locks on the market.
- Manufactured in-house by Carlisle Brass.
- Suitable for most Carlisle Brass ranges of knobsets and accessories.
- Carries a 10 year Mechanical Guarantee.

FINISHES AVAILABLE

- PVD - Stainless Brass
- BSS - Bright Stainless Steel
- SSS - Satin Stainless Steel
- DB - Dark Bronze
- BN - Black Nickel

SUITABLE ENVIRONMENTS FOR USE

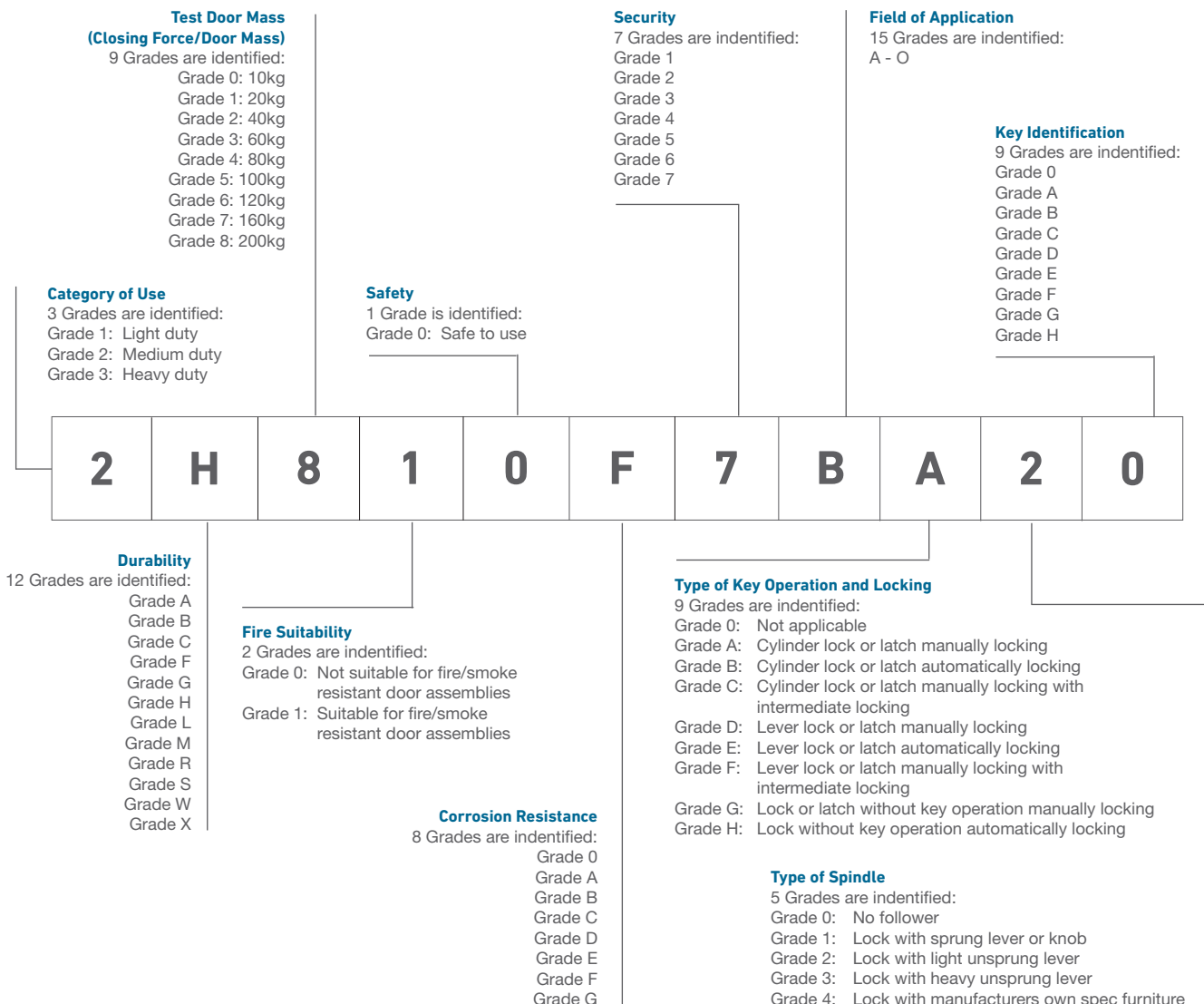
- Domestic
- Commercial

CE TESTING CERTIFICATION NO: 1121-CPR-AG 5158

BS EN 12209 EXPLAINED

BS EN 12209:2003 is the European standard covering mechanically operated locks, latches and locking plates.

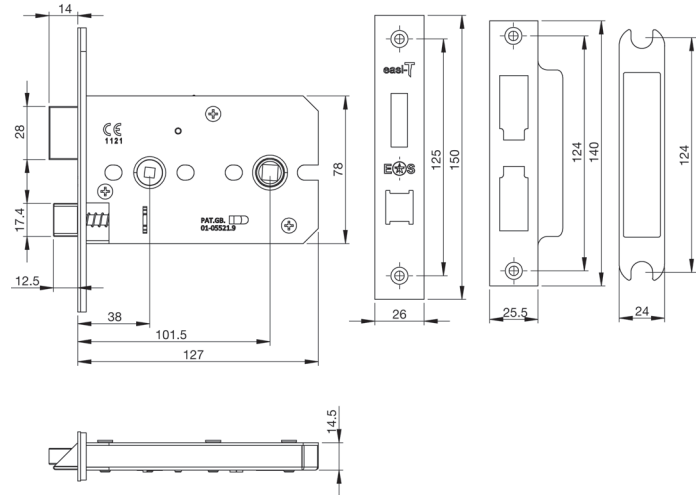
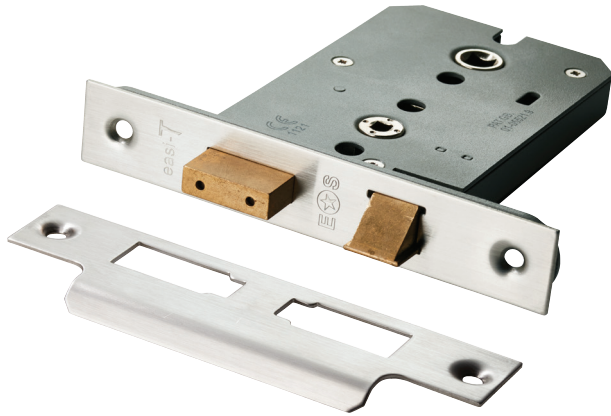
This standard covers requirements and test methods for all types of mechanical lock or latch (including associated or separately supplied locking plates), intended for use on pedestrian doors in buildings but excludes electro-mechanically operated locks and striking plates, multi-point locks and their locking plates, locks for windows, padlocks, locks for safes, furniture locks and prison locks.



BHSS5050 BATHROOM LOCK

Dimensions:
Lock Body: 127 mm
Rebate: 0.5" ARH5105

Complete with:
FSF5033/R Radius Fixing Pack (or)
FSF5033 Square Fixing Pack



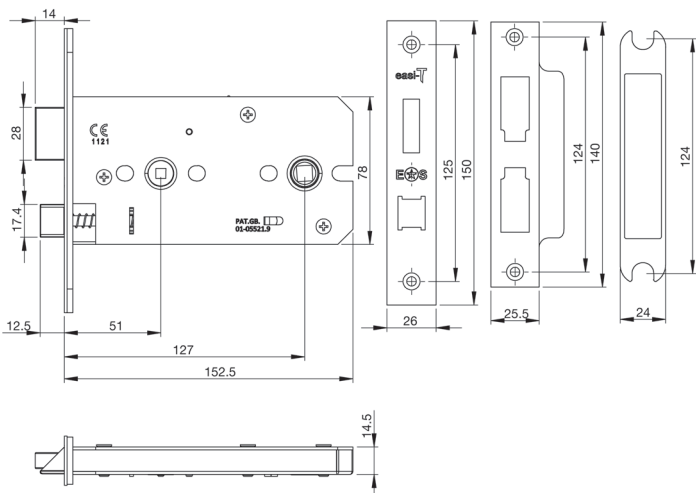
EN 12209:2003										
2	M	8	1	0	F	-	B	G	2	0



BHSS5060 BATHROOM LOCK

Dimensions:
Lock Body: 152 mm
Rebate: 0.5" ARH5105

Complete with:
FSF5033/R Radius Fixing Pack (or)
FSF5033 Square Fixing Pack



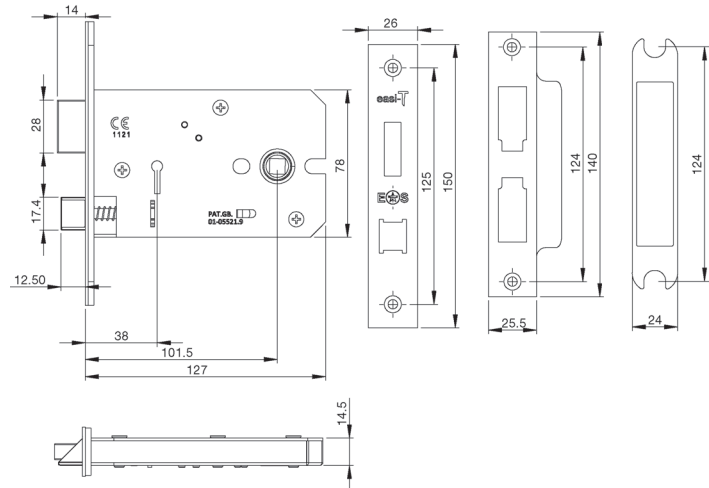
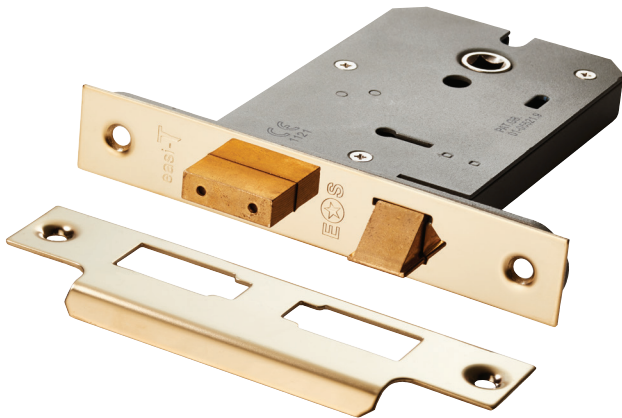
EN 12209:2003										
2	M	8	1	0	F	-	B	G	2	0



LHSS5350 3 LEVER SASH LOCK

Dimensions:
Lock Body: 127 mm
Rebate: 0.5" ARH5105

Complete with:
FSF5033/R Radius Fixing Pack (or)
FSF5033 Square Fixing Pack



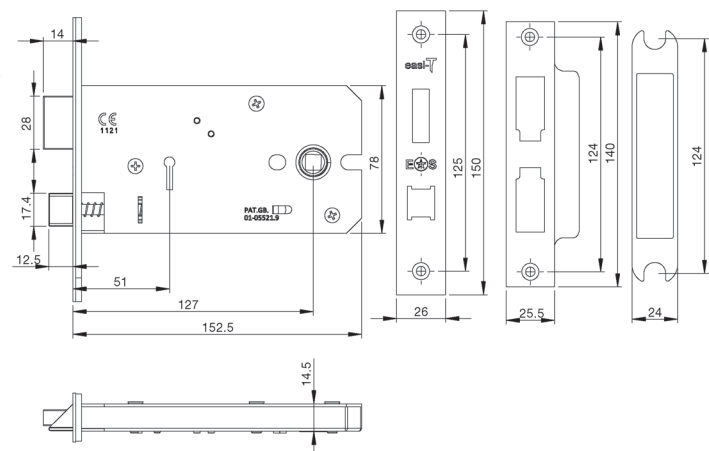
EN 12209:2003										
2	M	8	1	0	F	2	K	D	2	0



LHSS5360 3 LEVER SASH LOCK

Dimensions:
Lock Body: 152 mm
Rebate: 0.5" ARH5105

Complete with:
FSF5033/R Radius Fixing Pack (or)
FSF5033 Square Fixing Pack



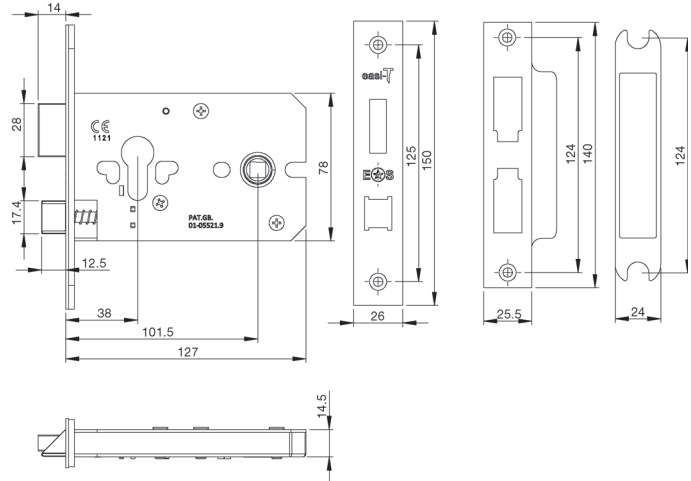
EN 12209:2003										
2	M	8	1	0	F	2	K	D	2	0



EHSS5050 EURO SASH LOCK

Dimensions:
Lock Body: 127 mm
Rebate: 0.5" ARH5105

Complete with:
FSF5033/R Radius Fixing Pack (or)
FSF5033 Square Fixing Pack



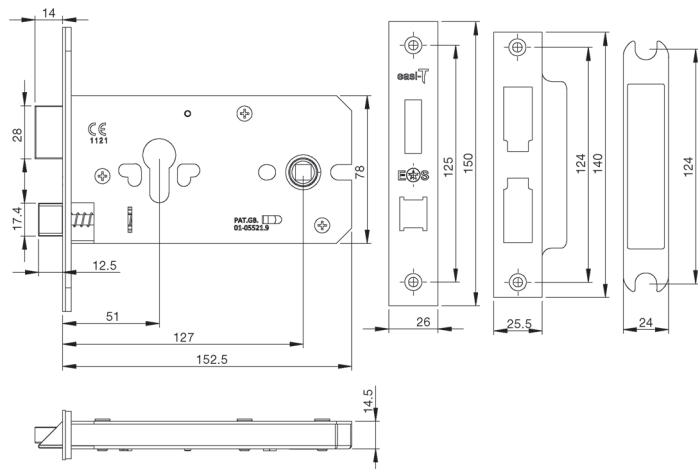
EN 12209:2003										
2	M	8	1	0	F	2	B	A	2	0



EHSS5060 EURO SASH LOCK

Dimensions:
Lock Body: 152 mm
Rebate: 0.5" ARH5105

Complete with:
FSF5033/R Radius Fixing Pack
FSF5033 Square Fixing Pack



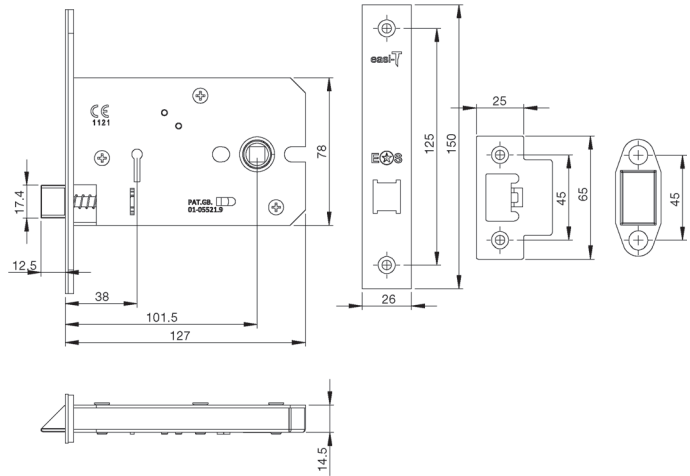
EN 12209:2003										
2	M	8	1	0	F	2	B	A	2	0



UHLS5050 HORIZONTAL LATCH

Dimensions:
Lock Body: 127 mm
Rebate: 0.5" ARH5105

Complete with:
FSF5034/R Radius Fixing Pack (or)
FSF5034 Square Fixing Pack



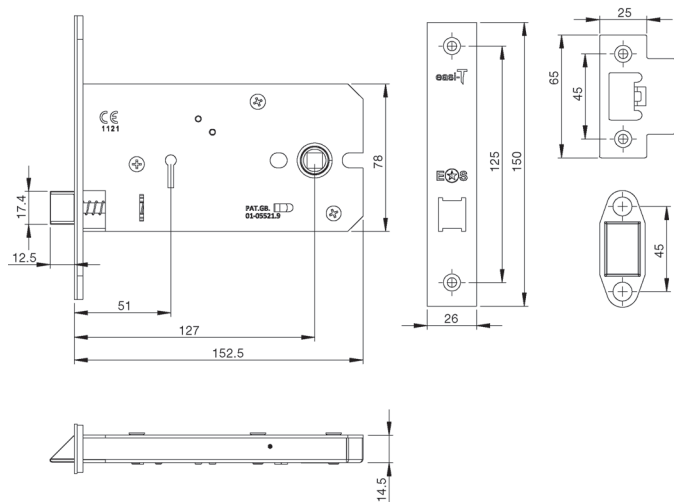
EN 12209:2003										
2	M	8	1	0	F	2	B	0	2	0



UHLS5060 HORIZONTAL LATCH

Dimensions:
Lock Body: 152 mm
Rebate: 0.5" ARH5105

Complete with:
FSF5034/R Radius Fixing Pack (or)
FSF5034 Square Fixing Pack



EN 12209:2003										
2	M	8	1	0	F	2	B	0	2	0



The Easi-T Horizontal Lock range has been designed with complete versatility in mind.

The locks are available in a wide choice of finishes that can be successfully partnered with the majority of our selection of different knobsets and accessories, regardless of the size of the round rose backplate (examples pictured here).

STEELWORX® STAINLESS STEEL

Eurospec Contemporary Stainless Steel Knobsets and Accessories



DELAMAIN

Delamain Brass, Ice Crystal and Porcelain Knobsets and Accessories



100% ITALIAN MANUFACTURE

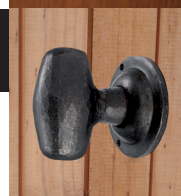


Manital Brass Italian Knobsets and Accessories

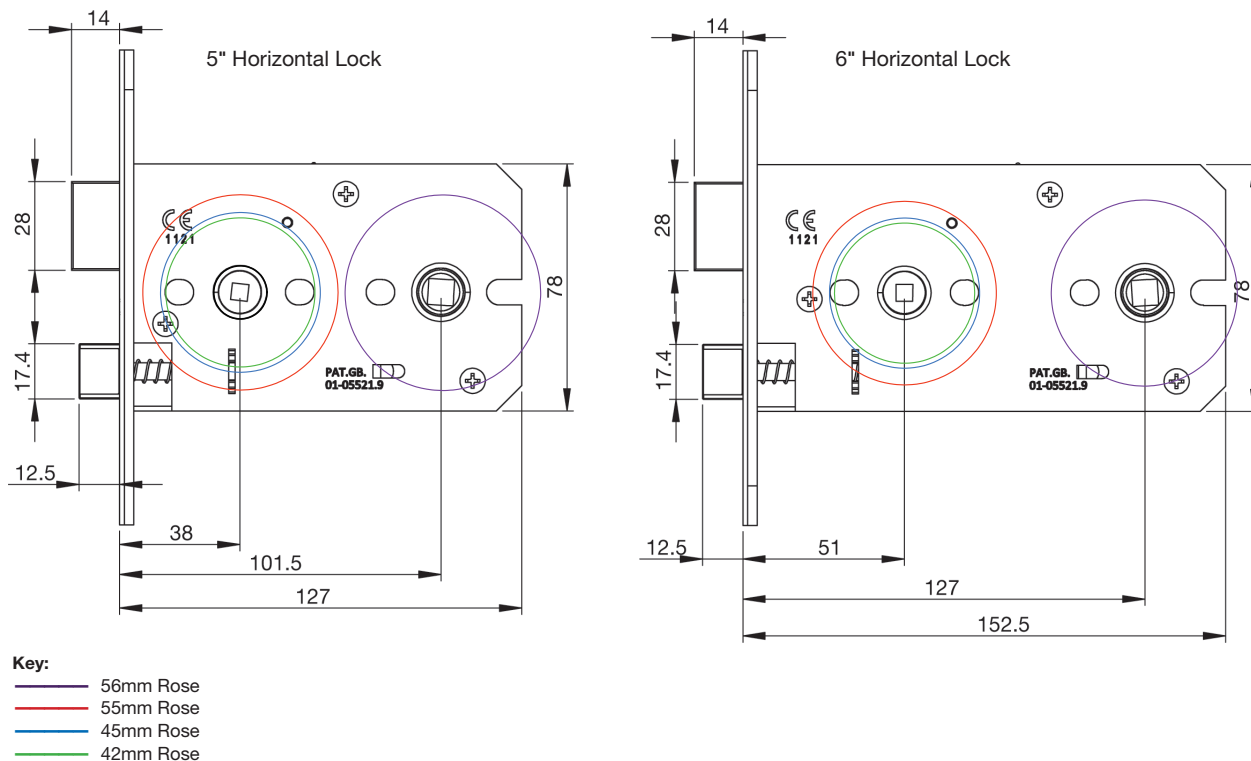


LUDLOW BLACK ANTIQUE

Ludlow Black Antique and Hand Forged Beeswax Knobsets and Accessories



Please refer to template below when specifying Knobset and Accessories for 5" and 6" Horizontal Locks to ensure compatibility.





Carlisle Brass Ltd. Parkhouse Road, Carlisle, Cumbria, CA3 0JU
Sales: 01228 511030 Email: sales@carlislebrass.com Web: www.carlislebrass.com
Eurospec Cylinder Shop
Phone: 01254 274140 Fax: 01254 274113 Email: workshop@carlislebrass.com