

EUROSPEC

EASI-T RESIDENTIAL LOCK RANGE





LSE5325SN



Cover Illustration
LSE5330SN



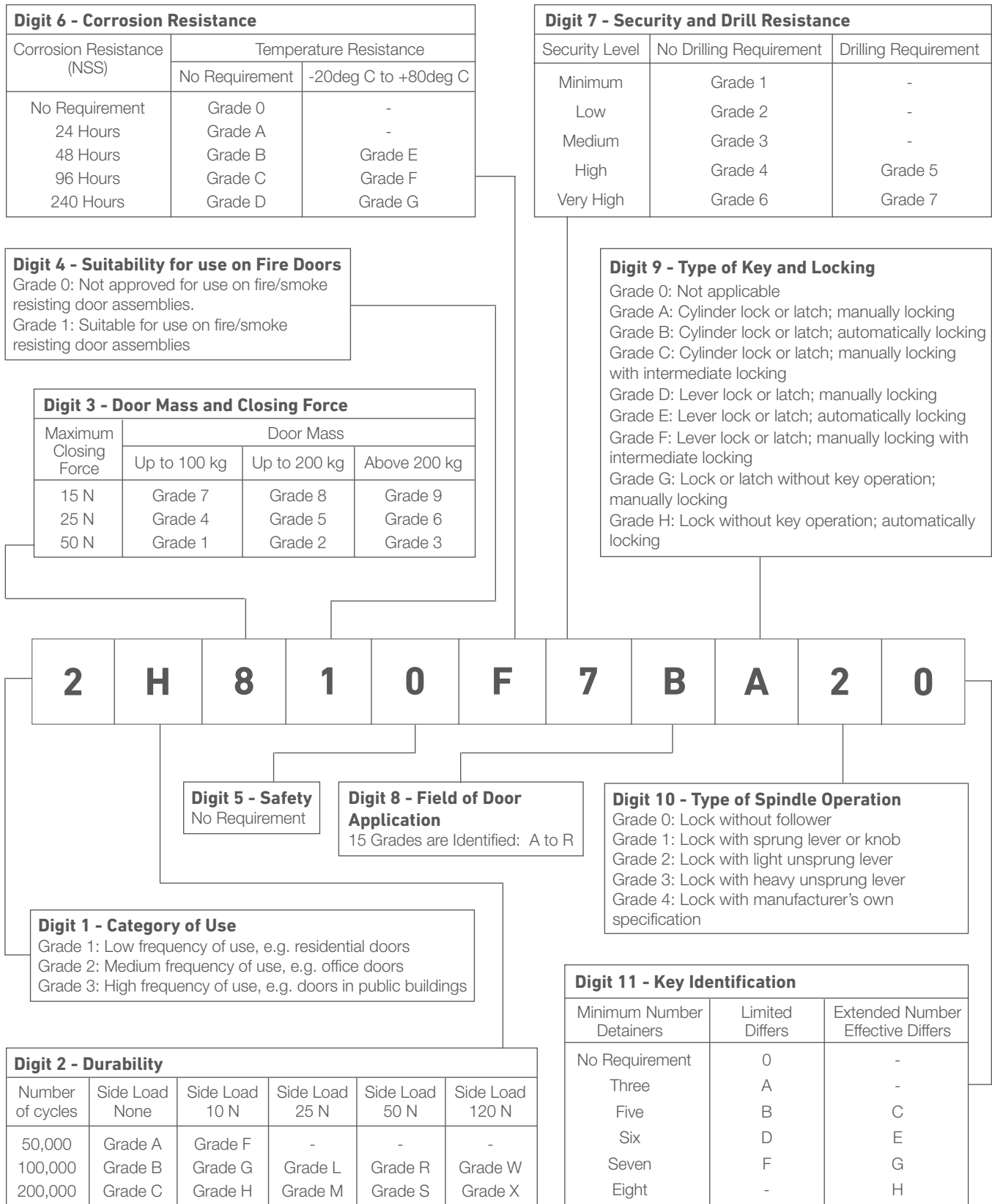
New Features

- New key design for simple cutting.
- Plastic dust boxes now supplied throughout the range.
- Satin Nickel (SN) finish added to the range to suite Satin Nickel (SN) and Satin Stainless Steel (SSS) furniture.

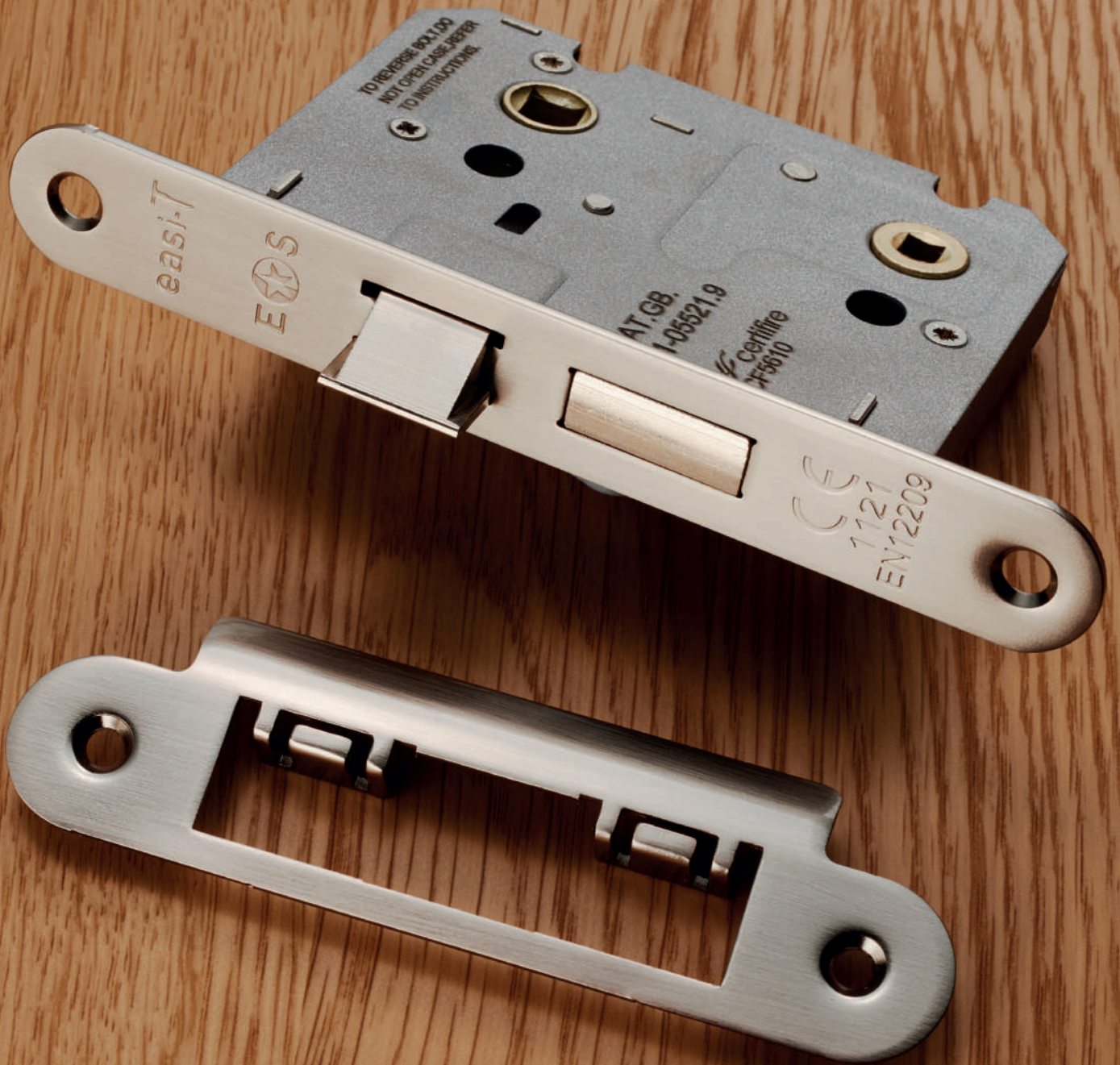


Guide to BS EN 12209:2003

BS EN 12209:2003 is the European standard covering mechanically operated locks, latches and locking plates. This standard covers requirements and test methods for all types of mechanical lock or latch, including associated or separately supplied locking plates.



Note: This applies only to lever locks: cylinders are assessed to BS EN 1303:2015



Contents

ESE5025	Page 6
ESE5030	Page 6
EDE5025	Page 6
EDE5025	Page 6
BAE5025	Page 7
BAE5030	Page 7
BAE5025/R	Page 7
BAE5030/R	Page 7
ULE5025	Page 7
ULE5030	Page 7
ULE5025/R	Page 7
ULE5030/R	Page 7
LDE5325	Page 8
LDE5330	Page 8
LSE5225REB	Page 8
LSE5325	Page 8
LSE5330	Page 8
LSE5325/R	Page 8
LSE5330/R	Page 8

LSE5325SN



Eurospec Easi-T Residential Lock Range

Eurospec is an accredited product range, tested to the most stringent industry regulations, providing reassurance in quality and standard.

- ❖ New key design for simple cutting.
- ❖ Plastic dust boxes now supplied throughout the range.
- ❖ Universal striker design available to suit the complete sashlock range.
- ❖ Offered in 3 finishes: Electro Brass (EB), Polished Nickel (NP) and Satin Nickel (SN).
- ❖ Latches and deadbolts available in finishes to match the faceplates and strikers.
- ❖ Suitable for 30 and 60 minute fire doors.
- ❖ 10 year mechanical guarantee.



Electro Brass



Nickel Plated



Satin Nickel

Key to Symbols



Suitable for use in residential environments.



10 Year Mechanical Guarantee.



Suitable for use on timber-based fire door assemblies of 30 and 60 minute integrity.



BS EN 12209:2003 is the British/European standard requirements and testing methods covering locks, latches and locking plates.



CE Marking is certification to the highest levels of attestation required by the Construction Products Directive. The CE Mark indicates that the product has been successfully 3rd party performance/fire tested and that the producing factory has passed stringent Factory Production audits, carried out by a UKAS notified certification.



APPROVED PRODUCT
CF5610

Certifire is an independent 3rd party scheme providing high quality, voluntary, product conformity for the passive fire sector. Certifire is product certification at a higher level than CE. Additional requirements are ISO:9001:2015 certification, independent audit testing and a comprehensive field of application document based on carefully chosen tests. Designed to give confidence to specifiers, enforcement authorities and building owners/occupiers, the Certifire scheme is recognised by regulatory authorities both in the UK and overseas.

Easi-T Residential Locks



ESE5025
ESE5030

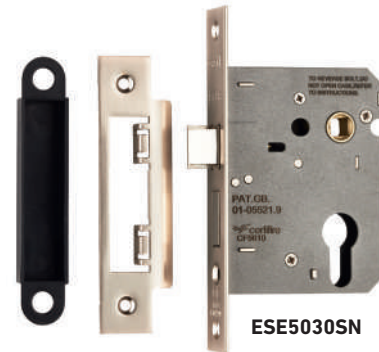
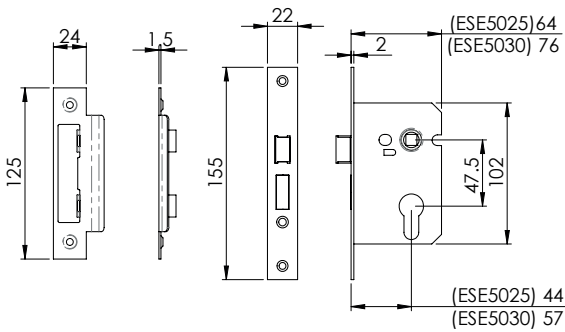
Euro Profile Sashlock



Also available

ARE5005 13mm Rebate Kit

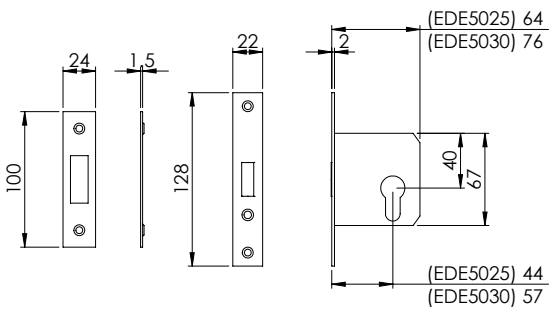
ES1276 Intumescent Lock Pack



EN 12209:2003										
2	H	8	1	0	F	1	B	A	2	0

EDE5025
EDE5030

Euro Profile Deadlock



EN 12209:2003										
2	H	8	1	0	F	1	B	A	0	0

Easi-T Residential Locks



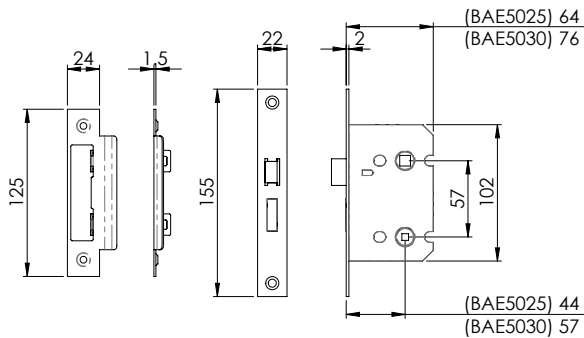
BAE5025
BAE5030
Bathroom Lock



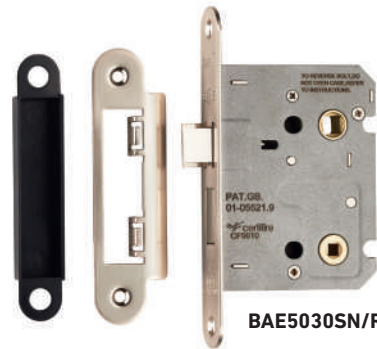
BAE5025/R
BAE5030/R
Radius

Also available

ARE5005 13mm Rebate Kit
ES1276 Intumescent Lock Pack



BAE5025NP



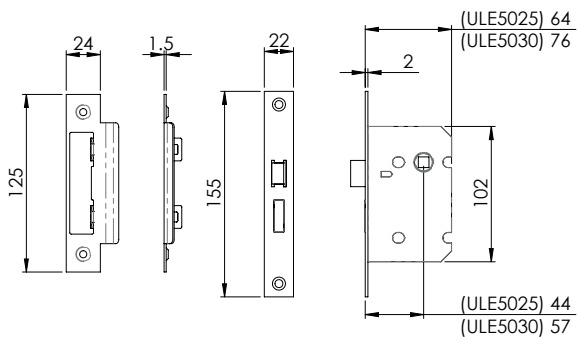
BAE5030SN/R

EN 12209:2003										
2	H	8	1	0	F	-	B	G	2	0

ULE5025
ULE5030
Upright Latch



ULE5025/R
Radius



ULE5030NP

EN 12209:2003										
2	H	8	1	0	F	-	B	0	2	0

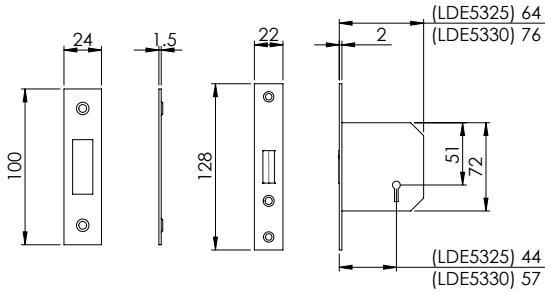
Easi-T Residential Locks



LDE5325
LDE5330
3 Lever Deadlock

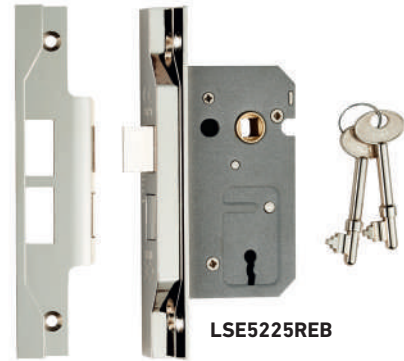
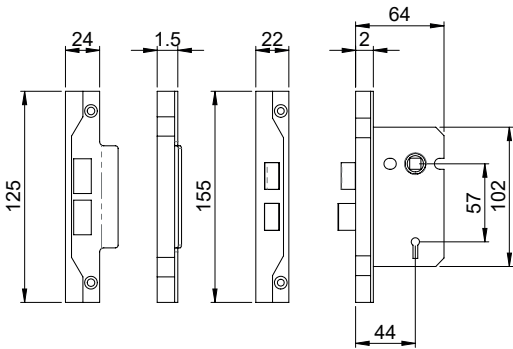


Also available
AKE5000C
3 Lever
Key Blank



EN 12209:2003										
2	H	8	1	0	F	1	K	D	0	A

LSE5225REB
2 Lever Sashlock



EN 12209:2003										
2	H	8	1	0	F	1	K	D	2	0

LSE5325
LSE5330
3 Lever Sashlock



Also available
ARE5005
13mm

LSE5325/R
Radius

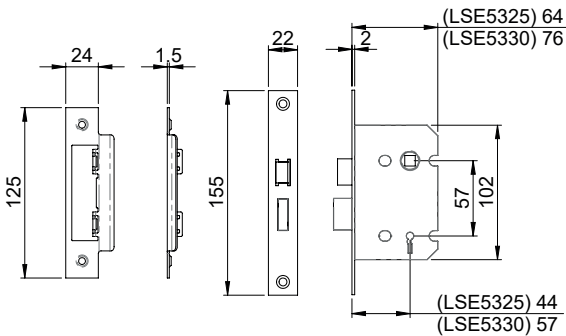


Rebate Kit

LSE5330/R
Radius

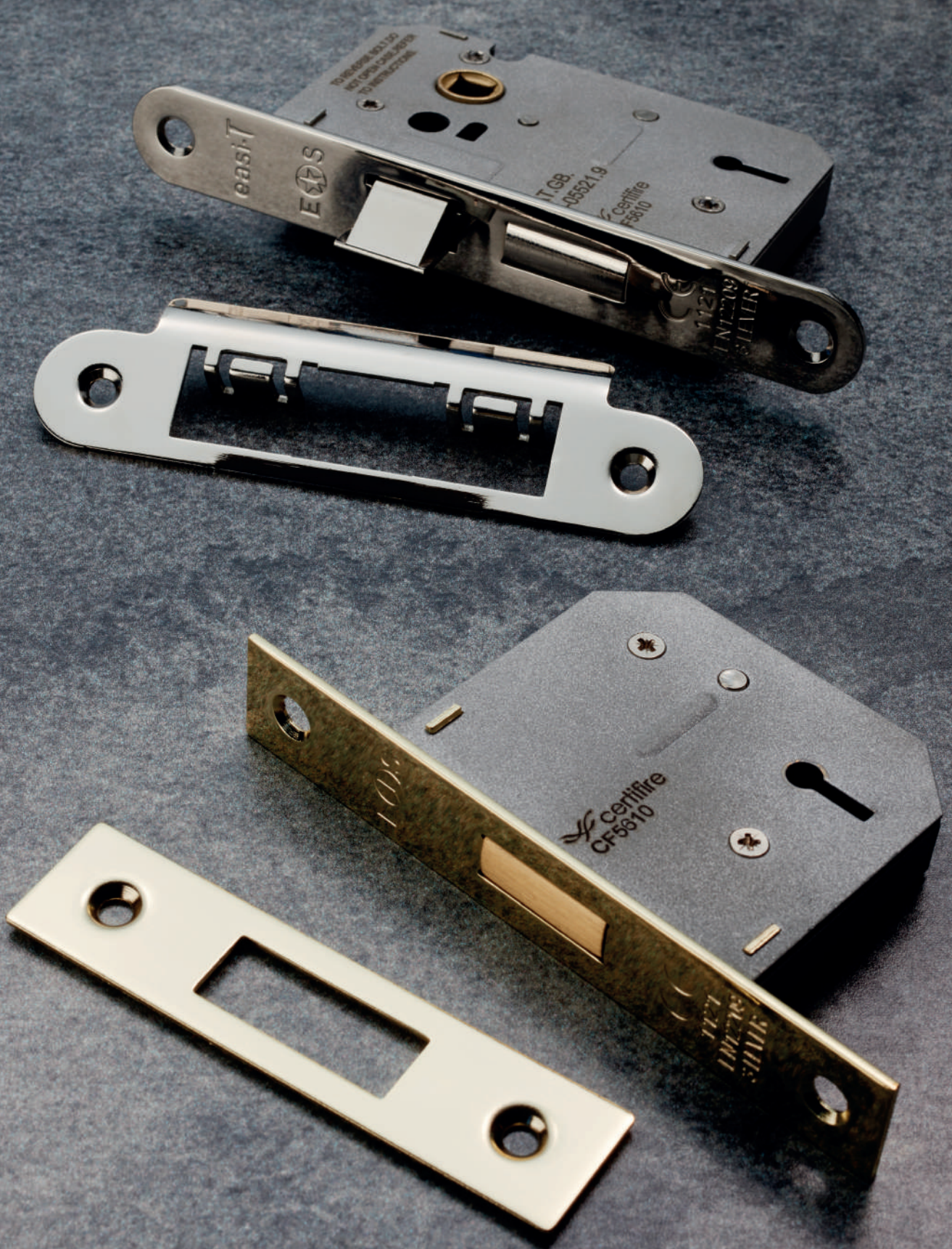


ES1276
Intumescent
Lock Pack



EN 12209:2003										
2	H	8	1	0	F	1	K	D	2	A

LSE5325NP/R
& LDE5325EB



☎ 01228 511 030
📞 01228 511 885
✉ Parkhouse Road, Carlisle, CA3 0JU
@ enquiries@carlislebrass.com
🌐 www.carlislebrass.com

