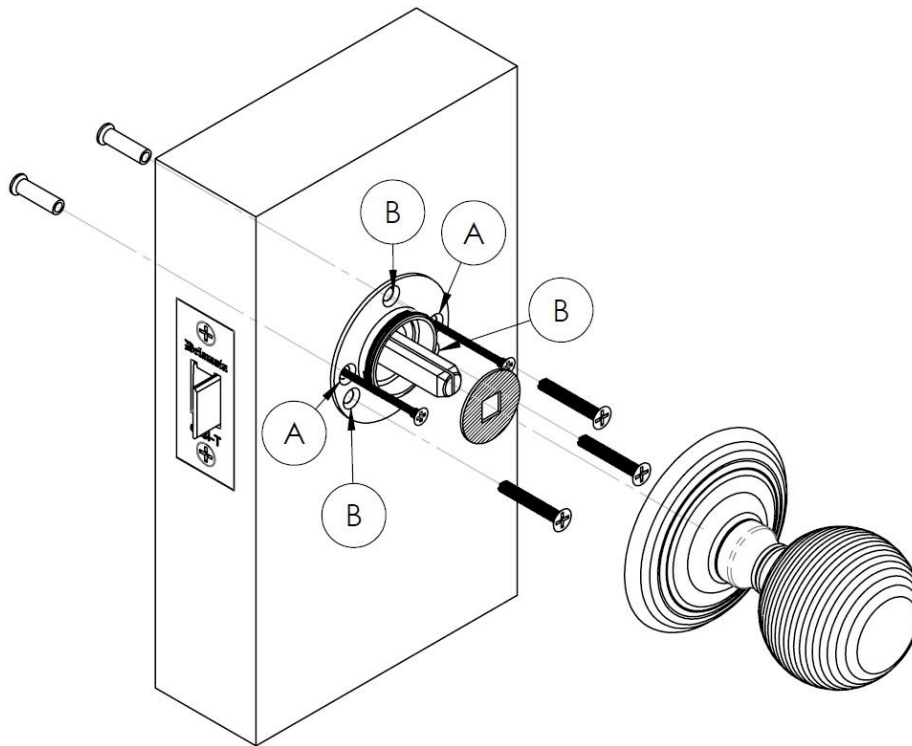


Door Knob (Concealed Fix) Fitting Instructions



1. Insert 8mm square spindle through the latch so it protrudes equally on both sides of the door.
2. Position inner fixing roses and plastic locating washers over each end of the spindle and push them down on to the face of the door.
3. If using bolt through fixings, ensure that countersunk holes 'A' are lined up by drilling through the door.
4. If face fixing, pilot the countersunk holes marked 'B' and fix screws to door with screws provided. N.B. Door thicknesses can vary, ensure that screws do not foul the latching mechanism when tightened.
5. Carefully locate the furniture from both sides of the door on to the spindle and over the fixing rose and screw it clockwise until tight against the face of the door.