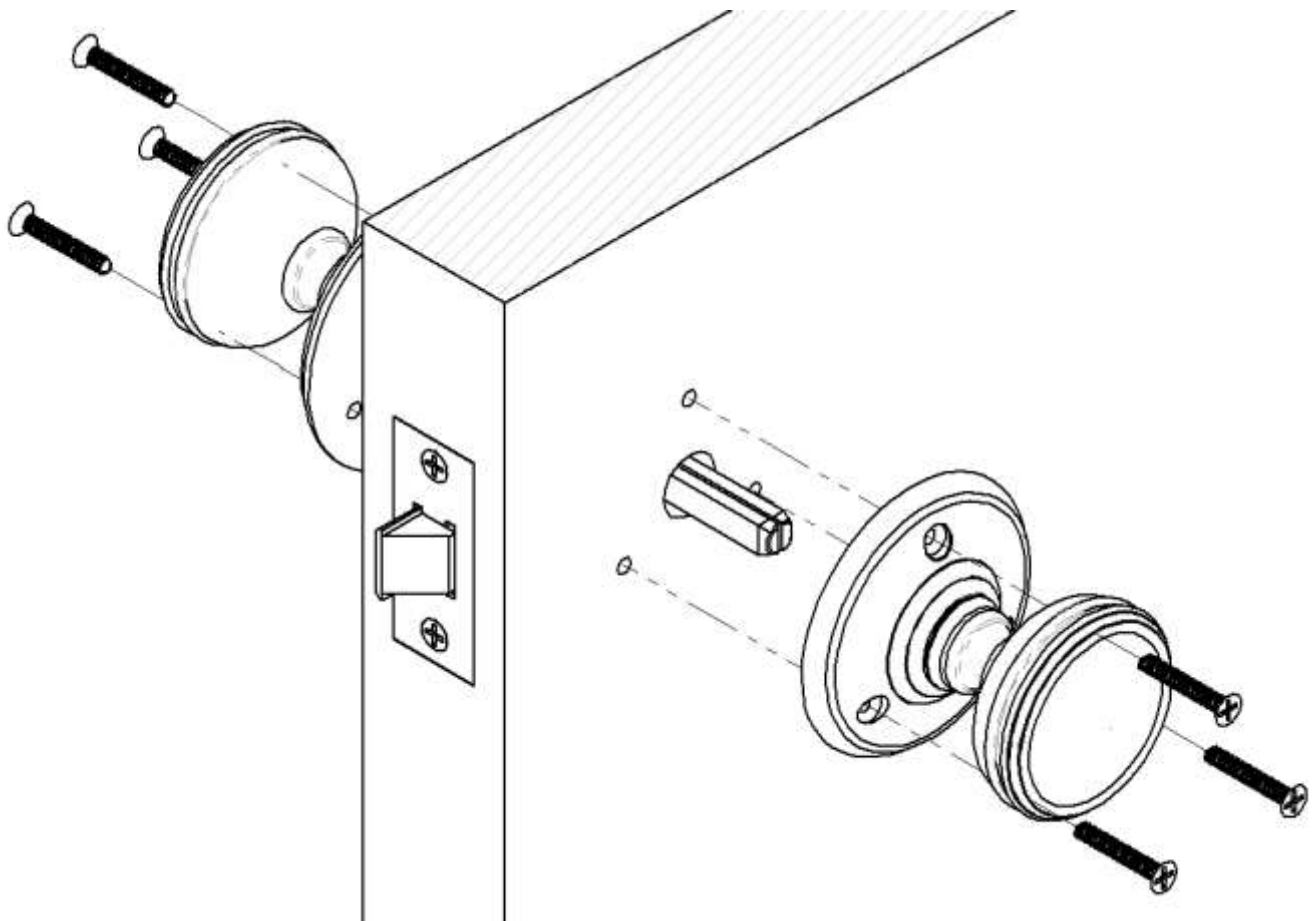


Delamain Knobs Fitting Instructions



1. Locate the mortice knob on to the spindle bar each side of the door.
2. Mark screw holes with a bradawl/pencil.
3. Drill pilot holes for wood screws.
4. Fit knob locating spindle through the square follower in the door lock/latch ensuring enough projection of spindle on either side.
5. Tighten grub screws where applicable to secure spindle.
6. Screw wood screws in place when aligned.