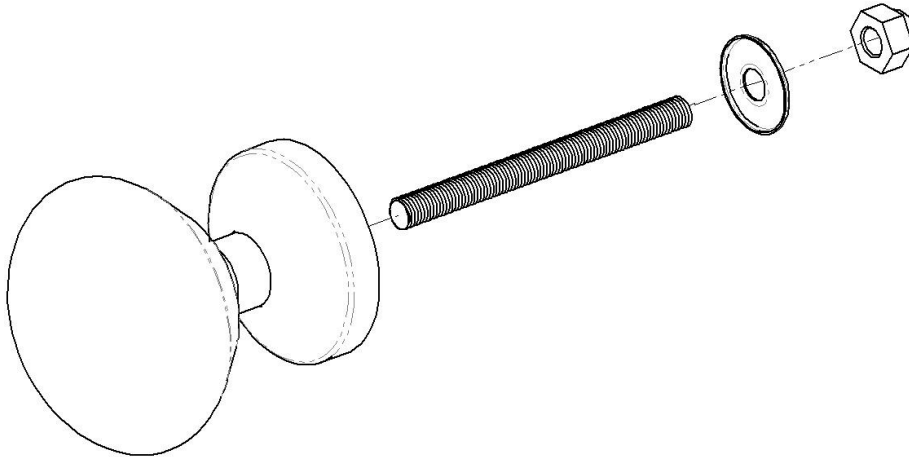
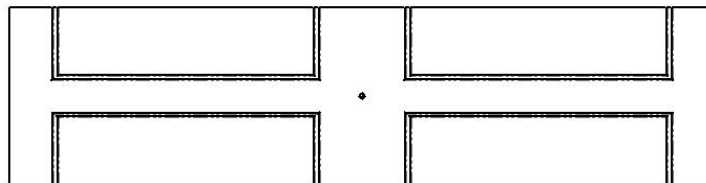


Centre Door Knob Fitting Instructions



1. Mark a point on the door with a pencil for the Centre Door Knob to be situated.
2. Drill an 8mm hole through the door at the marked point.



3. Screw the supplied bolt onto the Knob.
4. Insert the product through the door.
5. Once the security spike touches the door, ensure that the product is lined up properly and gently apply pressure to the product.
6. Once an indentation has appeared on the door, stop applying pressure.
7. Put the supplied washer and nut on the other side of the door and use the appropriate spanner size to screw the nut to the door. Ensure the product is straight in this process.
8. Make sure part is secure before intended function.