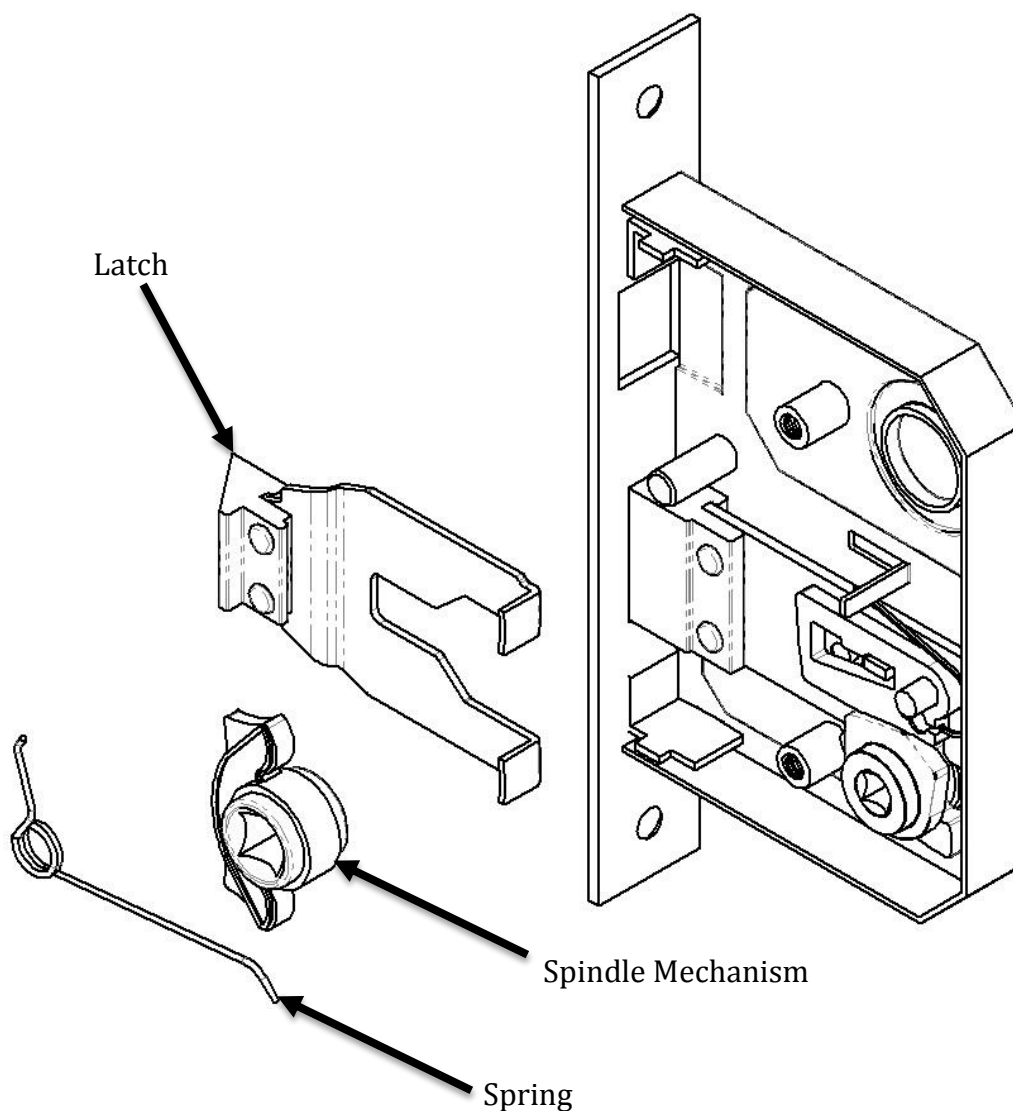


Bathroom Lock Reversal Instructions

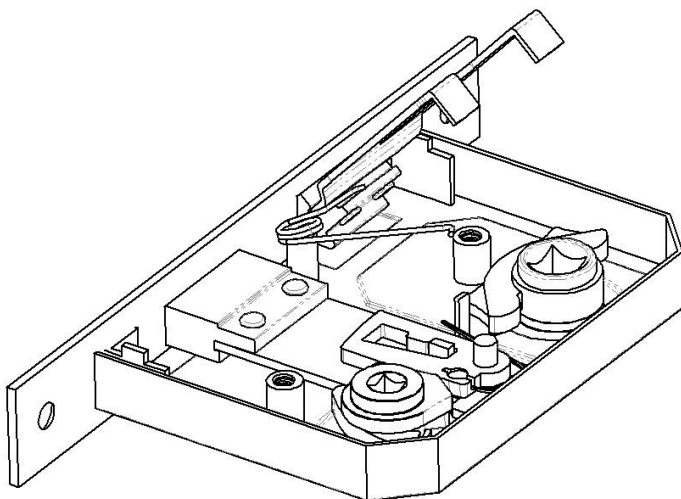
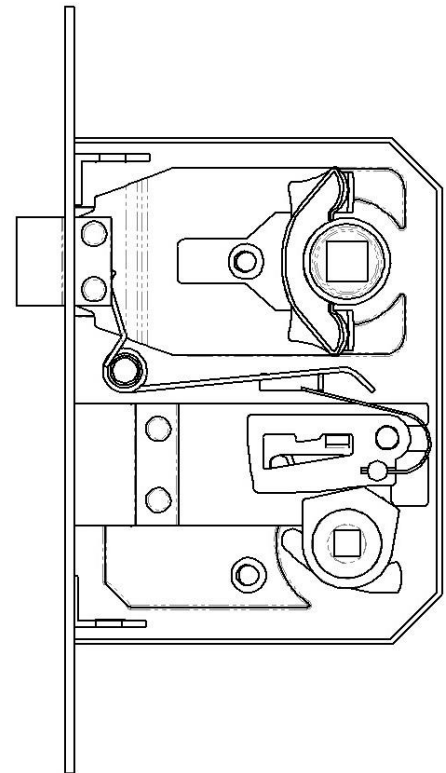
Pre-Disassembly Notes

- Caution must be taken care when disassembling parts, incorrectly disassembly parts can cause physical injury.



Bathroom Lock Reversal Instructions

1. Lay the Bathroom Lock on its side and remove the two case screws using a Phillips Screwdriver.
2. Remove the front case plate carefully as to not disrupt the lock mechanism.
Note. We advise you take a moment to familiar yourself with the internal workings of the Bathroom Lock before disassembly.
3. Using a Slotted Screwdriver or similar device with a thin head, remove the spring from behind the latch and lift it out of the case.
4. Remove the spindle mechanism and slide the latch out of the case.
5. Insert the spindle mechanism into the case.



6. Flip the latch to the preferred direction and re-insert it into the case.
Allow enough space for the spring to be placed into the slot behind the latch as the latch is inserted.
7. Insert the latch fully and screw the front case plate back onto the case.