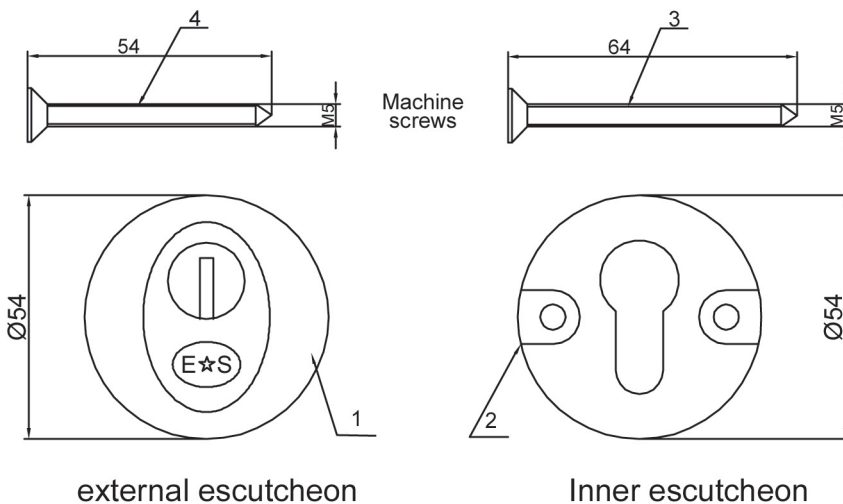


INSTALLATION INSTRUCTIONS FOR AEB5000 SECURITY ESCUTCHEON SET



Fitted with Cylinder & Turn

1. Ensure the lock case is fitted centrally and square in the door with screws fully tightened.
2. Place inner escutcheon over the cylinder at the key side and slide to the turn end. Fit cylinder into lock case which should fit easily and smoothly into the Euro profile cut out
3. Select appropriate size harden machine screw for the thickness of door -Tighten machine screw.
4. Check for correct operation of key and turn which should work normally at this stage
5. Offer escutcheon up to inner face of door and mark centrally through both bolt holes.
6. Remove cylinder screw, remove cylinder from lock case and remove inner escutcheon.
7. Re-fit cylinder into door without escutcheon and tighten cylinder screw.
8. Place inner escutcheon over key side of cylinder, offer up to outer face of door and mark centrally through both bolt holes.
9. Remove escutcheon, cylinder & lock and drill the 4 x 10mm holes from both sides of door.
10. Re-fit all parts ensuring the security disc is aligned correctly for cylinder type and the lugs in the outer escutcheon have some play in the 10mm holes.
11. Check for correct operation.

Fitted with Double Cylinder

1. Ensure the lock case is fitted centrally and square in the door with screws fully tightened.
2. Fit cylinder into lock case which should fit easily and smoothly into the Euro profile cut out.
3. Select appropriate size harden machine screw for the thickness of door -Tighten machine screw.
4. Check for correct operation of cylinder which should work normally from both sides of the door
5. Place inner escutcheon over cylinder and mark centrally through both bolt holes from both sides of the door.
6. Remove escutcheon, cylinder & lock and drill the 4 x 10mm holes from both sides of the door.
7. Re-fit all parts ensuring the security disc is aligned correctly for cylinder type and the lugs in the outer escutcheon have some play in the 10mm holes.