

# COMPANION

TRUSTED SINCE 1941

## SINGLE AND DUAL ZONE FRIDGE / FREEZERS

---



### OWNERS MANUAL

Part No. 1000061 / 1000062 / 1000063

## **CONTENTS**

General Information & Safety Instructions..... 3

Appliances and Accessories ..... 4

Getting Started..... 5

Operating your Fridge/Freezer..... 6

Temp Control/General Operation ..... 8

Single Zone Operation..... 9

Dual Zone Operation ..... 10

Using with Solar Panel or Generator..... 12

Tips, Maintenance & Service ..... 13

Troubleshooting ..... 14

Error Code..... 15

Specifications ..... 15

Warranty Details ..... 16

## GENERAL INFO & SAFETY INSTRUCTIONS

**Read this manual thoroughly before first use**, even if you are familiar with this type of product. The safety precautions enclosed herein reduce the risk of fire, electric shock and injury when correctly adhered to. Keep the manual in a safe place for future reference, along with purchase receipt and carton. If applicable, pass these instructions on to the next owner of the appliance.

Always follow basic safety precautions and accident prevention measures when using an electrical appliance, including the following:

### ELECTRICAL SAFETY & CORD HANDLING

**Correct voltage:** Make sure your local outlet voltage and circuit frequency corresponds to the voltage indicated on the appliance rating label.

**NOTE: Intended use:** This is a portable product, designed for private use. It is exclusively designed for use in cars, caravans and other vehicles including mobile homes, campervans, rail cars and boats. It is designed to cool food and beverages and to be set up in dry, weather protected areas. It is not intended for stationary extended use as e.g. a second fridge at home.

**Safe connection:** Insert the plug firmly into a properly earthed AC mains or 12V DC socket. Do not alter the plug.

**Protect from moisture:** To protect against electric shock, do not immerse the cable, plug or the appliance itself in water or other liquid. Ensure your hands are dry before handling the plug or switching on the appliance. Do not use it on wet surfaces.

**NOTE:** Installation of AC in boats should be carried out by a qualified electrician.

**Protect the power cable.** Do not kink or damage the power cable. Do not wrap it around the appliance. Do not pull the unit by the cable. Do not use the cable as a handle, close a door on the cable or pull the cable around sharp edges or corners. Keep the cable away from heated surfaces.

**Never touch uninsulated cables with bare hands.** This applies especially to handling AC cables.

**For installations in boats:** If the device is AC mains operated, it is important that the system is protected by a fuse and an earth leakage protection device.

**Always ensure that the correct voltage** is applied to the Fridge/Freezer. The voltage is stated on the Fridge/Freezer's data plate.

**Never obstruct vents** to the Fridge/Freezer's compressor.

**Defrost the Fridge/Freezer** on a regular basis.

**Never use hard or sharp implements** to remove ice from the cooling compartment.

**Never use abrasive or solvent based materials** when cleaning the cooling compartment.

**Do not use any electrical appliances** inside the cooling compartment.

**NOTE:** This appliance is not intended for use by persons (including children) with reduced physical, sensory or mental capabilities, or lack of experience and knowledge, unless they have been given supervision or instruction concerning use of the appliance by a person responsible for their safety. Children should be supervised to ensure that they do not play with the appliance.

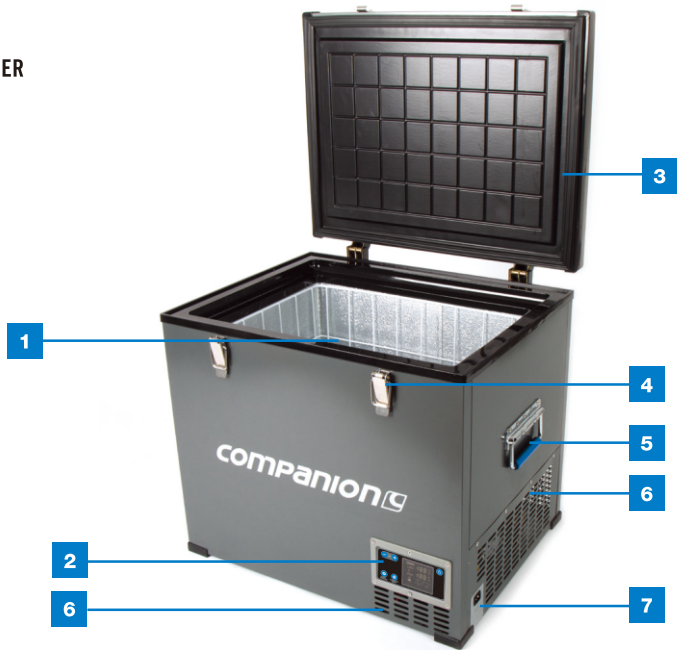
**Do not** expose to rain.

This appliance is suitable for camping use.

## ASSEMBLY AND PARTS

### SINGLE ZONE FRIDGE/FREEZER

- 1. Internal Basket
- 2. Control Panel
- 3. Single Lid
- 4. Lid Latches
- 5. Carry Handle
- 6. Air Flow Vent
- 7. Power Input Panel
- 8. AC Power Cable (Page 7.)
- 9. DC Power Cable (Page 7.)



### DUAL ZONE FRIDGE/FREEZER

- 1. Internal Baskets
- 2. Control Panel
- 3. Dual Lids
- 4. Lid Latches
- 5. Carry Handle
- 6. Air Flow Vent
- 7. Power Input Panel
- 8. AC Power Cable (Page 7.)
- 9. DC Power Cable (Page 7.)



## GETTING STARTED

### INSTALLATION

After unpacking the Fridge/Freezer check that no parts are missing. Place the unit in a dry place which is protected against splashing water. Do not place directly adjacent to sources of heat such as heating, gas ovens, hot water, pipes or under the blazing sun.

It is important that your appliance is installed and operated in accordance with these instructions to guarantee its performance, efficiency and operation.

### APPLICATION & OPERATIVE COOLING RANGE

The cooling compartment has varying temperature zones. The values indicated on the digital display are related to the middle of the cabinet.

The Single Zone Fridge/Freezer is designed to either refrigerate or freeze food. The Dual Zone Fridge/Freezer can be used as either a fridge or a freezer. The Fridge/Freezer may be used for outdoor use such as for camping purposes.

If you wish to refrigerate medicines, first check to ensure the Fridge/Freezer's cooling capacity meets the demands of the respective medicines.

The Fridge/Freezer is designed to operate in ambient temperatures between  $-10^{\circ}$  and  $+55^{\circ}$  C in a maximum air humidity of 90% and can operate continuously at an angle of  $30^{\circ}$  maximum.

**NOTE:** The normal operation of the appliance requires heat to be radiated away from the condenser located at the end of the cabinet. Adequate airflow is required around the compressor at all times. (Fig. 1).

The cooling system has been designed to operate correctly when the appliance is positioned on angles up to 30 degrees. It is recommended that the time the unit is exposed to angles over 30 degrees is limited to a maximum of four (4) hours continuous operation. (Fig. 2).



Fig. 1

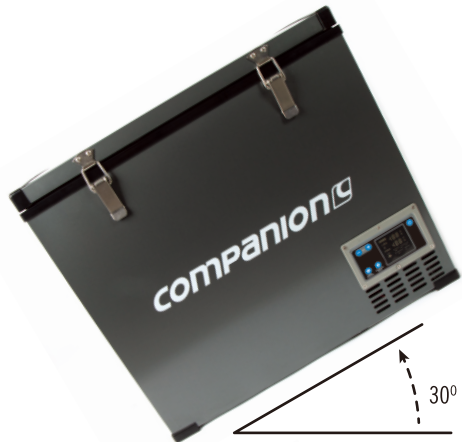
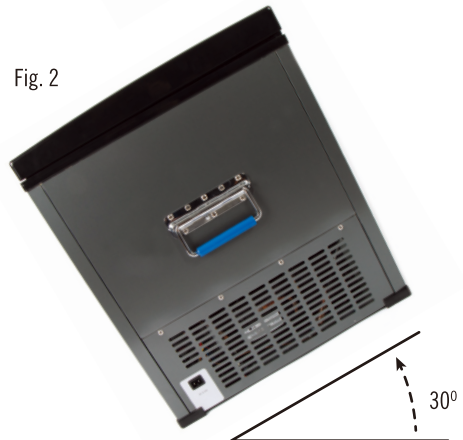


Fig. 2



## OPERATING YOUR FRIDGE / FREEZER

### POWER REQUIREMENTS

The Fridge/Freezer is designed to operate on AC or DC voltage.

AC input 220-240V AC at 50Hz to ac adaptor (e.g. electrical power point)

DC input 12V or 24V DC (e.g. car cigarette lighter or car battery)

If the Fridge/Freezer is operating when the vehicle ignition is switched OFF, the Fridge/ Freezer will switch OFF automatically unless vehicle is fitted with dual battery system.

The Fridge/Freezer will automatically switch back ON when the vehicle is re-started and the power source voltage reaches the Battery Monitor cut-in setting.

### OPERATING WITH 12/24V DC

Plug the 12V/24V DC power cable into the DC POWER socket (Fig 3.) on the end of the Fridge/Freezer and then connect to the vehicle cigarette lighter socket or suitable 12V or 24V DC power source.

The Fridge/Freezer will automatically turn on, there is no requirement to switch the appliance on.

The display will automatically show the current internal cabinet temperature.

For optimum performance and efficiency, it is important that the Fridge/Freezer has a **reliable DC power source available**. Direct connection to the battery is recommended and reduces the risk of voltage dropping to the appliance.

Use only the DC power cable supplied with the Fridge/Freezer.

**Important:** If a DC extension cable is required we recommended use of a 6mm dia. (AWG11) 4.58mm2 Twin Sheath Two Core cable with direct connection to the positive and negative battery terminals with 15A inline fuse protection.

### 12/24V DC Power Requirements

If your Fridge/Freezer is cutting out prematurely, it could be due to:

1. The battery voltage protection being set too high on the Battery Monitor (refer to page 9/10).
2. DC power cable and/or connections are not suitable to carry the required current. Check the power cable and all connections and adjust the Battery Monitor on the control panel if required.

The Fridge/Freezer is equipped with a multilevel Battery Monitor that protects your vehicle battery against excessive discharging when the Fridge/Freezer is connected to 12V or 24V DC power source.

**Important:** When using the Fridge/Freezer with DC power supply, we recommended setting the Battery Monitor to LOW if Fridge/Freezer not running off crank battery.

**Note:** A battery charger may only be connected to the battery when the Fridge/Freezer has been disconnected from the DC power source.

Re-Connect fridge after charger has been connected. Over-voltage may cause damage to the electronics of the Fridge/Freezer.

Your Fridge/Freezer is equipped with reverse polarity protection. It protects your Fridge/Freezer against reverse battery connection and short circuit.

As a protection for your battery, the Fridge/Freezer switches OFF automatically if the power source voltage is insufficient. Fridge will only restart when voltage reaches cut in level.

**Note:** It is important that the correct cable size and gauge is used for the installation of the DC supply as over distance the voltage can decrease if the incorrect cable size and gauge cable is being used.

Always consult a qualified automotive electrician when using a DC extension cable.

## OPERATING YOUR FRIDGE / FREEZER

### OPERATING WITH 240V AC

Plug the 240V AC power adaptor & cable into the Fridge power socket (Fig. 3) on the end of the Fridge/ Freezer and then connect to a suitable 240V AC power source.

The Fridge/Freezer will automatically turn on, there is no requirement to switch the appliance on.

The display will automatically show the current internal cabinet temperature.

Caution: Do not touch cables, plugs or switches with wet hands or when your feet are in contact with water! If you operate your Fridge/Freezer on board a boat by means of a shore connection to a 220-240V AC power source, the power connection must include an earth leakage RCD residual current device.



AC Power Adaptor



DC Power Cable  
(Can be Cigarette connection or Merit connection by removing/replacing red twist cap (Fig.4))



Fig. 4



## TEMP CONTROL/GENERAL OPERATION







When your Fridge/Freezer is first connected to the AC or DC power input the appliance will automatically switch on and the LCD control panel will display the current cabinet temperature, battery monitor and Eco setting as well as the current input voltage.

The Temperature Controller provides the ability to set the desired temperature level and display the current cabinet temperature. The electronic controller has been programmed to maintain an average of the set temperature.

The compressor will start up when the internal cabinet temperature increases 0.5 to 1.5 degrees above the set temperature and will run until the temperature is 0.5 to 1.5 degrees below the set temperature.

### BATTERY DISPLAY

Voltage is measured at the input connection on the side of the appliance.

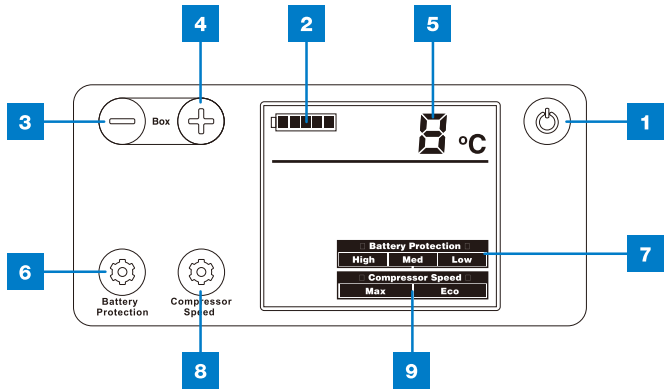
Battery Display	12V	24V
	9.6V or less	21.3V or less
	9.7V to 10.3V	21.4V to 22.4V
	10.6V to 11.0V	22.7V to 23.5V
	11.1V to 11.7V	23.6V to 24.6V
	11.8V to 12.4V	23.7V to 25.7V
	12.5V or above	25.8V or above

\*Values are for reference only and may be subject to change depending on conditions and power supply.



## SINGLE ZONE OPERATION

1. Power On/Off Button
2. Battery Monitor Display
3. Temp Decrease Button
4. Temp Increase Button
5. Temp Display
6. Battery Protection Button
7. Battery Protection Display
8. Compressor Speed Button
9. Compressor Speed Display



### BATTERY MONITOR – SETTING

1. Adjust the setting by pressing the Battery Protection button until desired setting is highlighted on display

### POWER – OFF AND ON

1. Press power button & fridge will go into standby mode then switch off after 5 seconds
2. Press the power button & fridge will re-start with previously selected settings

### ECO FUNCTION – SETTING

1. Press the compressor speed button & the speed setting will go between ECO & MAX

### CABINET TEMPERATURE – SETTING

1. Adjust Temperature by pressing the + button to increase temp and the - button to decrease temp

**Note:** Maximum temperature settings are from -18°C to 20°C.

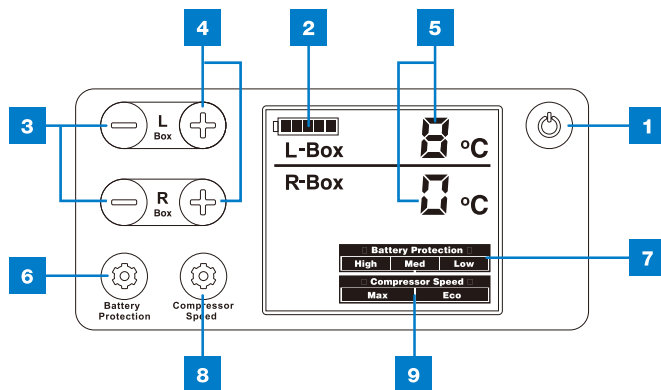
2. Temperature display will flash when selecting temperature & return to solid display when showing actual internal temperature

12V DC Input	Cut Out	Cut In
HIGH	11.3V	12.6V
MEDIUM	10.1V	11.4V
LOW	9.6V	10.9V

24V DC Input	Cut Out	Cut In
HIGH	24.3V	25.7V
MEDIUM	22.3V	23.7V
LOW	21.6V	23.0V

## DUAL ZONE OPERATION

1. Power On/Off Button
2. Battery Monitor Display
3. Temp Decrease Buttons
4. Temp Increase Buttons
5. Temp Display
6. Battery Protection Button
7. Battery Protection Display
8. Compressor Speed Button
9. Compressor Speed Display



2. Temperature display will flash when selecting temperature & return to solid display when showing actual internal temperature

### SETTING THE RIGHT ZONE

1. Adjust Temperature by pressing the R BOX + button to increase set temp and the R BOX - button to decrease set temp
2. Temperature display will flash when selecting temperature & return to solid display when showing actual internal temperature

### SHUTTING DOWN A SELECTED ZONE

The Dual cooling system will allow either zone to be shut down independently to the other. This is perfect for when the total cabinet space is not required and provides improved power efficiencies.

1. Press and hold the L BOX - and + buttons together for 2-3 seconds and the L/H Cabinet will stop cooling
2. Repeat the same step and the L/H Cabinet will recommence operation
3. Press and hold the R BOX - and + buttons together for 2-3 seconds and the R/H Cabinet will stop cooling
4. Repeat the same step and the R/H Cabinet will recommence operation

### POWER – OFF AND ON

1. Press power button & fridge will go into standby mode then switch off after 5 seconds
2. Press the power button & fridge will re-start with previously selected settings

### ECO FUNCTION – SETTING

1. Press the COMPRESSOR SPEED button & the speed setting will go between ECO & MAX

### CABINET TEMPERATURE – SETTING

The temperature may be set independently for each zone in the range -20° to +20°C.

**Note:** the LBOX & RBOX will be illuminated on the control while cooling is occurring that compartment. It will disappear from the display cooling is not required in relevant compartment

### SETTING THE LEFT ZONE

1. Adjust Temperature by pressing the L BOX + button to increase set temp and the L BOX - button to decrease set temp

## SINGLE & DUAL ZONE OPERATION

### BATTERY MONITOR – SETTING

1. Adjust the setting by pressing the Battery Protection button until desired setting is highlighted on display

12V DC Input	Cut Out	Cut In
HIGH	11.3V	12.6V
MEDIUM	10.1V	11.4V
LOW	9.6V	10.9V

24V DC Input	Cut Out	Cut In
HIGH	24.3V	25.7V
MEDIUM	22.3V	23.7V
LOW	21.6V	23.0V

## USING WITH SOLAR PANEL OR GENERATOR

### USING WITH SOLAR PANELS

The power consumption and efficiency of your Fridge/Freezer makes it ideal to be used in conjunction with solar panels to provide recharging of the DC power source. Solar panels will provide charge into the battery during the daylight hours even while the appliance is operating.

As the output from solar panels changes depending on the level of sunlight and intensity, your Fridge/Freezer cannot be connected directly to the solar panels. The appliance must be connected to a suitable DC battery and then the solar panels connected to the battery.

We recommend the use of the quality regulated portable solar panel kits from 60 to 250 watts for use with your Fridge/Freezer.

**DO NOT CONNECT THE FRIDGE/FREEZER DIRECTLY TO THE SOLAR PANEL AS IT WILL NOT WORK. CONNECTION MUST BE VIA THE BATTERY.**

### USING PORTABLE GENERATORS

It is important that the correct generator size is used with your Fridge/Freezer. An incorrect generator or voltage output may result in reduced performance or damage to your Fridge/Freezer which may void your appliance warranty.

If connecting directly to an AC generator, ensure that **only a digital or inverter type generator** is used. These provide a more reliable and constant 240V AC output power source and are specifically designed for use with electronic and other power sensitive appliances.

Most generators are fitted with a DC power output socket - DO NOT connect your fridge directly to the DC power output of the generator as this will result in damage to your Fridge/Freezer and void warranty.

When charging the battery using a digital or inverter type generator, we recommend only using a 'smart battery charger' that is fully automatic, spark proof and reverse polarity protected. The battery charger is connected directly to the AC power output socket of the generator.

## TIPS, MAINTENANCE & SERVICE

### TIPS AND SUGGESTIONS

Fresh and frozen foods should not be stored right beside each other in the cabinet. Doing so may cause a fresh food to freeze and/or spoil.

When the appliance is being set at 0° or lower temperatures, do not store glass bottles or liquids such as milk, juices or soft drinks in the unit as these may freeze and shatter, leak or burst.

Items such as fruit and vegetables should be stored closer to the top of the cabinet as this area is normally slightly warmer. This will reduce the risk of spoiling and ensures that damage is not caused by being crushed by heavier items.

To improve the efficiency of your Fridge/Freezer it is better to have the cabinet as full as possible at all times. A full cabinet will provide lower power consumption over 24 hours than a half empty one. When the cabinet is full there is little air space between the goods so the cold air is trapped, but when there is lots of air the coldness cannot be captured and held. On a trip it is a good idea to replace finished products with bottles of water or similar. This will fill the empty spaces and allow the coldness to remain within the cabinet.

Frequent door opening will allow warm air to enter the cabinet. Keep the number of times you open the door to a minimum where possible.

When located in the rear of a car or trailer, it is recommended that the appliance be kept away from direct sunlight to reduce the risk of increased heat. It should also be provided with suitable ventilation to guarantee efficient power consumption and performance. You must remember that when a vehicle is parked in the sun that on a day where the ambient temperature is +30°C, the interior of the vehicle can reach +55°C.

### MAINTENANCE & SERVICE

Your Fridge/Freezer will be delivered cleaned from the factory – you nevertheless should clean prior to initial use. Take a cloth which has been slightly moistened with lukewarm water. Pay attention that no water drops into the seals and possibly damages the electronics. Dry off the Fridge/Freezer with a cloth after cleaning. Clean your Fridge/Freezer periodically and as soon as it is dirty.

#### ATTENTION:

**DO NOT** use solvents or agents with sand or acid parts for cleaning your Fridge/Freezer.

**DO NOT** use brushes, graters or hard sharp tools to clean your Fridge/Freezer.

Before cleaning, the power cable should be disconnected and the Fridge/Freezer switched OFF.

Clean the Fridge/Freezer inside and out with a damp cloth. For stubborn dirt, use some sodium bicarbonate dissolved in lukewarm water.

After washing, rinse with clean water and dry carefully.

When storing your Fridge/Freezer for a long period of time, **DO NOT** fully close the lid. This will prevent mould and odours.

**FOR ADDITIONAL QUERIES, SERVICE AND MAINTENANCE PLEASE CONTACT OUR AFTER SALES SUPPORT 1300 555 197. THEY WILL PROVIDE YOU WITH EXPERT ADVICE ON FURTHER INFORMATION YOU MAY REQUIRE.**

#### DISPOSAL

**WHEN IT COMES TO THE END OF ITS WORKING LIFE, YOUR FRIDGE/FREEZER SHOULD BE DISPOSED OF RESPONSIBLY TO ENSURE THAT IT DOES NOT CONTAMINATE THE ENVIRONMENT. IT WOULD BE ADVISABLE TO CONTACT YOUR LOCAL COUNCIL FOR ADVICE ON THE DISPOSAL OF THIS UNIT.**

## TROUBLE SHOOTING

Issue	Possible Solutions
The Fridge/Freezer will not turn on	Check the unit is switched ON – Press the power button to turn on
	Check the power source (voltage may be too low)
	Check the power cable and all connections from the power source to Fridge/Freezer
The contents of the fridge are freezing	The temperature has been set too low, therefore increase the temperature setting.
Poor refrigeration performance	Too much food has been put inside the unit
	Temperature of the food put inside the fridge is too high
	Ensure lid is closed properly
	Ensure power source has sufficient voltage
	There is poor ventilation around the fridge
	Ambient temperature is very high
	Temperature is not set correctly
There is a "water flow" type of noise from inside the unit	This is normal, caused by the flow of refrigerant
There is a noise from the unit	Ensure unit is on a flat level surface
	Check for vibrations in surrounding objects
Fridge/Freezer does not work and display does not illuminate	There is no voltage present in the 12V/24V cigarette lighter socket in your vehicle. The ignition must be switched ON in most vehicles to apply current to the cigarette lighter socket
	No voltage present in the AC voltage socket. Try using another plug socket
	The 240V AC adaptor is defective. This can be replaced by contacting after sales support on 1300 555 197.
Fridge/Freezer does not work and display does not illuminate when operating from the 12V/24V cigarette lighter socket with ignition switched ON.	The cigarette lighter socket fuse in vehicle is defective and must be replaced
	The cigarette lighter socket in vehicle must be cleaned or the plug has not been assembled correctly.
The display shows an error message (F1) and the Fridge/Freezer does not cool	Connected to DC power source, the Fridge/Freezer has switched off. This may be due to low voltage. Check Battery Monitor setting is on LOW. Re-start vehicle to increase battery voltage level. Test and charge battery
	The Fridge/Freezer has switched off due to an internal fault. Contact After Sales Support 1300 555 197

## ERROR CODE INFORMATION

Error Code	Possible Cause	Solution
F1	Low voltage to fridge	DC - Increase voltage of DC power source/Check all connections
		AC - Replace defective 240V AC Power adaptor
F2	Condensor Fan Faulty	Contact After Sales Support 1300 555 197 to arrange repair
F3	Compressor over pressure	Disconnect power to fridge for 20 minutes & attempt re-start
F4	Compressor not kicking in	Contact After Sales Support 1300 555 197 to arrange repair
F5	Over Temperature of the compressor & electronics	Disconnect power to fridge for 20 minutes & attempt re-start
F7	Temperature Sensor Faulty	Contact After Sales Support 1300 555 197 to arrange repair

## SPECIFICATIONS

Model	10000061	10000062	10000063
Capacity	60lt Single Zone	75lt Single Zone	100lt Dual Zone
Weight	23kg	27kg	31kg
Dimensions	661mm W x 522mm D x 575mm H	661mm W x 522mm D x 675mm H	915mm W x 561 D x 535mm H
Compressor	LG BCA025L	LG BCA025L	LG BCA025L
Current Draw	5.0A MAX (12VDC), 2.5A MAX (24VDC) - 1.1AH Average	5.0A MAX (12VDC), 2.5A MAX (24VDC) - 1.3AH Average	5.0A MAX (12VDC), 2.5A MAX (24VDC) - 2.3AH Average
Cooling Range	+20°C to -20°C	+20°C to -20°C	+20 to -20
Power Input	60W	60w	60W
Insulation	PU Foam	PU Foam	PU Foam
Material	Metal Cabinet & Lid, Aluminium Lining	Metal Cabinet & Lid, Aluminium Lining	Metal Cabinet & Aluminium Lining



## WARRANTY POLICY

1. Products distributed by Adventure Operations Australia Pty Ltd and any of our subsidiaries come with guarantees that cannot be excluded under the Australian Consumer Law. You are entitled to a replacement or refund for a major failure and compensation for any other reasonably foreseeable loss or damage. You are also entitled to have the goods repaired or replaced if products fail to be of acceptable quality and the failure does not amount to a major failure.
2. In addition, we warrant that this product will be free from defects in materials and workmanship under normal use as described in the published product documentation for 36 months from the date of original purchase (Limited Warranty). This Limited Warranty is only valid and enforceable in Australia and will apply only if you have purchased the product from us or our authorised resellers.
3. To the extent permitted by the Australian Consumer Law and any applicable local law:
  - (a) our obligations under this Limited Warranty are limited to the repair, replacement or refund of covered parts that prove defective under normal use during the Limited Warranty and does not extend to any claim for damages that you or any other person may have for any loss (including without limitation consequential damages or loss of profit, freight/shipping or travel costs), or damage howsoever caused whether or not such loss or damage arises as a result of any defect in the product or from the failure or omission on our part to comply with any obligation at law;
  - (b) in replacing a defective product under the Limited Warranty, we may, at its discretion, substitute a model of equivalent nature where the exact model is unavailable;
  - (c) this Limited Warranty does not apply to damage caused by failure and damage caused by improper use and abuse, fair wear and tear, accidents, misuse (including failure to follow instructions regarding care and maintenance of the product), neglect, disassembly, alterations or external causes such as, but not limited to, water damage, exposure to sharp objects, exposure to excessive force, anomalies in the electrical current supplied to the product (if applicable), and extreme thermal or environmental conditions;
  - (d) we may elect, at our discretion and as an alternative to repairing or replacing a defective part to refund the cost of the relevant product upon it being returned to us; and
  - (e) this Limited Warranty does not extend to any products acquired for the purposes of re-supply, or for use in a manufacturing, or repair processes.
4. This warranty may be claimed by:
  - returning the product to its place of purchase, with a detailed proof-of-purchase clearly showing the date and detail of the purchase;
5. If you have any questions concerning this warranty policy, you may contact us in writing:  
Adventure Operations, 71 Charles Ulm Place, Eagle Farm, 4009 QLD, or by email: [service@adventureoperations.com](mailto:service@adventureoperations.com)  
or visit our website: [www.adventureoperations.com](http://www.adventureoperations.com)

TO THE EXTENT PERMITTED BY LAW, ADVENTURE OPERATIONS AUSTRALIA PTY LTD, ITS SUBSIDIARIES AND ITS VENDORS DISCLAIM ANY IMPLIED WARRANTIES OF MERCHANTABILITY OR FITNESS FOR A PARTICULAR PURPOSE OR ANY SIMILAR STANDARD IMPOSED BY APPLICABLE LEGISLATION AND ADVENTURE OPERATIONS AUSTRALIA PTY LTD AND ITS SUBSIDIARIES' RESPONSIBILITY TO REPAIR, REPLACE, OR OFFER A REFUND FOR DEFECTIVE PRODUCTS IS THE SOLE AND EXCLUSIVE REMEDY PROVIDED TO ITS CUSTOMERS UNDER THIS DOCUMENT.

WARRANTY - For details see [www.companionleisure.com.au/warranty](http://www.companionleisure.com.au/warranty)

Designed & Imported by:

**Adventure Trading Australia Pty Ltd**

71 Charles Ulm Place,  
Eagle Farm, QLD 4009  
AUSTRALIA



Companion® is a registered trademark of

**Primus Australia Pty Ltd**

Made in China

