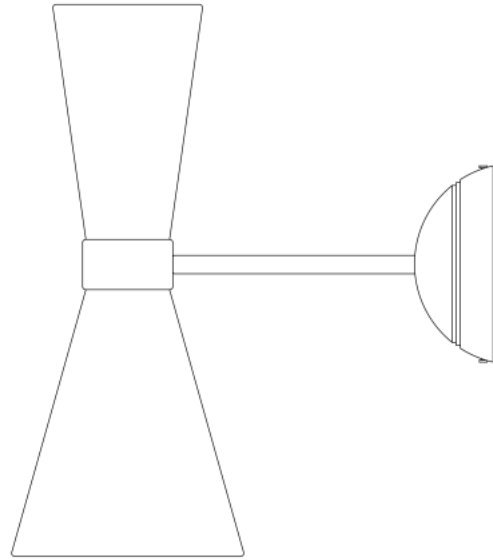


# AMIAS Wall Light

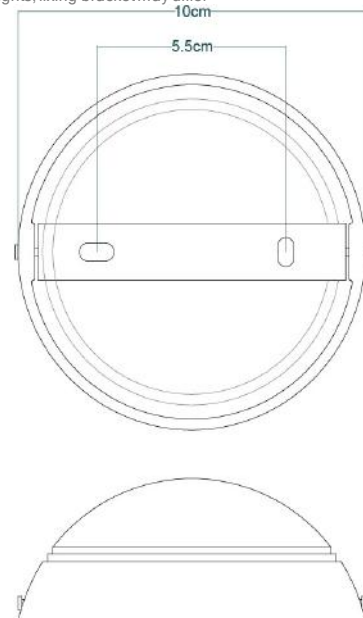
MLWL229ANTBRS    Antique Brass



MATERIAL	Brass
HEIGHT	33cm   12.99"
WIDTH   DIAMETER	14cm   5.51"
LENGTH   PROJECTION	23cm   9.06"
WEIGHT	1KG   2.2lbs
LAMPHOLDER	GU10 x 2
MAX WATTAGE	6.5W x 2
VOLTAGE	220/240v or 110/120v
IP RATING	20
CLASS PROTECTION	I
SHADE	-
FLEX   BAR   CHAIN LENGT	n/a
CABLE TYPE	-

### Fixing Bracket MLWB01 | Antique Brass

\*For UL wired lights, fixing bracket may differ

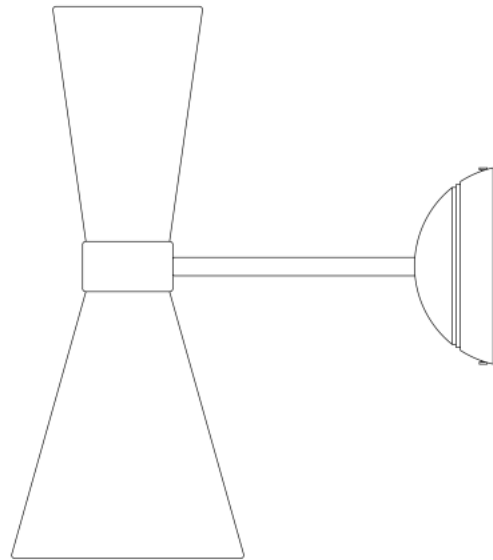


**Product Notes:**

1) Lamps not included with light fixture. 2) All products are individually hand crafted, therefore may differ slightly within manufacturing tolerances. 3) Please refer to: <http://www.mullanlighting.com/terms> for full list of Terms & Conditions. 4) Cable/Chain can be shortened during installation. 5) Longer Cable/Chain available on request. 6) Additional colour finishes available on request. 7.) Dimensions do not include lamps. 8.) Products wired to UL standards will operate at 110/120v with the appropriate lampholders.

# AMIAS Wall Light

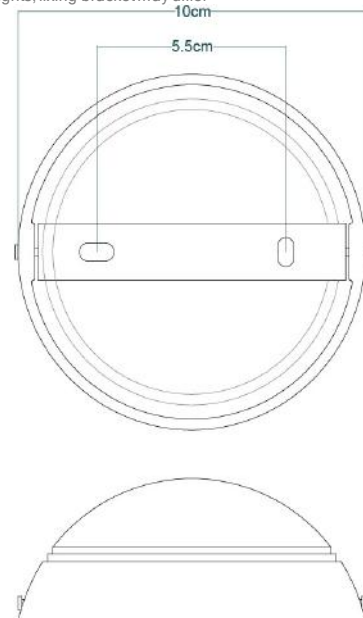
MLWL229ANTSLV    Antique Silver



MATERIAL	Brass
HEIGHT	33cm   12.99"
WIDTH   DIAMETER	14cm   5.51"
LENGTH   PROJECTION	23cm   9.06"
WEIGHT	1KG   2.2lbs
LAMPHOLDER	GU10 x 2
MAX WATTAGE	6.5W x 2
VOLTAGE	220/240v or 110/120v
IP RATING	20
CLASS PROTECTION	I
SHADE	-
FLEX   BAR   CHAIN LENGT	n/a
CABLE TYPE	-

**Fixing Bracket MLWB01 | Antique Silver**

\*For UL wired lights, fixing bracket may differ

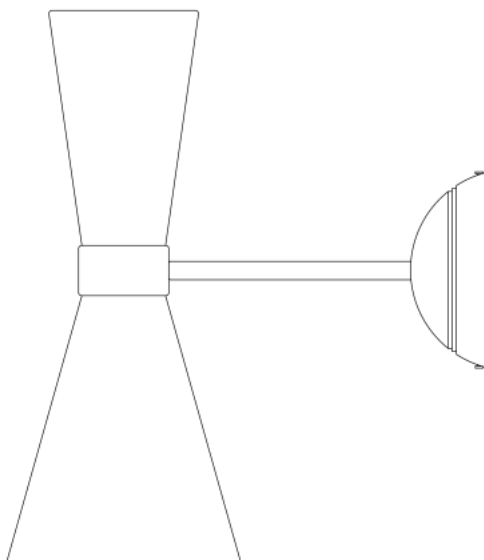


**Product Notes:**

1) Lamps not included with light fixture. 2) All products are individually hand crafted, therefore may differ slightly within manufacturing tolerances. 3) Please refer to: <http://www.mullanlighting.com/terms> for full list of Terms & Conditions. 4) Cable/Chain can be shortened during installation. 5) Longer Cable/Chain available on request. 6) Additional colour finishes available on request. 7.) Dimensions do not include lamps. 8.) Products wired to UL standards will operate at 110/120v with the appropriate lampholders.

# AMIAS Wall Light

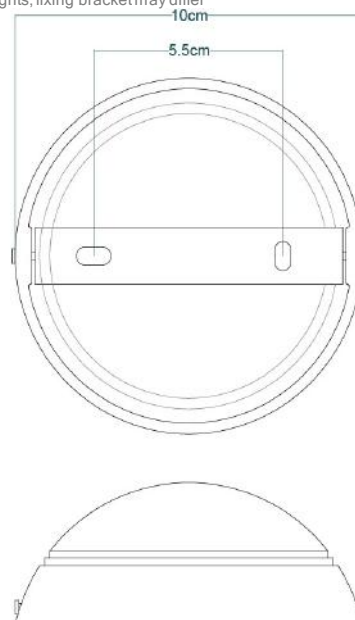
MLWL229POLBRS Polished Brass



MATERIAL	Brass
HEIGHT	33cm   12.99"
WIDTH   DIAMETER	14cm   5.51"
LENGTH   PROJECTION	23cm   9.06"
WEIGHT	1KG   2.2lbs
LAMPHOLDER	GU10 x 2
MAX WATTAGE	6.5W x 2
VOLTAGE	220/240v or 110/120v
IP RATING	20
CLASS PROTECTION	I
SHADE	-
FLEX   BAR   CHAIN LENGT	n/a
CABLE TYPE	-

### Fixing Bracket MLWB01 | Polished Brass

\*For UL wired lights, fixing bracket may differ

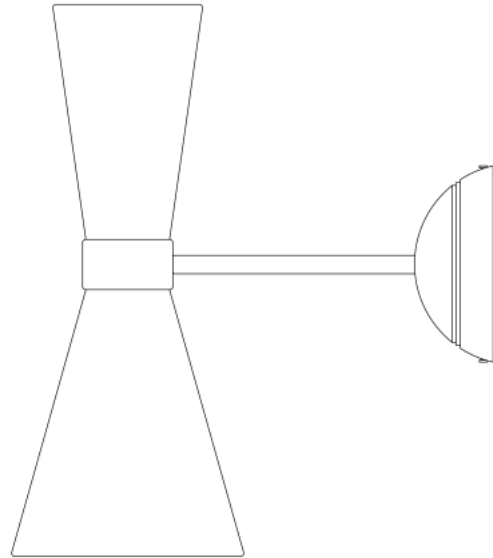


**Product Notes:**

1) Lamps not included with light fixture. 2) All products are individually hand crafted, therefore may differ slightly within manufacturing tolerances. 3) Please refer to: <http://www.mullanlighting.com/terms> for full list of Terms & Conditions. 4) Cable/Chain can be shortened during installation. 5) Longer Cable/Chain available on request. 6) Additional colour finishes available on request. 7.) Dimensions do not include lamps. 8.) Products wired to UL standards will operate at 110/120v with the appropriate lampholders.

# AMIAS Wall Light

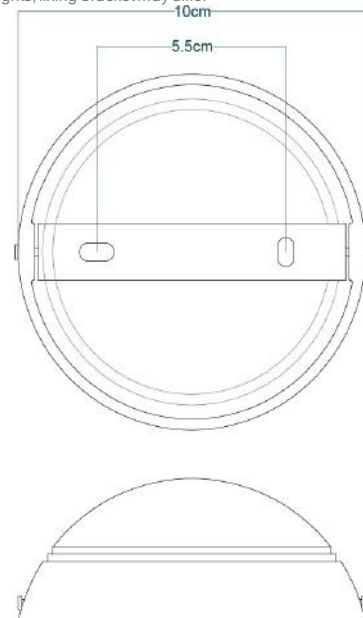
MLWL229SATBRS Satin Brass



MATERIAL	Brass
HEIGHT	33cm   12.99"
WIDTH   DIAMETER	14cm   5.51"
LENGTH   PROJECTION	23cm   9.06"
WEIGHT	1KG   2.2lbs
LAMPHOLDER	GU10 x 2
MAX WATTAGE	6.5W x 2
VOLTAGE	220/240v or 110/120v
IP RATING	20
CLASS PROTECTION	I
SHADE	-
FLEX   BAR   CHAIN LENGT	n/a
CABLE TYPE	-

### Fixing Bracket MLWB01 | Satin Brass

\*For UL wired lights, fixing bracket may differ



**Product Notes:**

1) Lamps not included with light fixture. 2) All products are individually hand crafted, therefore may differ slightly within manufacturing tolerances. 3) Please refer to: <http://www.mullanlighting.com/terms> for full list of Terms & Conditions. 4) Cable/Chain can be shortened during installation. 5) Longer Cable/Chain available on request. 6) Additional colour finishes available on request. 7.) Dimensions do not include lamps. 8.) Products wired to UL standards will operate at 110/120v with the appropriate lampholders.