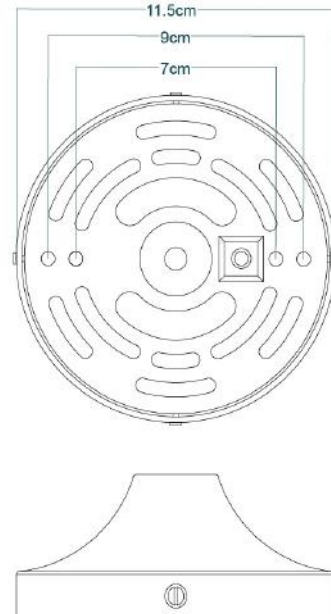


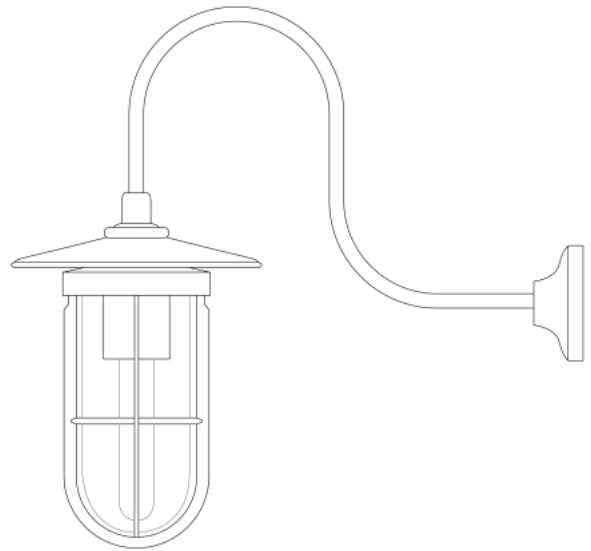
| | |
|--------------------------|-----------------|
| MATERIAL | Brass Glass |
| HEIGHT | 35cm 13.78" |
| WIDTH DIAMETER | 16cm 6.3" |
| LENGTH PROJECTION | 37cm 14.57" |
| WEIGHT | 1.77KG 3.9lbs |
| LAMPHOLDER | E27 x 1 |
| MAX WATTAGE | 40W x 1 |
| VOLTAGE | 220/240v |
| IP RATING | 65 |
| CLASS PROTECTION | II |
| SHADE | GL147 |
| FLEX BAR CHAIN LENGT | n/a |
| CABLE TYPE | - |

Fixing Bracket MLWB12 | Antique Brass



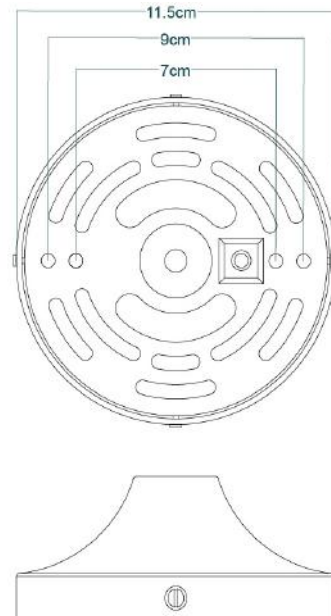
Product Notes:

1) Lamps not included with light fixture. 2) All products are individually hand crafted, therefore may differ slightly within manufacturing tolerances. 3) Please refer to: <http://www.mullanlighting.com/terms> for full list of Terms & Conditions. 4) Cable/Chain can be shortened during installation. 5) Longer Cable/Chain available on request. 6) Additional colour finishes available on request. 7.) Dimensions do not include lamps. 8.) Products wired to UL standards will operate at 110/120v with the appropriate lampholders.



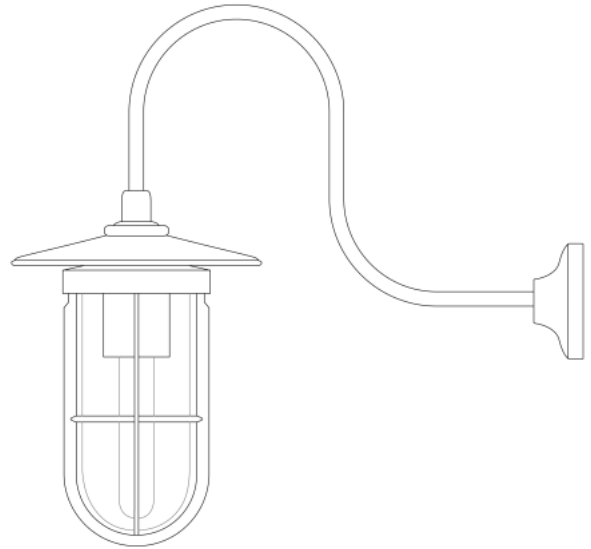
| | |
|--------------------------|-----------------|
| MATERIAL | Brass Glass |
| HEIGHT | 35cm 13.78" |
| WIDTH DIAMETER | 16cm 6.3" |
| LENGTH PROJECTION | 37cm 14.57" |
| WEIGHT | 1.77KG 3.9lbs |
| LAMPHOLDER | E27 x 1 |
| MAX WATTAGE | 40W x 1 |
| VOLTAGE | 220/240v |
| IP RATING | 65 |
| CLASS PROTECTION | II |
| SHADE | GL144 |
| FLEX BAR CHAIN LENGT | n/a |
| CABLE TYPE | - |

Fixing Bracket MLWB12 | Antique Brass



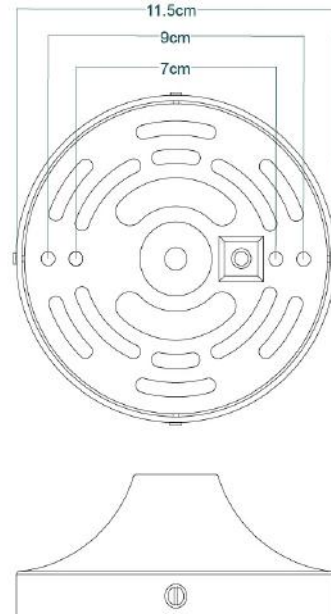
Product Notes:

1) Lamps not included with light fixture. 2) All products are individually hand crafted, therefore may differ slightly within manufacturing tolerances. 3) Please refer to: <http://www.mullanlighting.com/terms> for full list of Terms & Conditions. 4) Cable/Chain can be shortened during installation. 5) Longer Cable/Chain available on request. 6) Additional colour finishes available on request. 7.) Dimensions do not include lamps. 8.) Products wired to UL standards will operate at 110/120v with the appropriate lampholders.



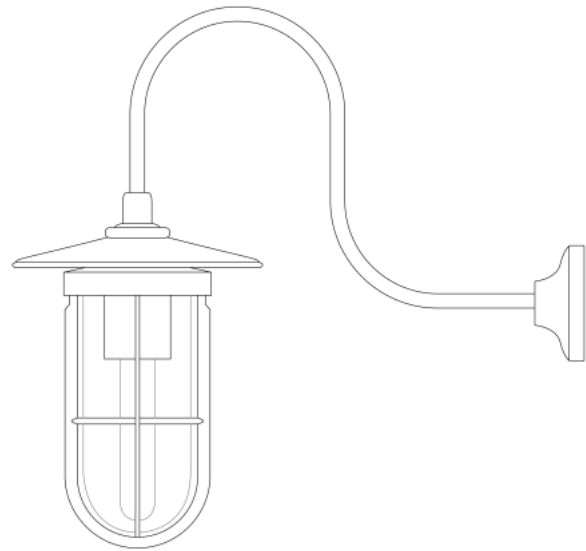
| | |
|--------------------------|-----------------|
| MATERIAL | Brass Glass |
| HEIGHT | 35cm 13.78" |
| WIDTH DIAMETER | 16cm 6.3" |
| LENGTH PROJECTION | 37cm 14.57" |
| WEIGHT | 1.77KG 3.9lbs |
| LAMPHOLDER | E27 x 1 |
| MAX WATTAGE | 40W x 1 |
| VOLTAGE | 220/240v |
| IP RATING | 65 |
| CLASS PROTECTION | II |
| SHADE | GL148 |
| FLEX BAR CHAIN LENGT | n/a |
| CABLE TYPE | - |

Fixing Bracket MLWB12 | Antique Brass



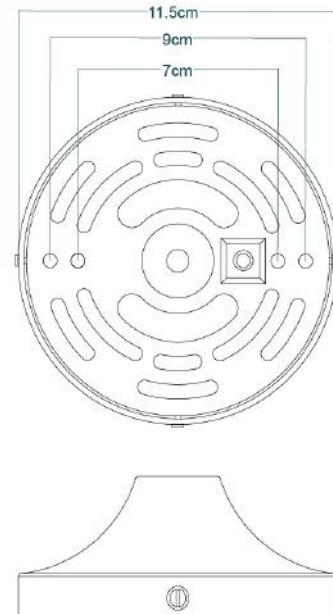
Product Notes:

1) Lamps not included with light fixture. 2) All products are individually hand crafted, therefore may differ slightly within manufacturing tolerances. 3) Please refer to: <http://www.mullanlighting.com/terms> for full list of Terms & Conditions. 4) Cable/Chain can be shortened during installation. 5) Longer Cable/Chain available on request. 6) Additional colour finishes available on request. 7.) Dimensions do not include lamps. 8.) Products wired to UL standards will operate at 110/120v with the appropriate lampholders.



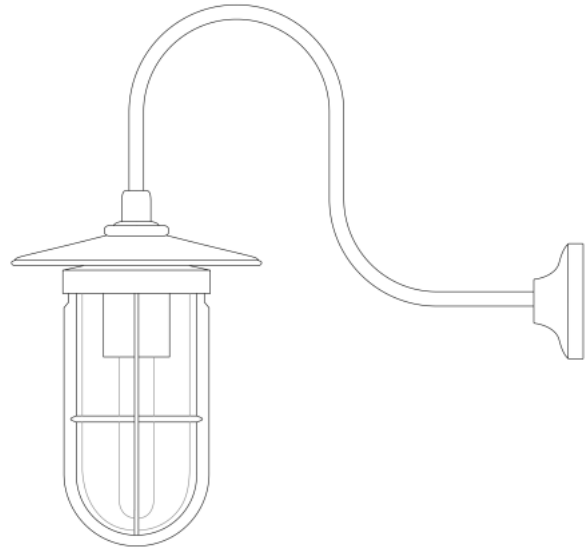
| | |
|--------------------------|-----------------|
| MATERIAL | Brass Glass |
| HEIGHT | 35cm 13.78" |
| WIDTH DIAMETER | 16cm 6.3" |
| LENGTH PROJECTION | 37cm 14.57" |
| WEIGHT | 1.77KG 3.9lbs |
| LAMPHOLDER | E27 x 1 |
| MAX WATTAGE | 40W x 1 |
| VOLTAGE | 220/240v |
| IP RATING | 65 |
| CLASS PROTECTION | II |
| SHADE | GL147 |
| FLEX BAR CHAIN LENGT | n/a |
| CABLE TYPE | - |

Fixing Bracket MLWB12 | Antique Silver



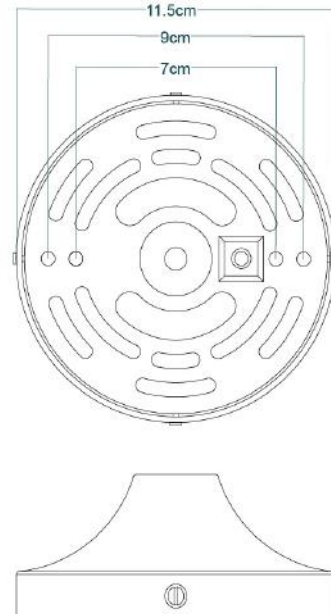
Product Notes:

1) Lamps not included with light fixture. 2) All products are individually hand crafted, therefore may differ slightly within manufacturing tolerances. 3) Please refer to: <http://www.mullanlighting.com/terms> for full list of Terms & Conditions. 4) Cable/Chain can be shortened during installation. 5) Longer Cable/Chain available on request. 6) Additional colour finishes available on request. 7.) Dimensions do not include lamps. 8.) Products wired to UL standards will operate at 110/120v with the appropriate lampholders.



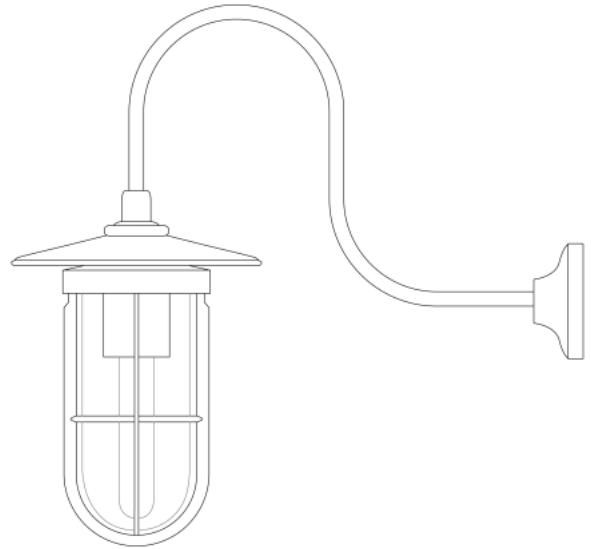
| | |
|--------------------------|-----------------|
| MATERIAL | Brass Glass |
| HEIGHT | 35cm 13.78" |
| WIDTH DIAMETER | 16cm 6.3" |
| LENGTH PROJECTION | 37cm 14.57" |
| WEIGHT | 1.77KG 3.9lbs |
| LAMPHOLDER | E27 x 1 |
| MAX WATTAGE | 40W x 1 |
| VOLTAGE | 220/240v |
| IP RATING | 65 |
| CLASS PROTECTION | II |
| SHADE | GL144 |
| FLEX BAR CHAIN LENGT | n/a |
| CABLE TYPE | - |

Fixing Bracket MLWB12 | Antique Silver



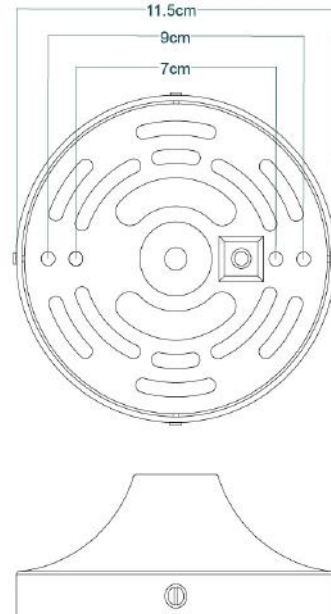
Product Notes:

1) Lamps not included with light fixture. 2) All products are individually hand crafted, therefore may differ slightly within manufacturing tolerances. 3) Please refer to: <http://www.mullanlighting.com/terms> for full list of Terms & Conditions. 4) Cable/Chain can be shortened during installation. 5) Longer Cable/Chain available on request. 6) Additional colour finishes available on request. 7.) Dimensions do not include lamps. 8.) Products wired to UL standards will operate at 110/120v with the appropriate lampholders.



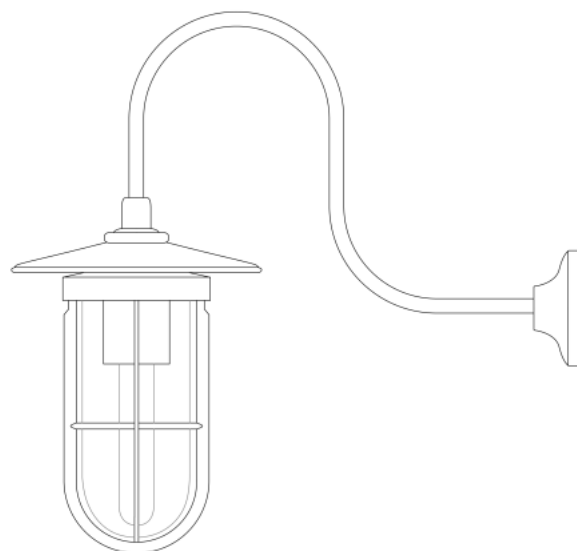
| | |
|--------------------------|-----------------|
| MATERIAL | Brass Glass |
| HEIGHT | 35cm 13.78" |
| WIDTH DIAMETER | 16cm 6.3" |
| LENGTH PROJECTION | 37cm 14.57" |
| WEIGHT | 1.77KG 3.9lbs |
| LAMPHOLDER | E27 x 1 |
| MAX WATTAGE | 40W x 1 |
| VOLTAGE | 220/240v |
| IP RATING | 65 |
| CLASS PROTECTION | II |
| SHADE | GL148 |
| FLEX BAR CHAIN LENGT | n/a |
| CABLE TYPE | - |

Fixing Bracket MLWB12 | Antique Silver



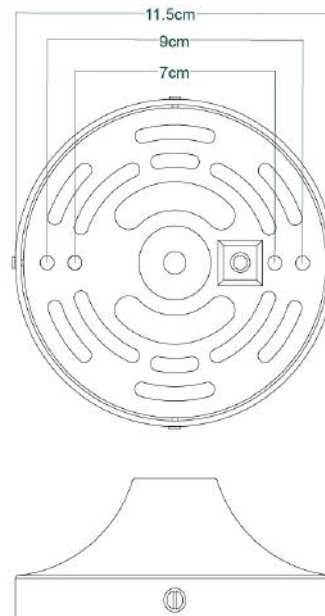
Product Notes:

1) Lamps not included with light fixture. 2) All products are individually hand crafted, therefore may differ slightly within manufacturing tolerances. 3) Please refer to: <http://www.mullanlighting.com/terms> for full list of Terms & Conditions. 4) Cable/Chain can be shortened during installation. 5) Longer Cable/Chain available on request. 6) Additional colour finishes available on request. 7.) Dimensions do not include lamps. 8.) Products wired to UL standards will operate at 110/120v with the appropriate lampholders.



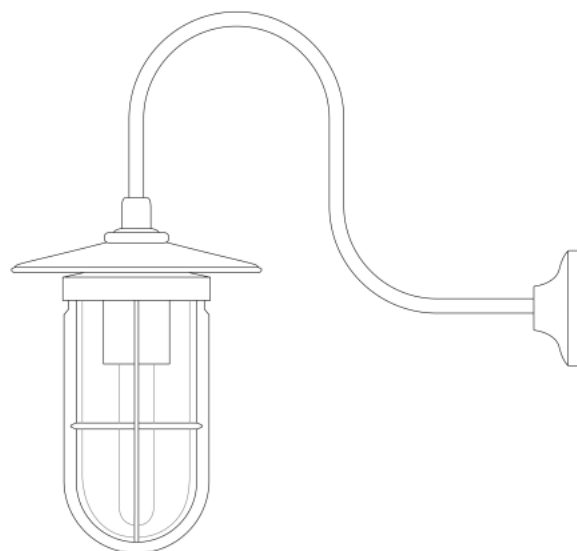
| | |
|--------------------------|-----------------|
| MATERIAL | Brass Glass |
| HEIGHT | 35cm 13.78" |
| WIDTH DIAMETER | 16cm 6.3" |
| LENGTH PROJECTION | 37cm 14.57" |
| WEIGHT | 1.77KG 3.9lbs |
| LAMPHOLDER | E27 x 1 |
| MAX WATTAGE | 40W x 1 |
| VOLTAGE | 220/240v |
| IP RATING | 65 |
| CLASS PROTECTION | II |
| SHADE | GL147 |
| FLEX BAR CHAIN LENGT | n/a |
| CABLE TYPE | - |

Fixing Bracket MLWB12 | Natural Brass



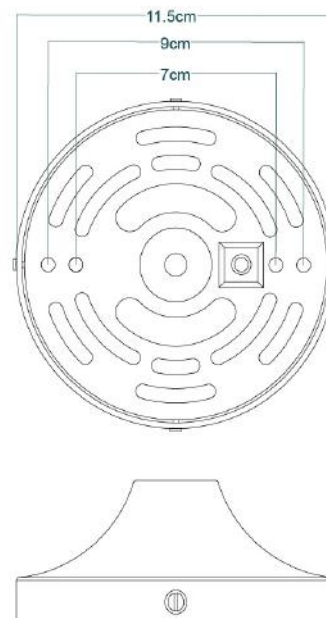
Product Notes:

1) Lamps not included with light fixture. 2) All products are individually hand crafted, therefore may differ slightly within manufacturing tolerances. 3) Please refer to: <http://www.mullanlighting.com/terms> for full list of Terms & Conditions. 4) Cable/Chain can be shortened during installation. 5) Longer Cable/Chain available on request. 6) Additional colour finishes available on request. 7.) Dimensions do not include lamps. 8.) Products wired to UL standards will operate at 110/120v with the appropriate lampholders.



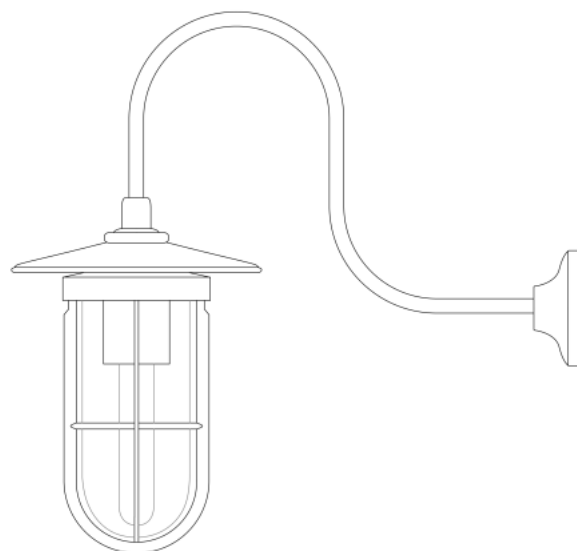
| | |
|--------------------------|-----------------|
| MATERIAL | Brass Glass |
| HEIGHT | 35cm 13.78" |
| WIDTH DIAMETER | 16cm 6.3" |
| LENGTH PROJECTION | 37cm 14.57" |
| WEIGHT | 1.77KG 3.9lbs |
| LAMPHOLDER | E27 x 1 |
| MAX WATTAGE | 40W x 1 |
| VOLTAGE | 220/240v |
| IP RATING | 65 |
| CLASS PROTECTION | II |
| SHADE | GL144 |
| FLEX BAR CHAIN LENGT | n/a |
| CABLE TYPE | - |

Fixing Bracket MLWB12 | Natural Brass



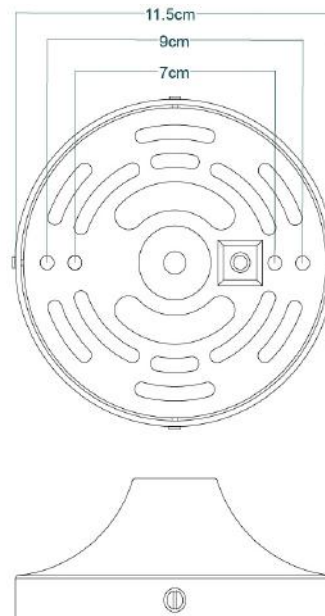
Product Notes:

1) Lamps not included with light fixture. 2) All products are individually hand crafted, therefore may differ slightly within manufacturing tolerances. 3) Please refer to: <http://www.mullanlighting.com/terms> for full list of Terms & Conditions. 4) Cable/Chain can be shortened during installation. 5) Longer Cable/Chain available on request. 6) Additional colour finishes available on request. 7.) Dimensions do not include lamps. 8.) Products wired to UL standards will operate at 110/120v with the appropriate lampholders.



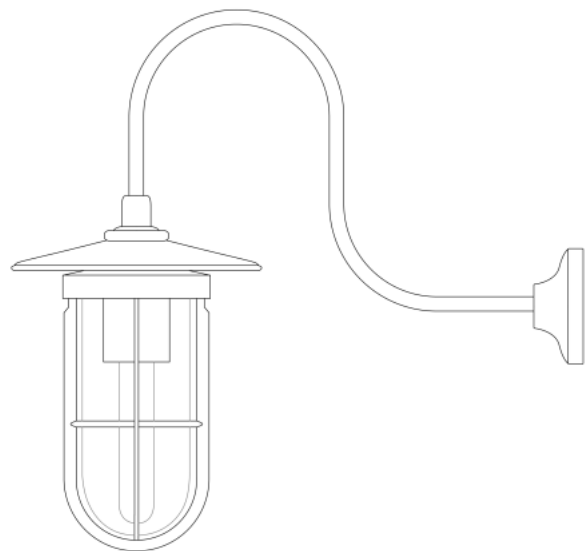
| | |
|--------------------------|-----------------|
| MATERIAL | Brass Glass |
| HEIGHT | 35cm 13.78" |
| WIDTH DIAMETER | 16cm 6.3" |
| LENGTH PROJECTION | 37cm 14.57" |
| WEIGHT | 1.77KG 3.9lbs |
| LAMPHOLDER | E27 x 1 |
| MAX WATTAGE | 40W x 1 |
| VOLTAGE | 220/240v |
| IP RATING | 65 |
| CLASS PROTECTION | II |
| SHADE | GL148 |
| FLEX BAR CHAIN LENGT | n/a |
| CABLE TYPE | - |

Fixing Bracket MLWB12 | Natural Brass



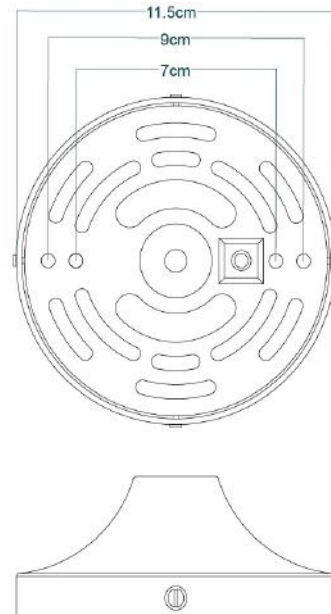
Product Notes:

1) Lamps not included with light fixture. 2) All products are individually hand crafted, therefore may differ slightly within manufacturing tolerances. 3) Please refer to: <http://www.mullanlighting.com/terms> for full list of Terms & Conditions. 4) Cable/Chain can be shortened during installation. 5) Longer Cable/Chain available on request. 6) Additional colour finishes available on request. 7.) Dimensions do not include lamps. 8.) Products wired to UL standards will operate at 110/120v with the appropriate lampholders.



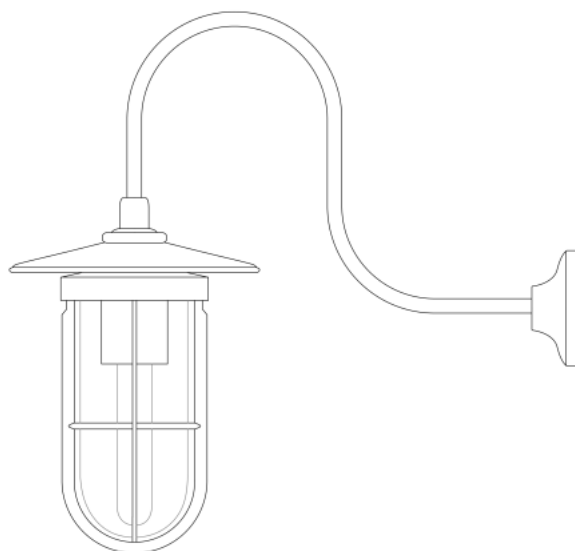
| | |
|--------------------------|-----------------|
| MATERIAL | Brass Glass |
| HEIGHT | 35cm 13.78" |
| WIDTH DIAMETER | 16cm 6.3" |
| LENGTH PROJECTION | 37cm 14.57" |
| WEIGHT | 1.77KG 3.9lbs |
| LAMPHOLDER | E27 x 1 |
| MAX WATTAGE | 40W x 1 |
| VOLTAGE | 220/240v |
| IP RATING | 65 |
| CLASS PROTECTION | II |
| SHADE | GL147 |
| FLEX BAR CHAIN LENGT | n/a |
| CABLE TYPE | - |

Fixing Bracket MLWB12 | Polished Brass



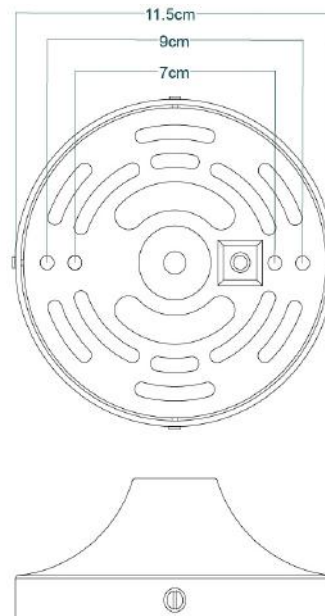
Product Notes:

1) Lamps not included with light fixture. 2) All products are individually hand crafted, therefore may differ slightly within manufacturing tolerances. 3) Please refer to: <http://www.mullanlighting.com/terms> for full list of Terms & Conditions. 4) Cable/Chain can be shortened during installation. 5) Longer Cable/Chain available on request. 6) Additional colour finishes available on request. 7.) Dimensions do not include lamps. 8.) Products wired to UL standards will operate at 110/120v with the appropriate lampholders.



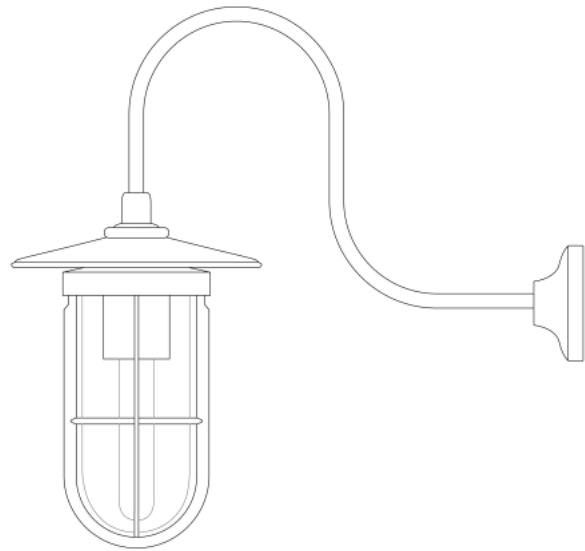
| | |
|--------------------------|-----------------|
| MATERIAL | Brass Glass |
| HEIGHT | 35cm 13.78" |
| WIDTH DIAMETER | 16cm 6.3" |
| LENGTH PROJECTION | 37cm 14.57" |
| WEIGHT | 1.77KG 3.9lbs |
| LAMPHOLDER | E27 x 1 |
| MAX WATTAGE | 40W x 1 |
| VOLTAGE | 220/240v |
| IP RATING | 65 |
| CLASS PROTECTION | II |
| SHADE | GL144 |
| FLEX BAR CHAIN LENGT | n/a |
| CABLE TYPE | - |

Fixing Bracket MLWB12 | Polished Brass



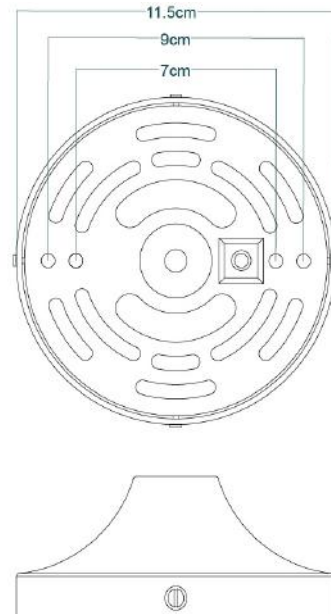
Product Notes:

1) Lamps not included with light fixture. 2) All products are individually hand crafted, therefore may differ slightly within manufacturing tolerances. 3) Please refer to: <http://www.mullanlighting.com/terms> for full list of Terms & Conditions. 4) Cable/Chain can be shortened during installation. 5) Longer Cable/Chain available on request. 6) Additional colour finishes available on request. 7.) Dimensions do not include lamps. 8.) Products wired to UL standards will operate at 110/120v with the appropriate lampholders.



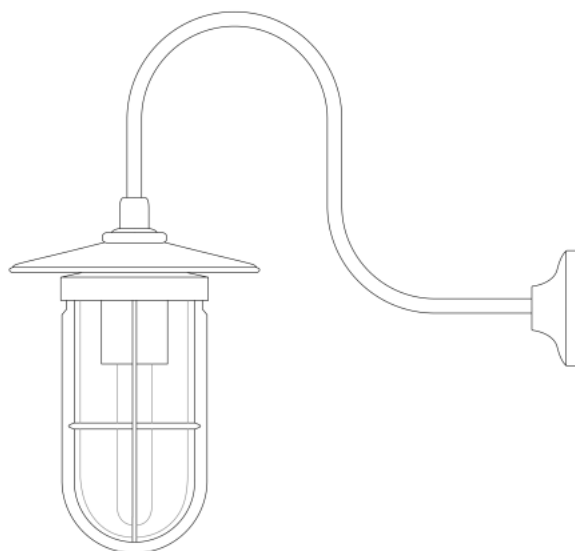
| | |
|--------------------------|-----------------|
| MATERIAL | Brass Glass |
| HEIGHT | 35cm 13.78" |
| WIDTH DIAMETER | 16cm 6.3" |
| LENGTH PROJECTION | 37cm 14.57" |
| WEIGHT | 1.77KG 3.9lbs |
| LAMPHOLDER | E27 x 1 |
| MAX WATTAGE | 40W x 1 |
| VOLTAGE | 220/240v |
| IP RATING | 65 |
| CLASS PROTECTION | II |
| SHADE | GL148 |
| FLEX BAR CHAIN LENGT | n/a |
| CABLE TYPE | - |

Fixing Bracket MLWB12 | Polished Brass



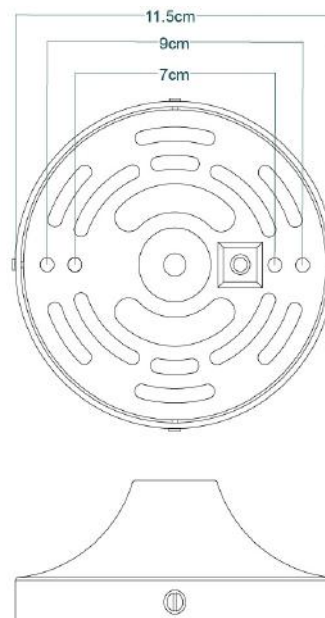
Product Notes:

1) Lamps not included with light fixture. 2) All products are individually hand crafted, therefore may differ slightly within manufacturing tolerances. 3) Please refer to: <http://www.mullanlighting.com/terms> for full list of Terms & Conditions. 4) Cable/Chain can be shortened during installation. 5) Longer Cable/Chain available on request. 6) Additional colour finishes available on request. 7.) Dimensions do not include lamps. 8.) Products wired to UL standards will operate at 110/120v with the appropriate lampholders.



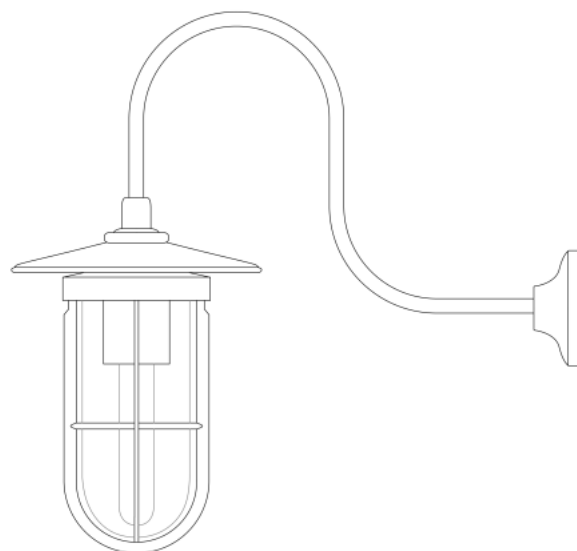
| | |
|--------------------------|-----------------|
| MATERIAL | Brass Glass |
| HEIGHT | 35cm 13.78" |
| WIDTH DIAMETER | 16cm 6.3" |
| LENGTH PROJECTION | 37cm 14.57" |
| WEIGHT | 1.77KG 3.9lbs |
| LAMPHOLDER | E27 x 1 |
| MAX WATTAGE | 40W x 1 |
| VOLTAGE | 220/240v |
| IP RATING | 65 |
| CLASS PROTECTION | II |
| SHADE | GL147 |
| FLEX BAR CHAIN LENGT | n/a |
| CABLE TYPE | - |

Fixing Bracket MLWB12 | Satin Brass



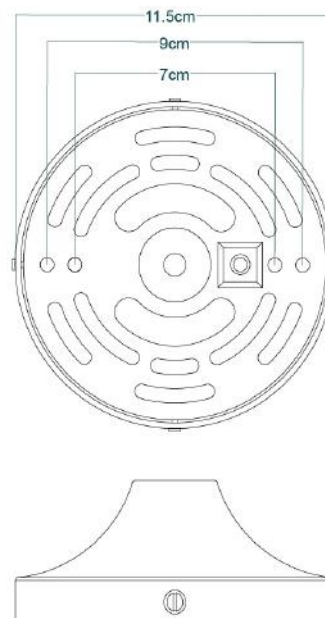
Product Notes:

1) Lamps not included with light fixture. 2) All products are individually hand crafted, therefore may differ slightly within manufacturing tolerances. 3) Please refer to: <http://www.mullanlighting.com/terms> for full list of Terms & Conditions. 4) Cable/Chain can be shortened during installation. 5) Longer Cable/Chain available on request. 6) Additional colour finishes available on request. 7.) Dimensions do not include lamps. 8.) Products wired to UL standards will operate at 110/120v with the appropriate lampholders.



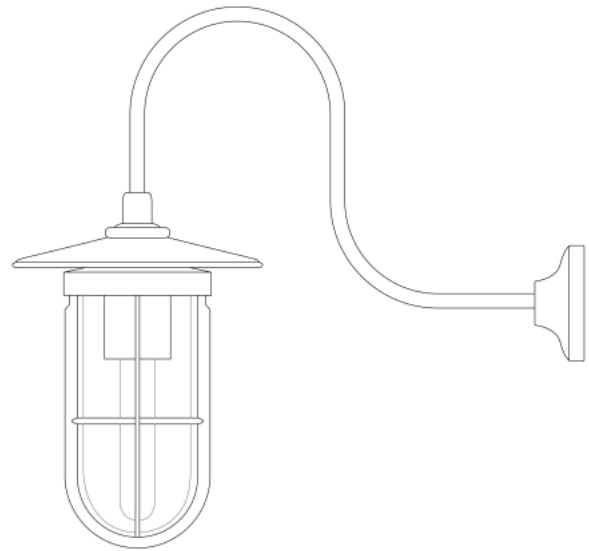
| | |
|--------------------------|-----------------|
| MATERIAL | Brass Glass |
| HEIGHT | 35cm 13.78" |
| WIDTH DIAMETER | 16cm 6.3" |
| LENGTH PROJECTION | 37cm 14.57" |
| WEIGHT | 1.77KG 3.9lbs |
| LAMPHOLDER | E27 x 1 |
| MAX WATTAGE | 40W x 1 |
| VOLTAGE | 220/240v |
| IP RATING | 65 |
| CLASS PROTECTION | II |
| SHADE | GL144 |
| FLEX BAR CHAIN LENGT | n/a |
| CABLE TYPE | - |

Fixing Bracket MLWB12 | Satin Brass



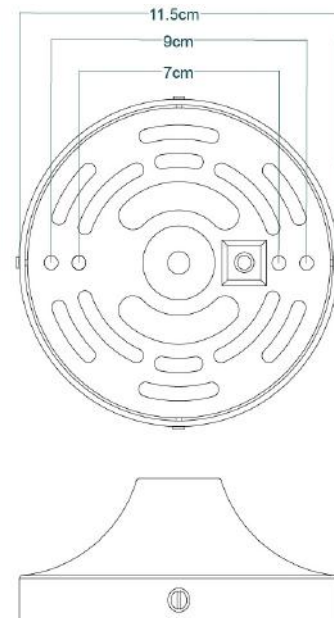
Product Notes:

1) Lamps not included with light fixture. 2) All products are individually hand crafted, therefore may differ slightly within manufacturing tolerances. 3) Please refer to: <http://www.mullanlighting.com/terms> for full list of Terms & Conditions. 4) Cable/Chain can be shortened during installation. 5) Longer Cable/Chain available on request. 6) Additional colour finishes available on request. 7.) Dimensions do not include lamps. 8.) Products wired to UL standards will operate at 110/120v with the appropriate lampholders.



| | |
|--------------------------|-----------------|
| MATERIAL | Brass Glass |
| HEIGHT | 35cm 13.78" |
| WIDTH DIAMETER | 16cm 6.3" |
| LENGTH PROJECTION | 37cm 14.57" |
| WEIGHT | 1.77KG 3.9lbs |
| LAMPHOLDER | E27 x 1 |
| MAX WATTAGE | 40W x 1 |
| VOLTAGE | 220/240v |
| IP RATING | 65 |
| CLASS PROTECTION | II |
| SHADE | GL148 |
| FLEX BAR CHAIN LENGT | n/a |
| CABLE TYPE | - |

Fixing Bracket MLWB12 | Satin Brass



Product Notes:

1) Lamps not included with light fixture. 2) All products are individually hand crafted, therefore may differ slightly within manufacturing tolerances. 3) Please refer to: <http://www.mullanlighting.com/terms> for full list of Terms & Conditions. 4) Cable/Chain can be shortened during installation. 5) Longer Cable/Chain available on request. 6) Additional colour finishes available on request. 7.) Dimensions do not include lamps. 8.) Products wired to UL standards will operate at 110/120v with the appropriate lampholders.