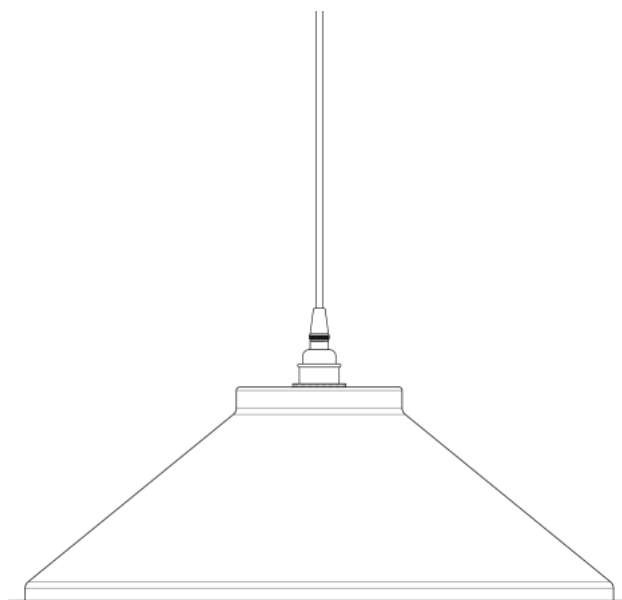


MATERIAL	Brass
HEIGHT	22cm 8.66"
WIDTH DIAMETER	38cm 14.96"
LENGTH PROJECTION	n/a
WEIGHT	0.8KG 1.76lbs
LAMPHOLDER	E27 x 1
MAX WATTAGE	40W x 1
VOLTAGE	220/240v
IP RATING	20
CLASS PROTECTION	I
SHADE	-
FLEX BAR CHAIN LENGT	100cm 40"
CABLE TYPE	MLCA007 3 Core Twist Brown Braid PVC

Fixing Bracket MLROSE05GRIP | Antique Brass

Product Notes:

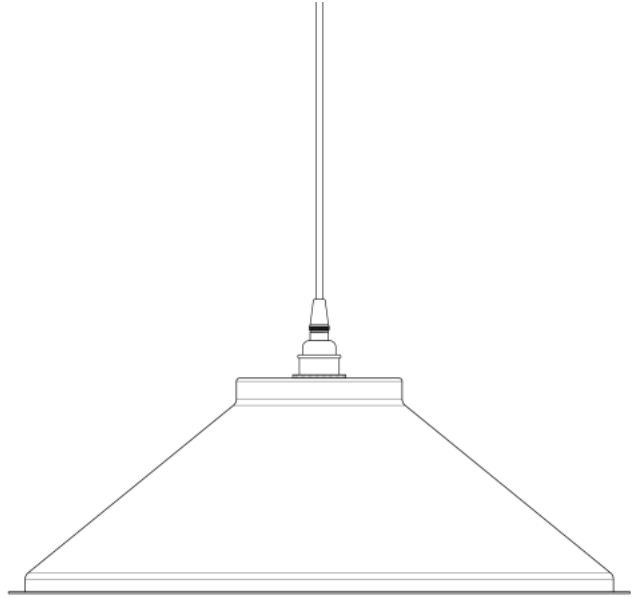
1) Lamps not included with light fixture. 2) All products are individually hand crafted, therefore may differ slightly within manufacturing tolerances. 3) Please refer to: <http://www.mullanlighting.com/terms> for full list of Terms & Conditions. 4) Cable/Chain can be shortened during installation. 5) Longer Cable/Chain available on request. 6) Additional colour finishes available on request. 7.) Dimensions do not include lamps. 8.) Products wired to UL standards will operate at 110/120v with the appropriate lampholders.



MATERIAL	Brass	Fixing Bracket MLROSE05GRIP
HEIGHT	22cm 8.66"	
WIDTH DIAMETER	38cm 14.96"	
LENGTH PROJECTION	n/a	
WEIGHT	0.8KG 1.76lbs	
LAMPHOLDER	E27 x 1	
MAX WATTAGE	40W x 1	
VOLTAGE	220/240v	
IP RATING	20	
CLASS PROTECTION	I	
SHADE	-	
FLEX BAR CHAIN LENGT	100cm 40"	
CABLE TYPE	MLCA047 2 Core Round Brown Braid PVC	

Product Notes:

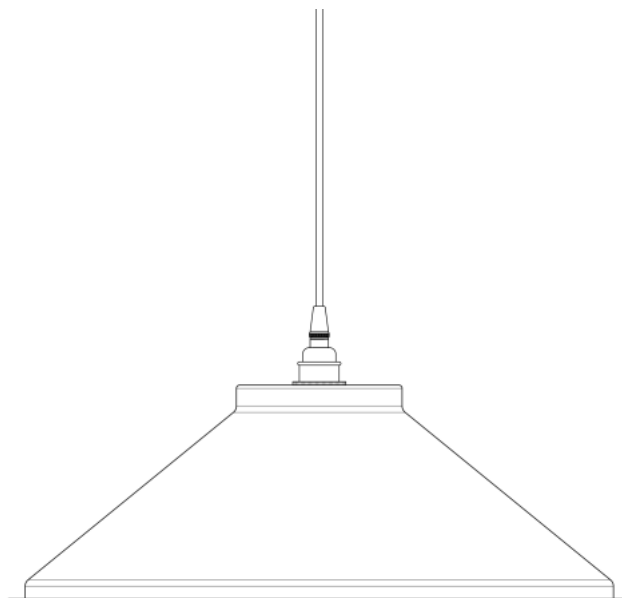
1) Lamps not included with light fixture. 2) All products are individually hand crafted, therefore may differ slightly within manufacturing tolerances. 3) Please refer to: <http://www.mullanlighting.com/terms> for full list of Terms & Conditions. 4) Cable/Chain can be shortened during installation. 5) Longer Cable/Chain available on request. 6) Additional colour finishes available on request. 7.) Dimensions do not include lamps. 8.) Products wired to UL standards will operate at 110/120v with the appropriate lampholders.



MATERIAL	Brass	Fixing Bracket MLROSE05GRIP
HEIGHT	22cm 8.66"	
WIDTH DIAMETER	38cm 14.96"	
LENGTH PROJECTION	n/a	
WEIGHT	0.8KG 1.76lbs	
LAMPHOLDER	E27 x 1	
MAX WATTAGE	40W x 1	
VOLTAGE	220/240v	
IP RATING	20	
CLASS PROTECTION	I	
SHADE	-	
FLEX BAR CHAIN LENGT	100cm 40"	
CABLE TYPE	MLCA041 2 Core Twist Green Braid PVC	

Product Notes:

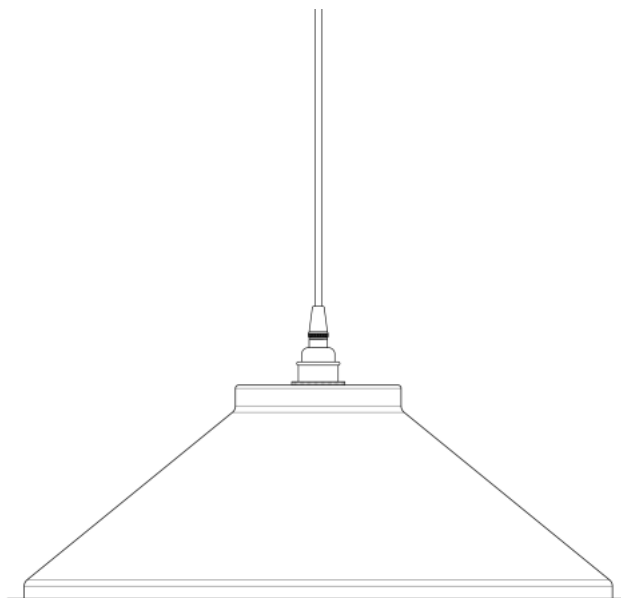
1) Lamps not included with light fixture. 2) All products are individually hand crafted, therefore may differ slightly within manufacturing tolerances. 3) Please refer to: <http://www.mullanlighting.com/terms> for full list of Terms & Conditions. 4) Cable/Chain can be shortened during installation. 5) Longer Cable/Chain available on request. 6) Additional colour finishes available on request. 7.) Dimensions do not include lamps. 8.) Products wired to UL standards will operate at 110/120v with the appropriate lampholders.



MATERIAL	Brass	Fixing Bracket MLROSE05GRIP
HEIGHT	22cm 8.66"	
WIDTH DIAMETER	38cm 14.96"	
LENGTH PROJECTION	n/a	
WEIGHT	0.8KG 1.76lbs	
LAMPHOLDER	E27 x 1	
MAX WATTAGE	40W x 1	
VOLTAGE	220/240v	
IP RATING	20	
CLASS PROTECTION	I	
SHADE	-	
FLEX BAR CHAIN LENGT	100cm 40"	
CABLE TYPE	MLCA003 2 Core Twist Ivory Braid PVC	

Product Notes:

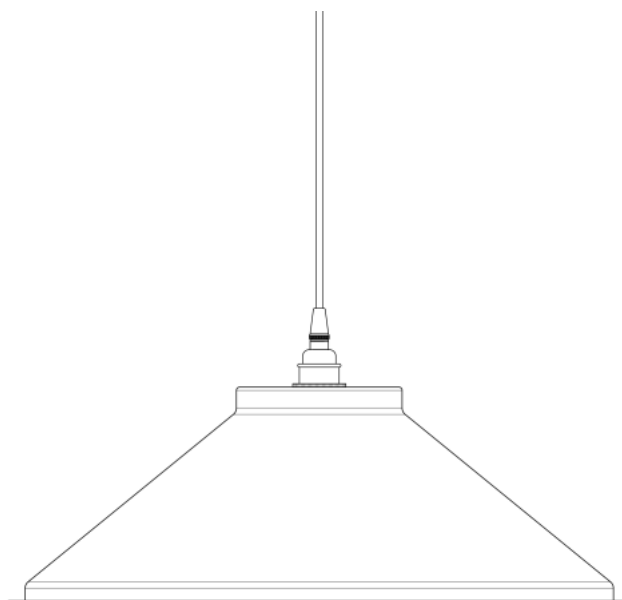
1) Lamps not included with light fixture. 2) All products are individually hand crafted, therefore may differ slightly within manufacturing tolerances. 3) Please refer to: <http://www.mullanlighting.com/terms> for full list of Terms & Conditions. 4) Cable/Chain can be shortened during installation. 5) Longer Cable/Chain available on request. 6) Additional colour finishes available on request. 7.) Dimensions do not include lamps. 8.) Products wired to UL standards will operate at 110/120v with the appropriate lampholders.



MATERIAL	Brass	Fixing Bracket MLROSE05GRIP
HEIGHT	22cm 8.66"	
WIDTH DIAMETER	38cm 14.96"	
LENGTH PROJECTION	n/a	
WEIGHT	0.8KG 1.76lbs	
LAMPHOLDER	E27 x 1	
MAX WATTAGE	40W x 1	
VOLTAGE	220/240v	
IP RATING	20	
CLASS PROTECTION	I	
SHADE	-	
FLEX BAR CHAIN LENGT	100cm 40"	
CABLE TYPE	MLCA007 3 Core Twist Brown Braid PVC	

Product Notes:

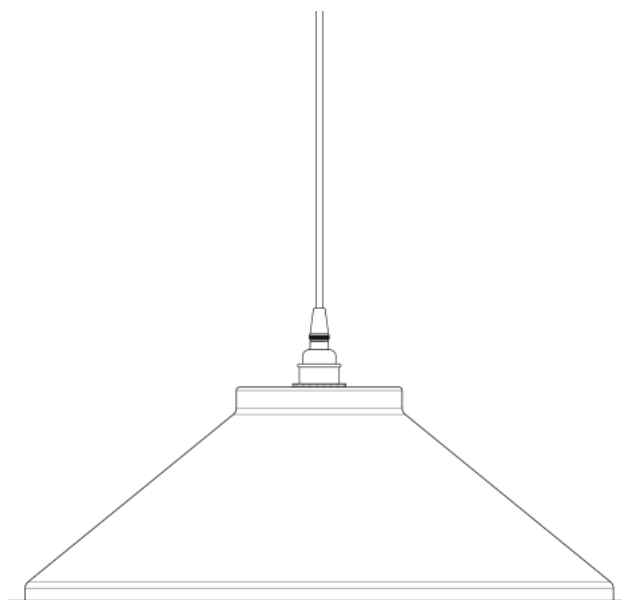
1) Lamps not included with light fixture. 2) All products are individually hand crafted, therefore may differ slightly within manufacturing tolerances. 3) Please refer to: <http://www.mullanlighting.com/terms> for full list of Terms & Conditions. 4) Cable/Chain can be shortened during installation. 5) Longer Cable/Chain available on request. 6) Additional colour finishes available on request. 7.) Dimensions do not include lamps. 8.) Products wired to UL standards will operate at 110/120v with the appropriate lampholders.



MATERIAL	Brass	Fixing Bracket MLROSE05GRIP
HEIGHT	22cm 8.66"	
WIDTH DIAMETER	38cm 14.96"	
LENGTH PROJECTION	n/a	
WEIGHT	0.8KG 1.76lbs	
LAMPHOLDER	E27 x 1	
MAX WATTAGE	40W x 1	
VOLTAGE	220/240v	
IP RATING	20	
CLASS PROTECTION	I	
SHADE	-	
FLEX BAR CHAIN LENGT	100cm 40"	
CABLE TYPE	MLCA003 2 Core Twist Ivory Braid PVC	

Product Notes:

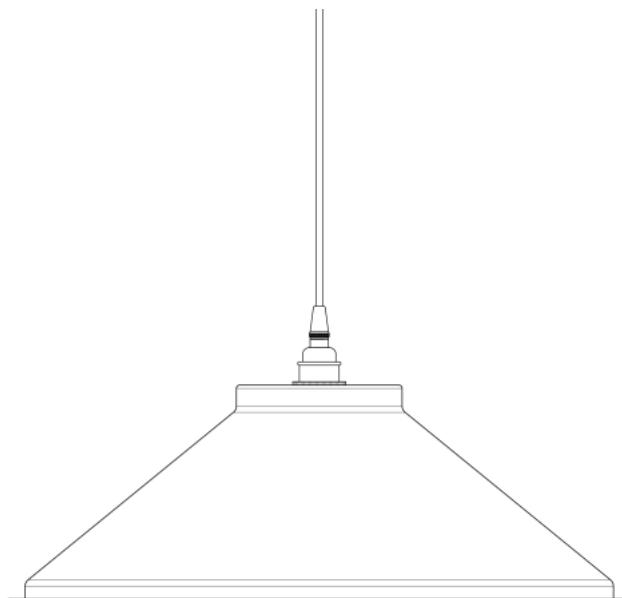
1) Lamps not included with light fixture. 2) All products are individually hand crafted, therefore may differ slightly within manufacturing tolerances. 3) Please refer to: <http://www.mullanlighting.com/terms> for full list of Terms & Conditions. 4) Cable/Chain can be shortened during installation. 5) Longer Cable/Chain available on request. 6) Additional colour finishes available on request. 7.) Dimensions do not include lamps. 8.) Products wired to UL standards will operate at 110/120v with the appropriate lampholders.



MATERIAL	Brass	Fixing Bracket MLROSE05GRIP
HEIGHT	22cm 8.66"	
WIDTH DIAMETER	38cm 14.96"	
LENGTH PROJECTION	n/a	
WEIGHT	0.8KG 1.76lbs	
LAMPHOLDER	E27 x 1	
MAX WATTAGE	40W x 1	
VOLTAGE	220/240v	
IP RATING	20	
CLASS PROTECTION	I	
SHADE	-	
FLEX BAR CHAIN LENGT	100cm 40"	
CABLE TYPE	MLCA042 2 Core Twist Orange Braid PVC	

Product Notes:

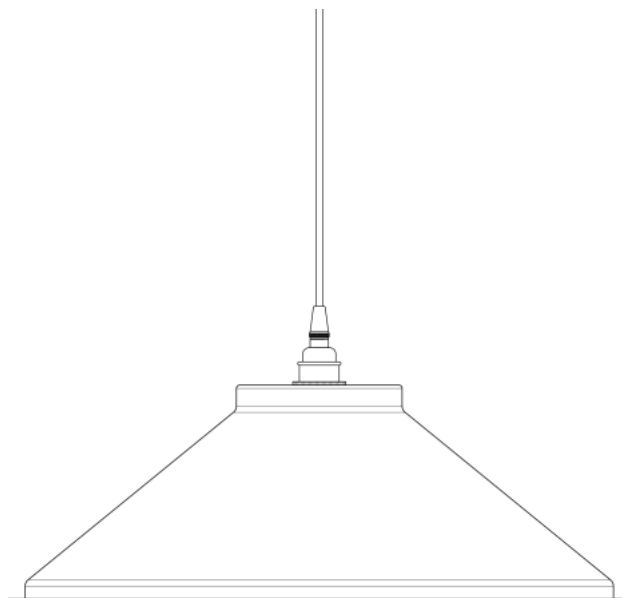
1) Lamps not included with light fixture. 2) All products are individually hand crafted, therefore may differ slightly within manufacturing tolerances. 3) Please refer to: <http://www.mullanlighting.com/terms> for full list of Terms & Conditions. 4) Cable/Chain can be shortened during installation. 5) Longer Cable/Chain available on request. 6) Additional colour finishes available on request. 7.) Dimensions do not include lamps. 8.) Products wired to UL standards will operate at 110/120v with the appropriate lampholders.



MATERIAL	Brass	Fixing Bracket MLROSE05GRIP
HEIGHT	22cm 8.66"	
WIDTH DIAMETER	38cm 14.96"	
LENGTH PROJECTION	n/a	
WEIGHT	0.8KG 1.76lbs	
LAMPHOLDER	E27 x 1	
MAX WATTAGE	40W x 1	
VOLTAGE	220/240v	
IP RATING	20	
CLASS PROTECTION	I	
SHADE	-	
FLEX BAR CHAIN LENGT	100cm 40"	
CABLE TYPE	MLCA001 2 Core Twist Black Braid PVC	

Product Notes:

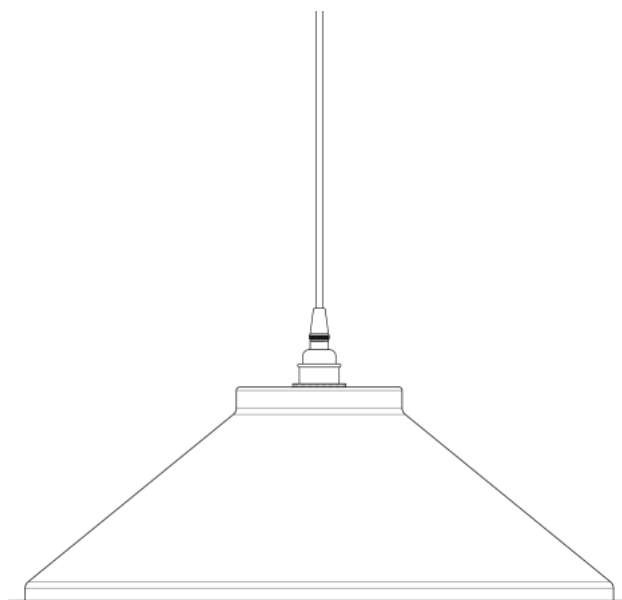
1) Lamps not included with light fixture. 2) All products are individually hand crafted, therefore may differ slightly within manufacturing tolerances. 3) Please refer to: <http://www.mullanlighting.com/terms> for full list of Terms & Conditions. 4) Cable/Chain can be shortened during installation. 5) Longer Cable/Chain available on request. 6) Additional colour finishes available on request. 7.) Dimensions do not include lamps. 8.) Products wired to UL standards will operate at 110/120v with the appropriate lampholders.



MATERIAL	Brass	Fixing Bracket MLROSE05GRIP
HEIGHT	22cm 8.66"	
WIDTH DIAMETER	38cm 14.96"	
LENGTH PROJECTION	n/a	
WEIGHT	0.8KG 1.76lbs	
LAMPHOLDER	E27 x 1	
MAX WATTAGE	40W x 1	
VOLTAGE	220/240v	
IP RATING	20	
CLASS PROTECTION	I	
SHADE	-	
FLEX BAR CHAIN LENGT	100cm 40"	
CABLE TYPE	MLCA003 2 Core Twist Ivory Braid PVC	

Product Notes:

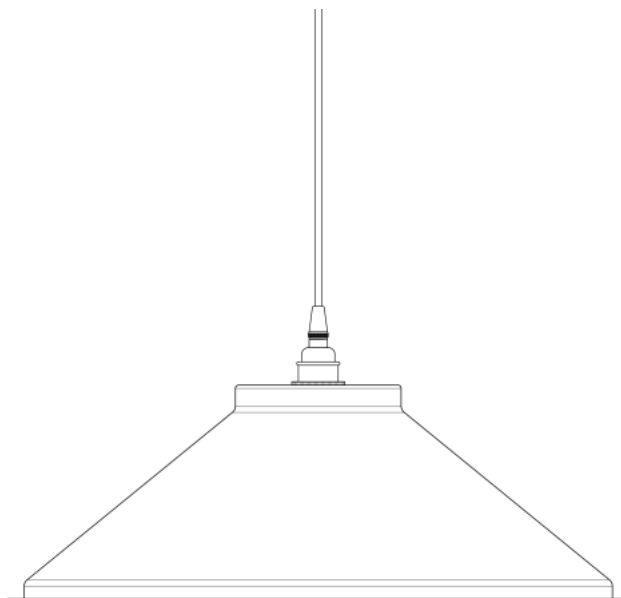
1) Lamps not included with light fixture. 2) All products are individually hand crafted, therefore may differ slightly within manufacturing tolerances. 3) Please refer to: <http://www.mullanlighting.com/terms> for full list of Terms & Conditions. 4) Cable/Chain can be shortened during installation. 5) Longer Cable/Chain available on request. 6) Additional colour finishes available on request. 7.) Dimensions do not include lamps. 8.) Products wired to UL standards will operate at 110/120v with the appropriate lampholders.



MATERIAL	Brass	Fixing Bracket MLROSE05GRIP
HEIGHT	22cm 8.66"	
WIDTH DIAMETER	38cm 14.96"	
LENGTH PROJECTION	n/a	
WEIGHT	0.8KG 1.76lbs	
LAMPHOLDER	E27 x 1	
MAX WATTAGE	40W x 1	
VOLTAGE	220/240v	
IP RATING	20	
CLASS PROTECTION	I	
SHADE	-	
FLEX BAR CHAIN LENGT	100cm 40"	
CABLE TYPE	MLCA003 2 Core Twist Ivory Braid PVC	

Product Notes:

1) Lamps not included with light fixture. 2) All products are individually hand crafted, therefore may differ slightly within manufacturing tolerances. 3) Please refer to: <http://www.mullanlighting.com/terms> for full list of Terms & Conditions. 4) Cable/Chain can be shortened during installation. 5) Longer Cable/Chain available on request. 6) Additional colour finishes available on request. 7.) Dimensions do not include lamps. 8.) Products wired to UL standards will operate at 110/120v with the appropriate lampholders.



MATERIAL	Brass
HEIGHT	22cm 8.66"
WIDTH DIAMETER	38cm 14.96"
LENGTH PROJECTION	n/a
WEIGHT	0.8KG 1.76lbs
LAMPHOLDER	E27 x 1
MAX WATTAGE	40W x 1
VOLTAGE	220/240v
IP RATING	20
CLASS PROTECTION	I
SHADE	-
FLEX BAR CHAIN LENGT	100cm 40"
CABLE TYPE	MLCA020 3 Core Twist Black Braid PVC

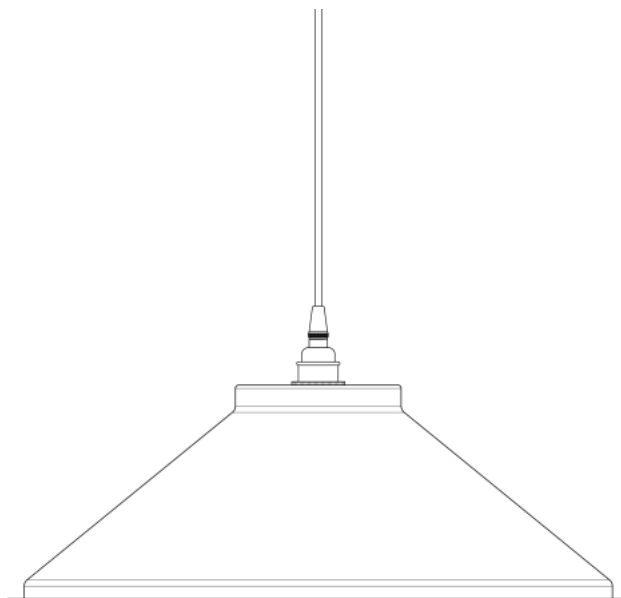
Fixing Bracket MLROSE05GRIP | Antique Silver

Product Notes:

1) Lamps not included with light fixture. 2) All products are individually hand crafted, therefore may differ slightly within manufacturing tolerances. 3) Please refer to: <http://www.mullanlighting.com/terms> for full list of Terms & Conditions. 4) Cable/Chain can be shortened during installation. 5) Longer Cable/Chain available on request. 6) Additional colour finishes available on request. 7.) Dimensions do not include lamps. 8.) Products wired to UL standards will operate at 110/120v with the appropriate lampholders.

RIO Pendant

MLP417POLBRS Polished Brass

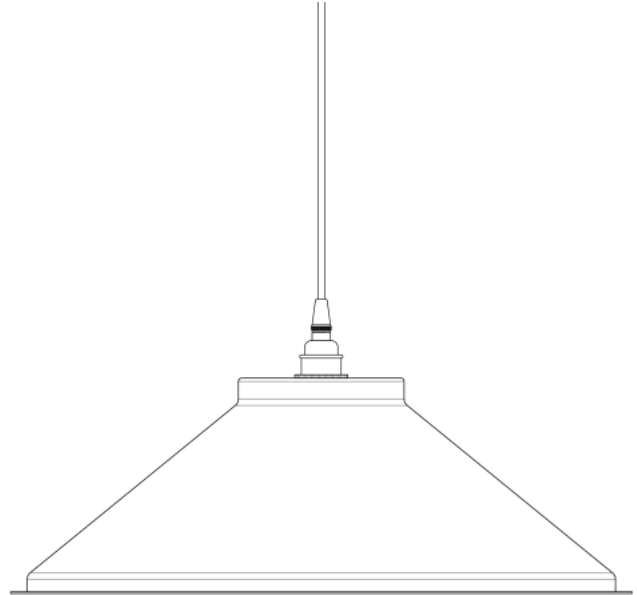


MATERIAL	Brass
HEIGHT	22cm 8.66"
WIDTH DIAMETER	38cm 14.96"
LENGTH PROJECTION	n/a
WEIGHT	0.8KG 1.76lbs
LAMPHOLDER	E27 x 1
MAX WATTAGE	40W x 1
VOLTAGE	220/240v
IP RATING	20
CLASS PROTECTION	I
SHADE	-
FLEX BAR CHAIN LENGT	100cm 40"
CABLE TYPE	MLCA020 3 Core Twist Black Braid PVC

Fixing Bracket MLROSE05GRIP | Polished Brass

Product Notes:

1) Lamps not included with light fixture. 2) All products are individually hand crafted, therefore may differ slightly within manufacturing tolerances. 3) Please refer to: <http://www.mullanlighting.com/terms> for full list of Terms & Conditions. 4) Cable/Chain can be shortened during installation. 5) Longer Cable/Chain available on request. 6) Additional colour finishes available on request. 7.) Dimensions do not include lamps. 8.) Products wired to UL standards will operate at 110/120v with the appropriate lampholders.



MATERIAL	Brass
HEIGHT	22cm 8.66"
WIDTH DIAMETER	38cm 14.96"
LENGTH PROJECTION	n/a
WEIGHT	0.8KG 1.76lbs
LAMPHOLDER	E27 x 1
MAX WATTAGE	40W x 1
VOLTAGE	220/240v
IP RATING	20
CLASS PROTECTION	I
SHADE	-
FLEX BAR CHAIN LENGT	100cm 40"
CABLE TYPE	MLCA020 3 Core Twist Black Braid PVC

Fixing Bracket MLROSE05GRIP | Satin Brass

Product Notes:

1) Lamps not included with light fixture. 2) All products are individually hand crafted, therefore may differ slightly within manufacturing tolerances. 3) Please refer to: <http://www.mullanlighting.com/terms> for full list of Terms & Conditions. 4) Cable/Chain can be shortened during installation. 5) Longer Cable/Chain available on request. 6) Additional colour finishes available on request. 7.) Dimensions do not include lamps. 8.) Products wired to UL standards will operate at 110/120v with the appropriate lampholders.