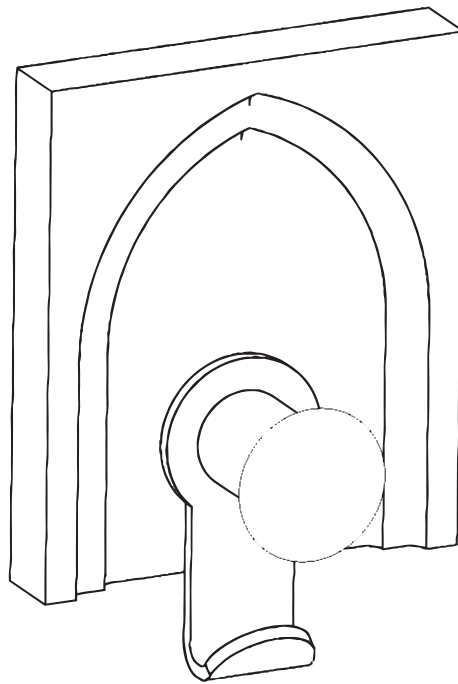




# Oak Arch Decorative Wall Hook

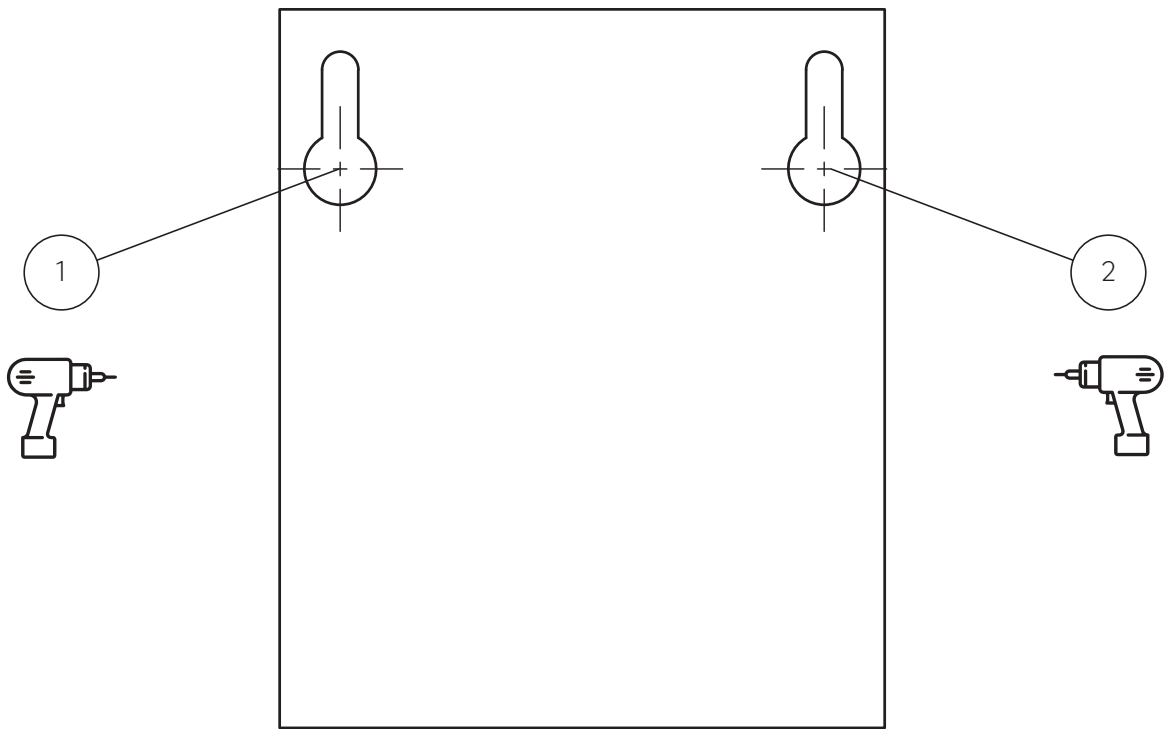
## Installation Guide



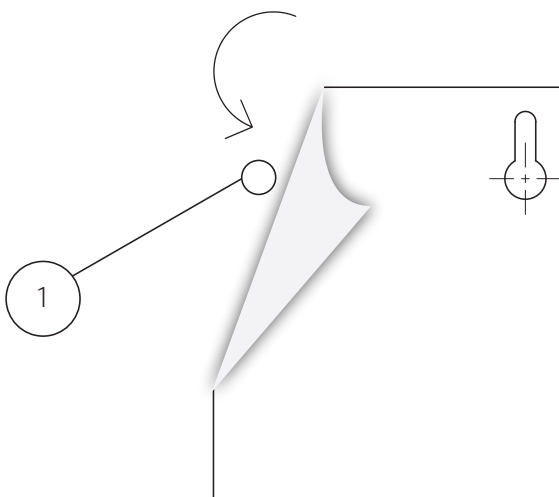
Installation video



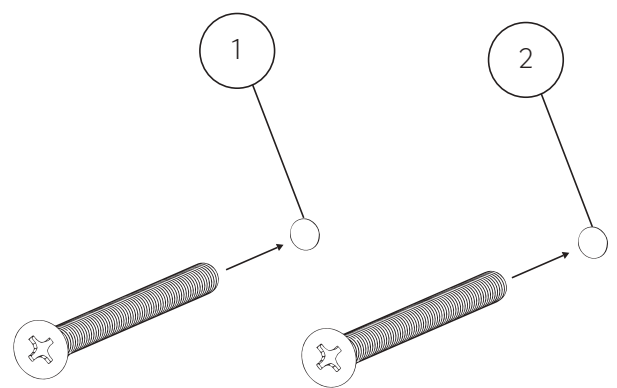
Scan me to check it out!



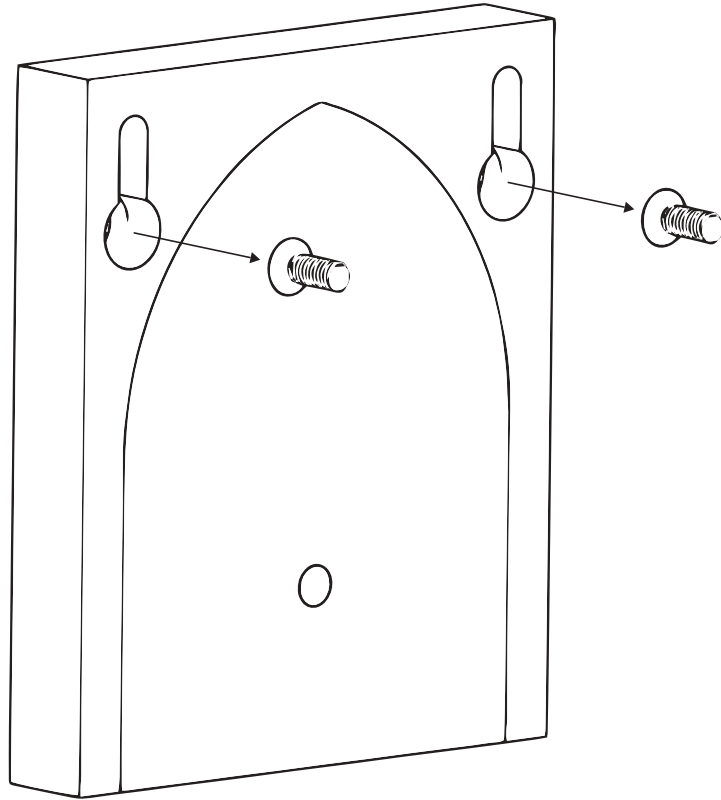
STEP 1: use template to drill hole 1 & 2



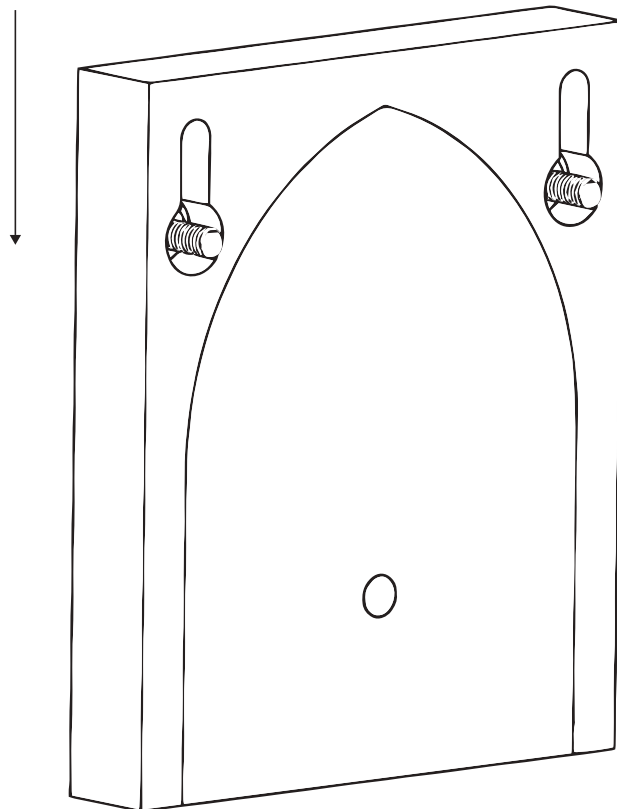
STEP 2: take template out



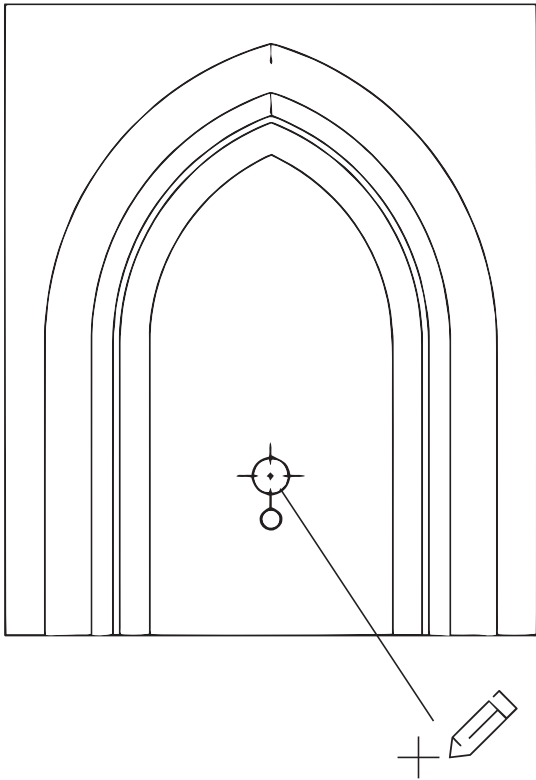
STEP 3: screw M4 screws in wall



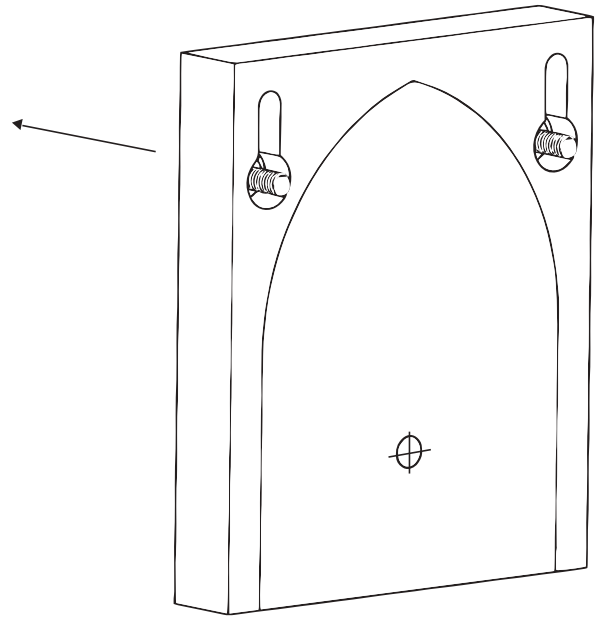
STEP 4: put backplate on M4 screws



STEP 5: push backplate down



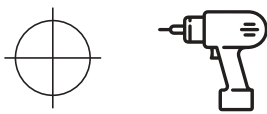
**STEP 6:** draw drilling mark



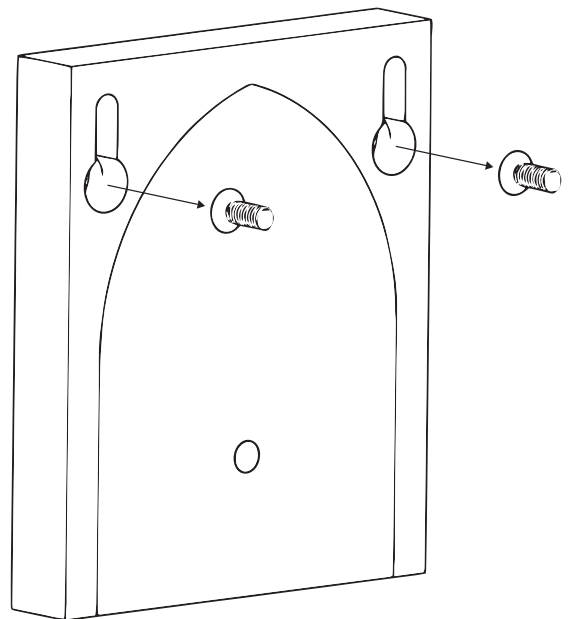
**STEP 7:** take backplate off

1

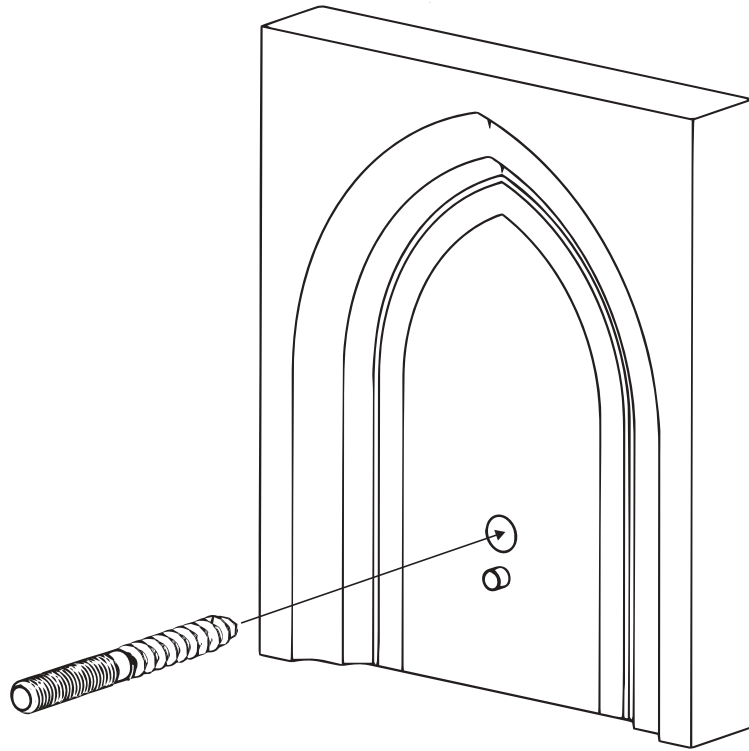
2



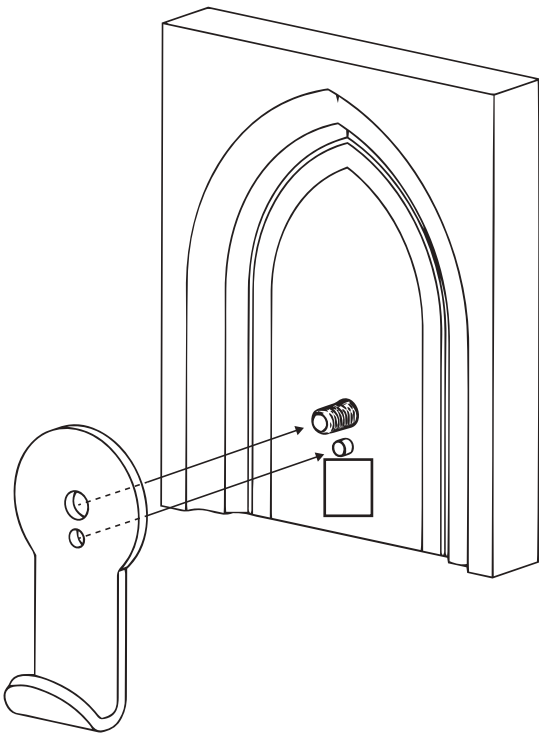
**STEP 8:** drill hole 3



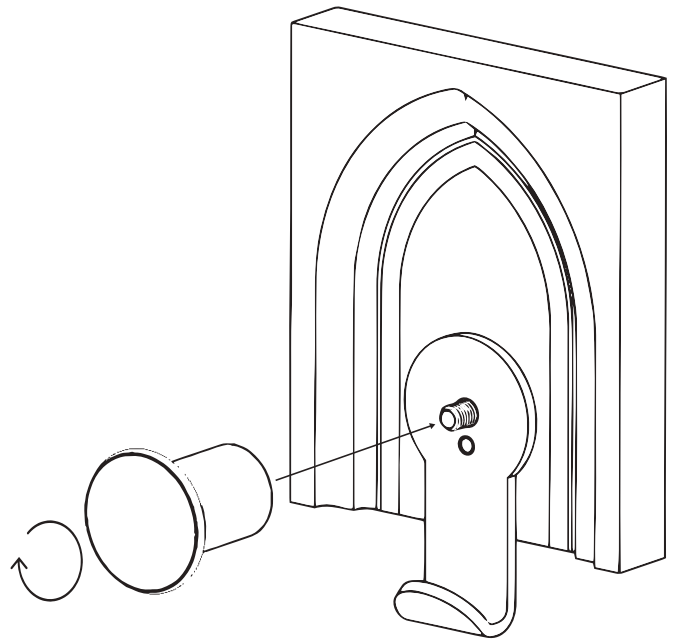
**STEP 9:** put backplate back on



**STEP 10:** screw hanger bolt in frontplate



**STEP 11:** place hook



**STEP 12:** screw knob

Thank you for choosing us!

