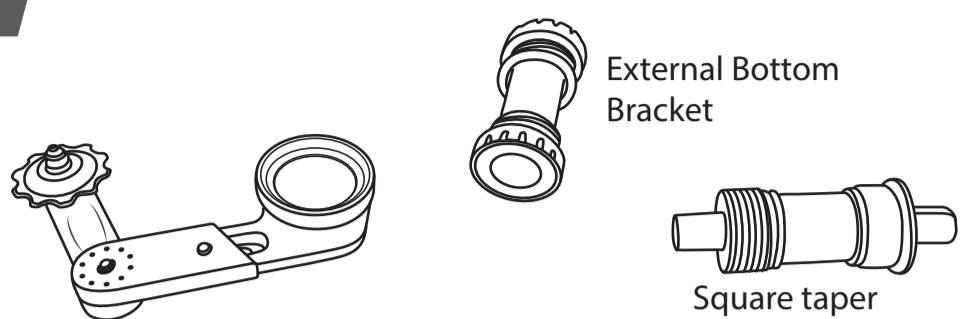


ETR-B INSTALLATION

1

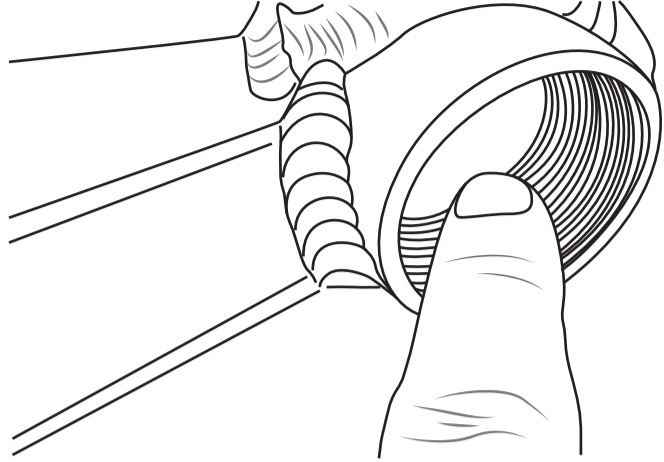


External Bottom Bracket

Square taper

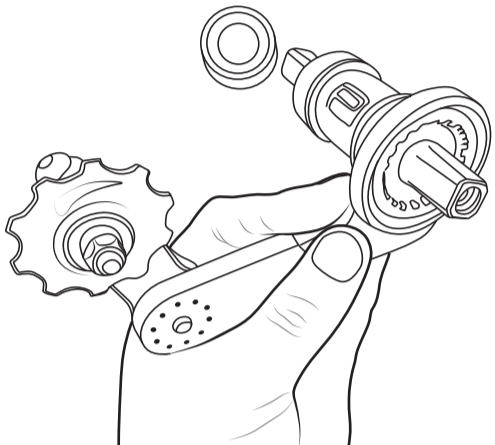
ETR-B can be used for both square tapered and external bottom bracket styles

2



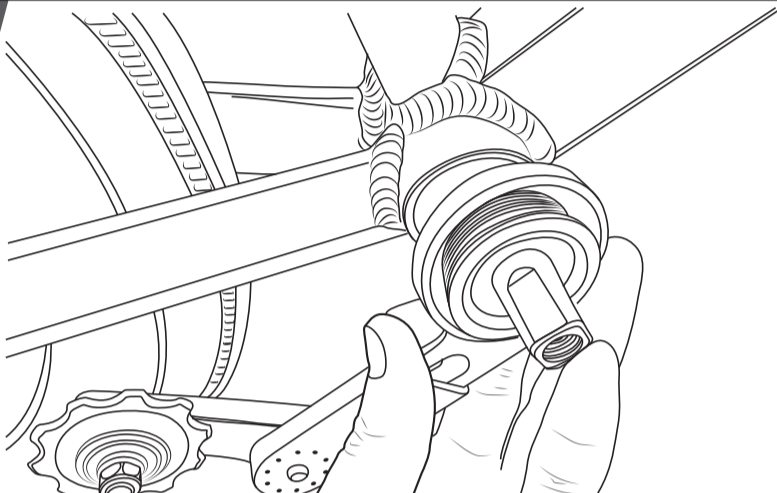
Apply grease onto threads of the BB (frame)

3



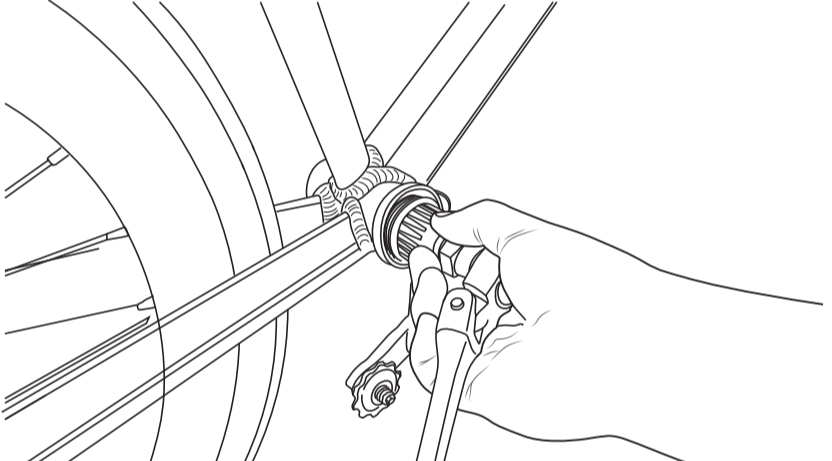
Insert drive-side BB cup into ETR-B mounting hole

4



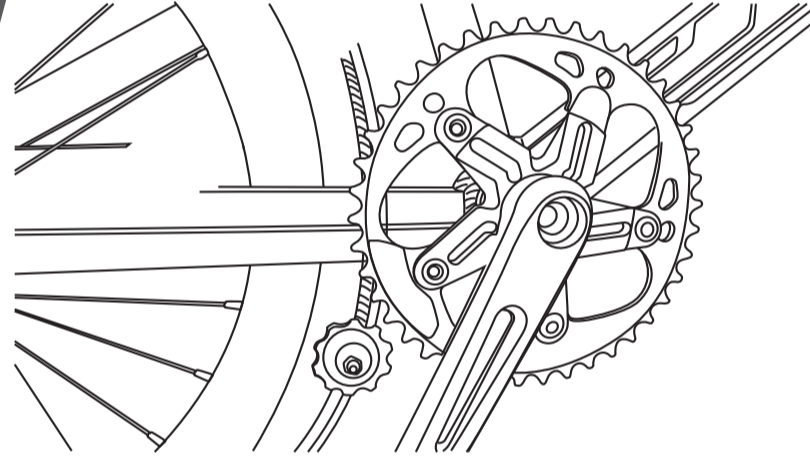
Position ETR-B so that it won't rub against chain stay

5



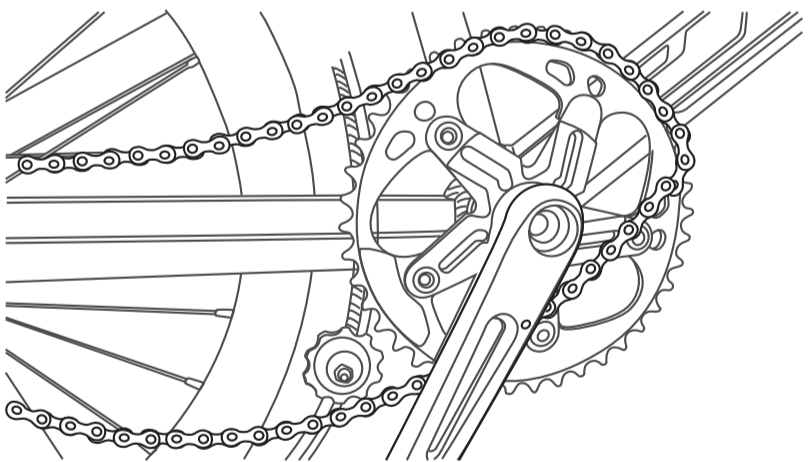
Tighten BB cup into position

6



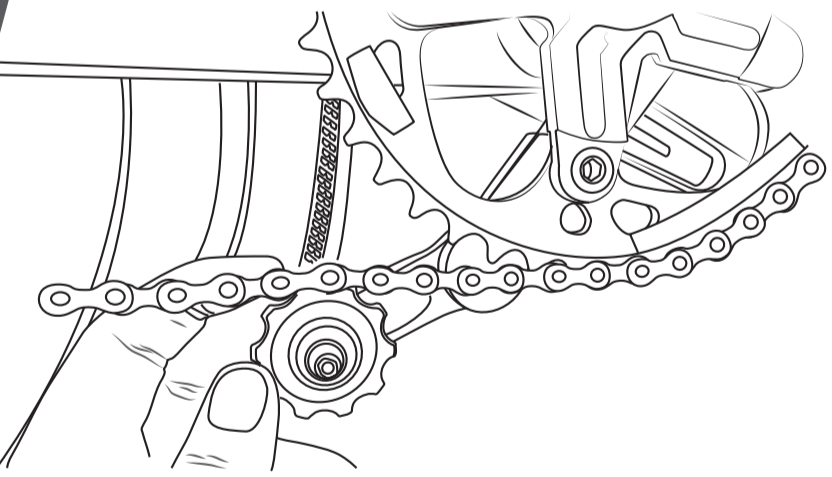
Insert chainring/crank into BB

7



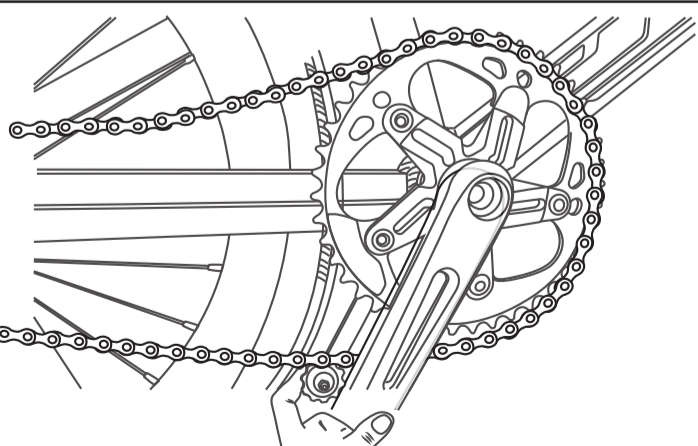
Place chain on top of chain ring

8



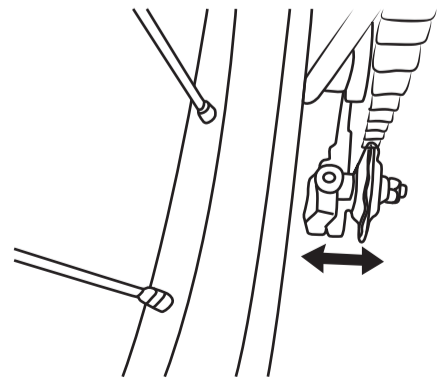
Place chain over the pulley on the ETR-B

9



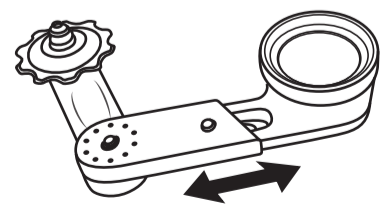
Ensure there is some slack in the chain when the ETR-B is not engaged

Chain line



Chainline adjustment

Chain Ring size



Chainring size adjustment