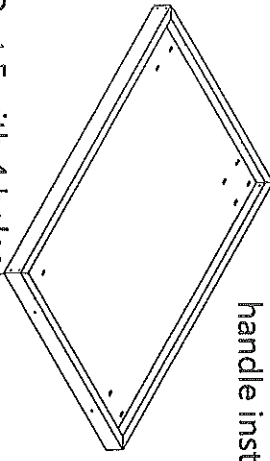


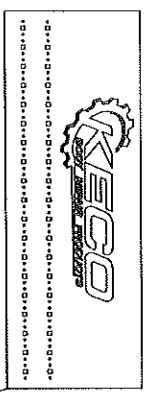
A

B side board
with 4 holes for
handle installation



Part E with 4 holes
in each corner for
wheel installation

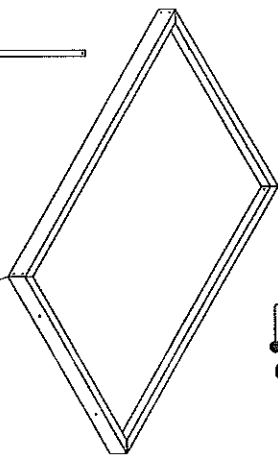
E



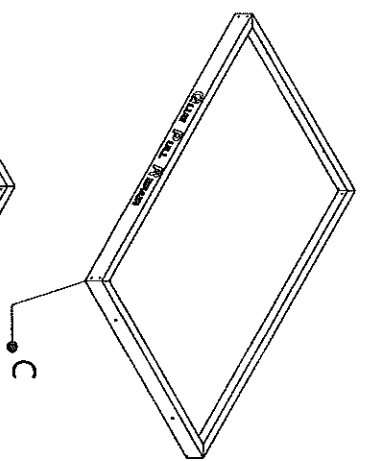
G



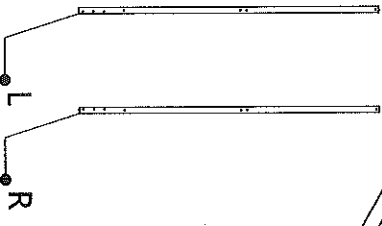
H



D

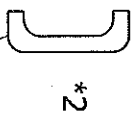


C



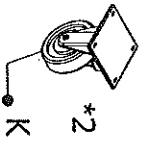
L

R



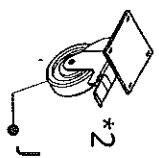
*2

I



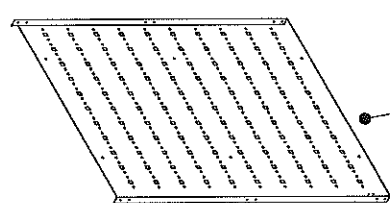
*2

K

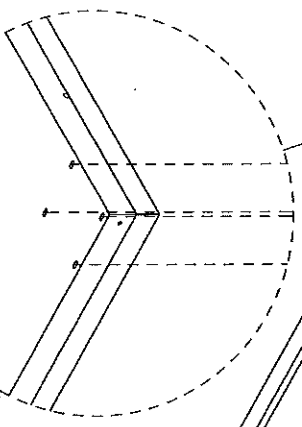


*2

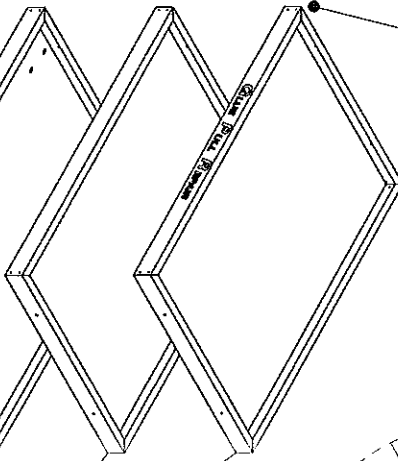
J



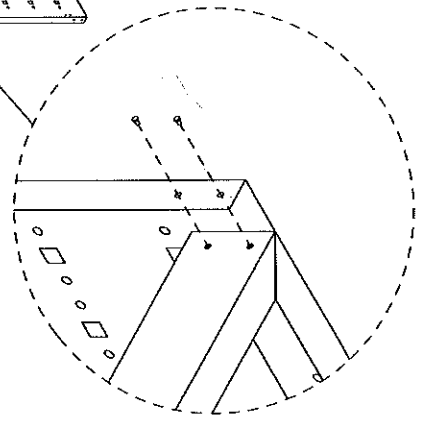
A



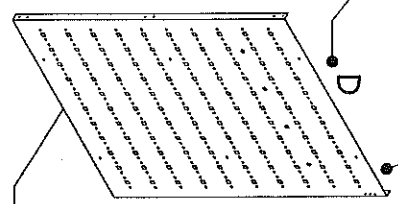
E



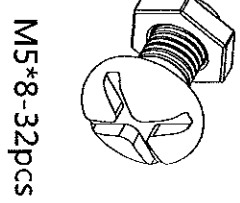
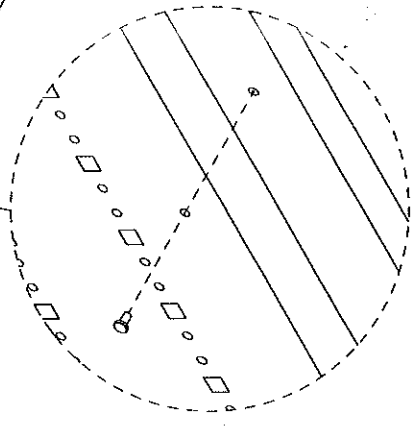
D



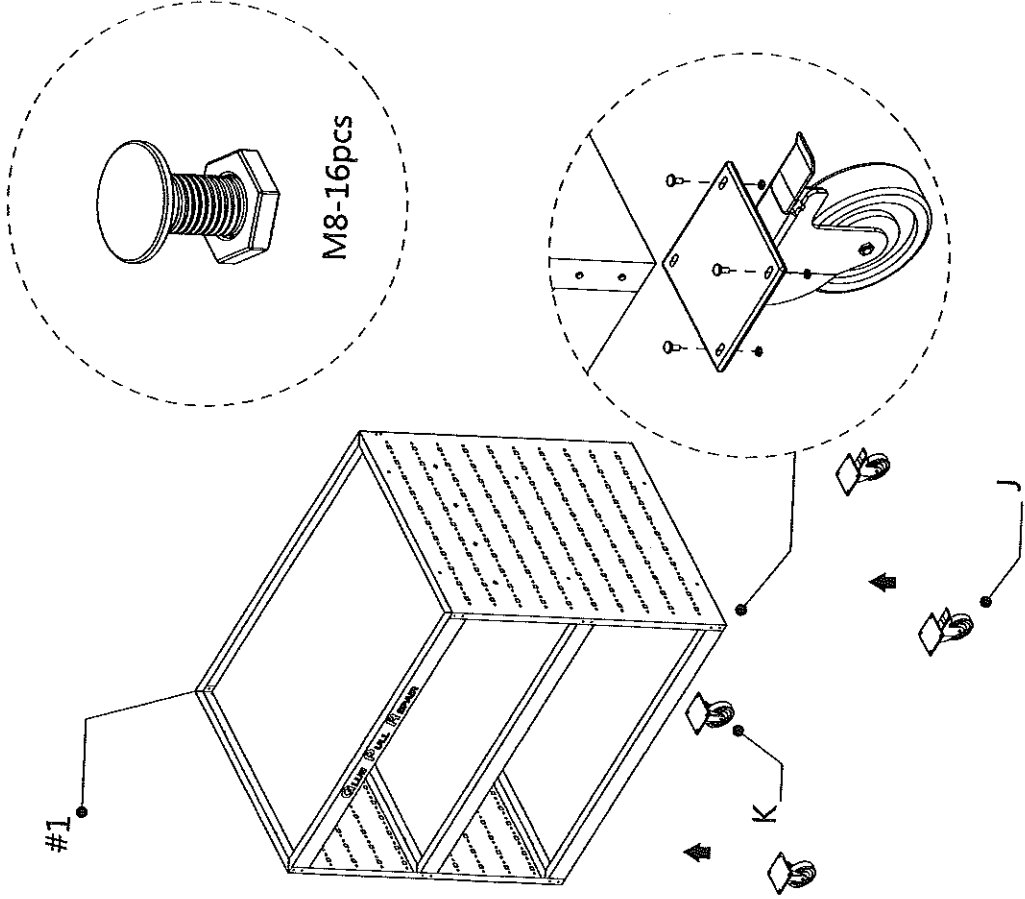
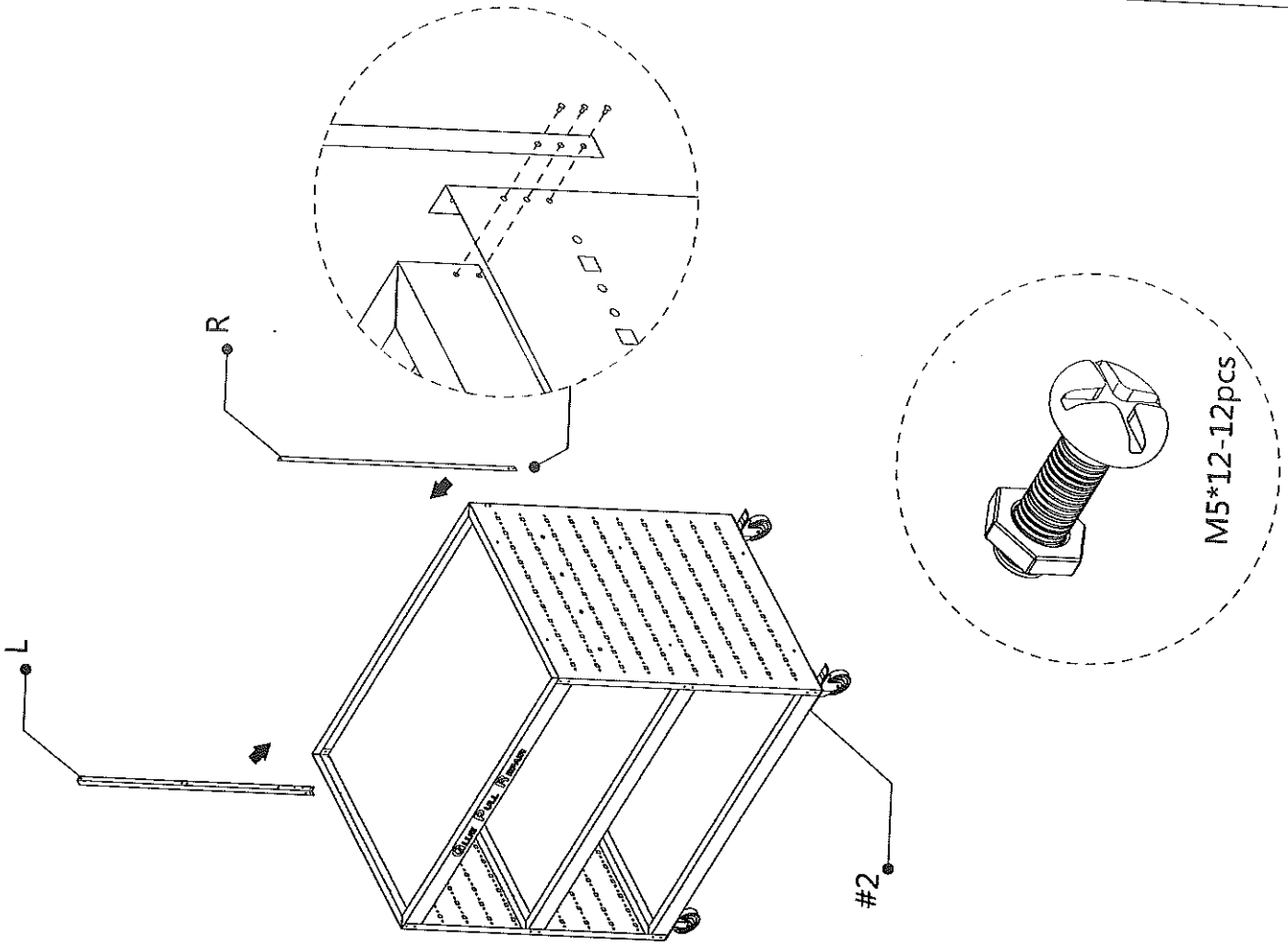
C

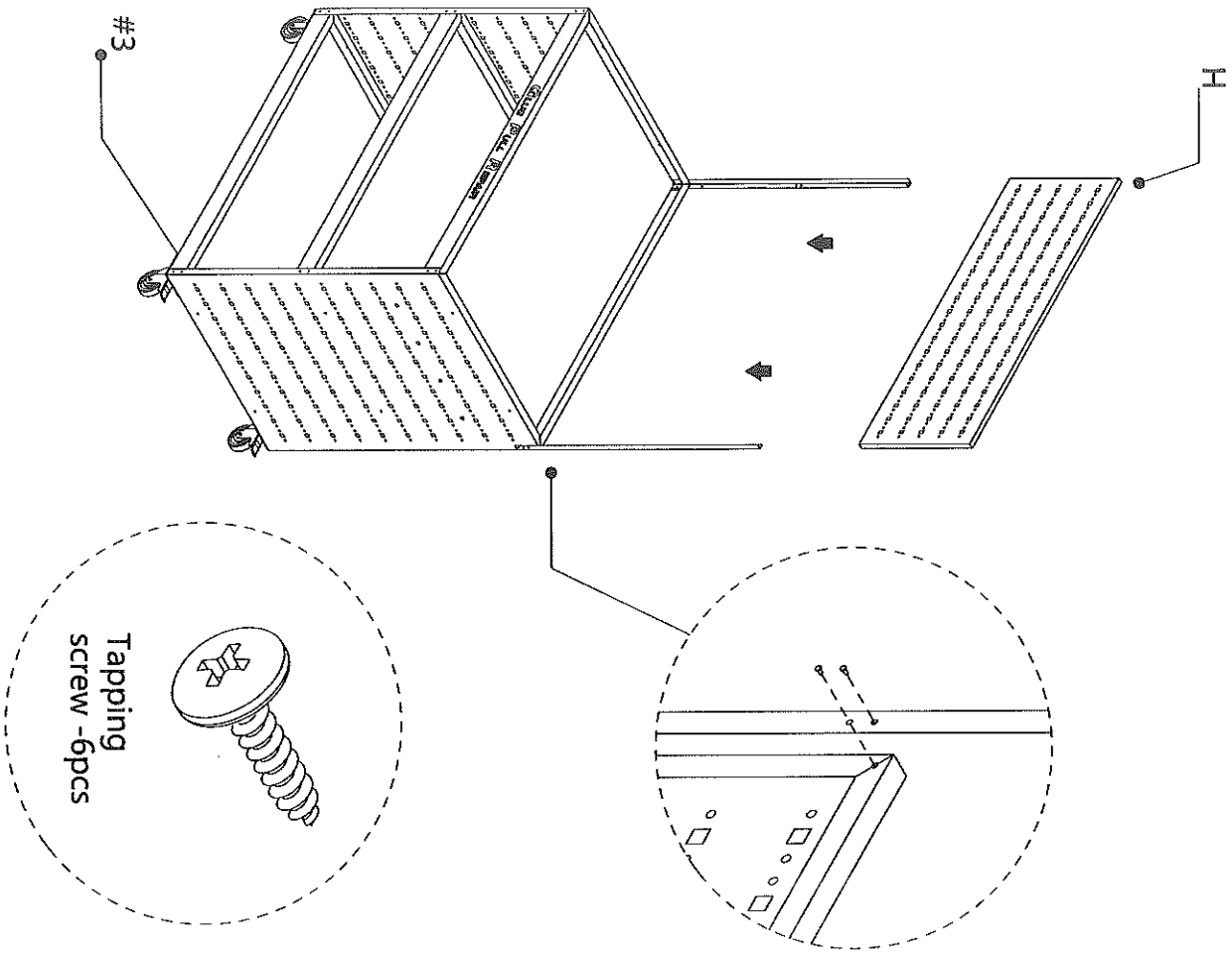


B

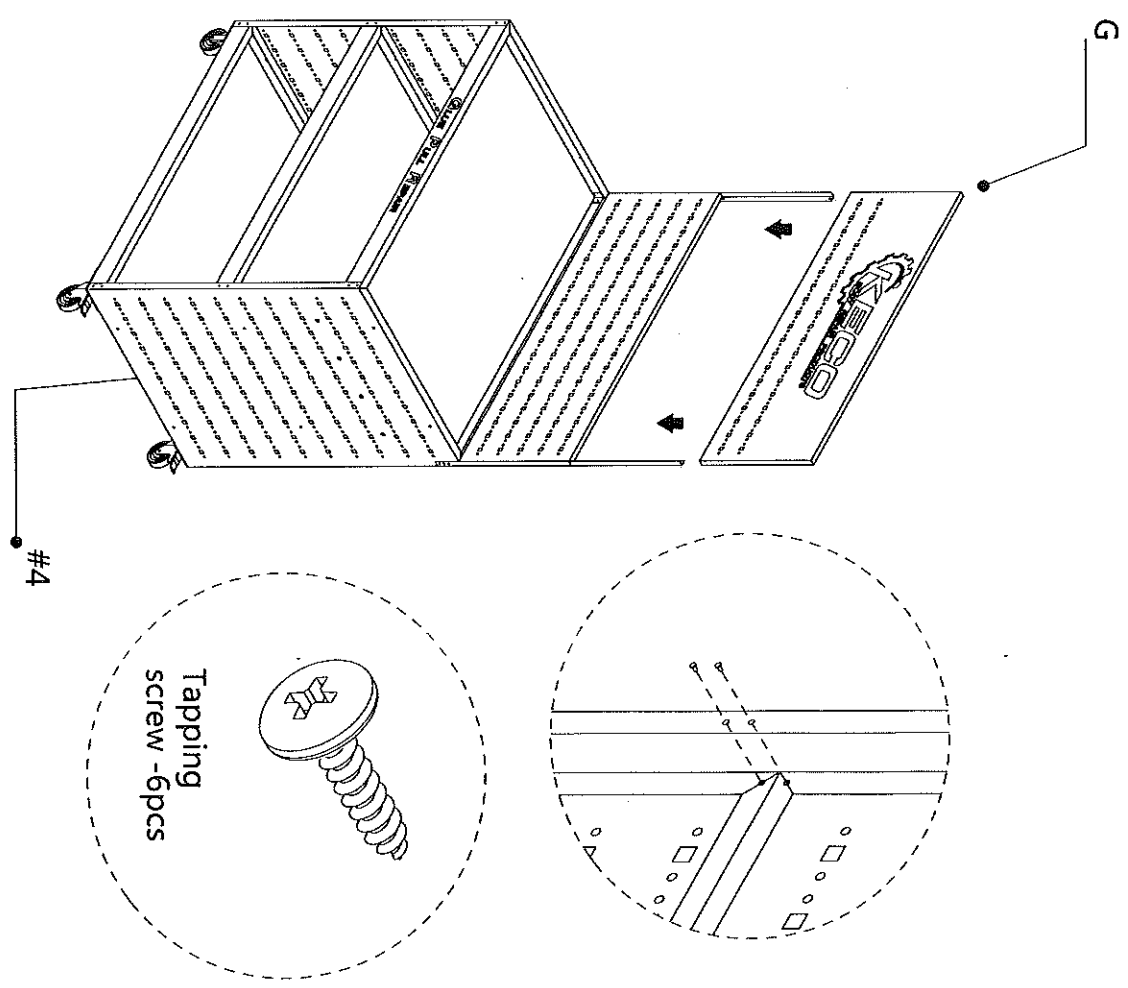


M5*8-32pcs

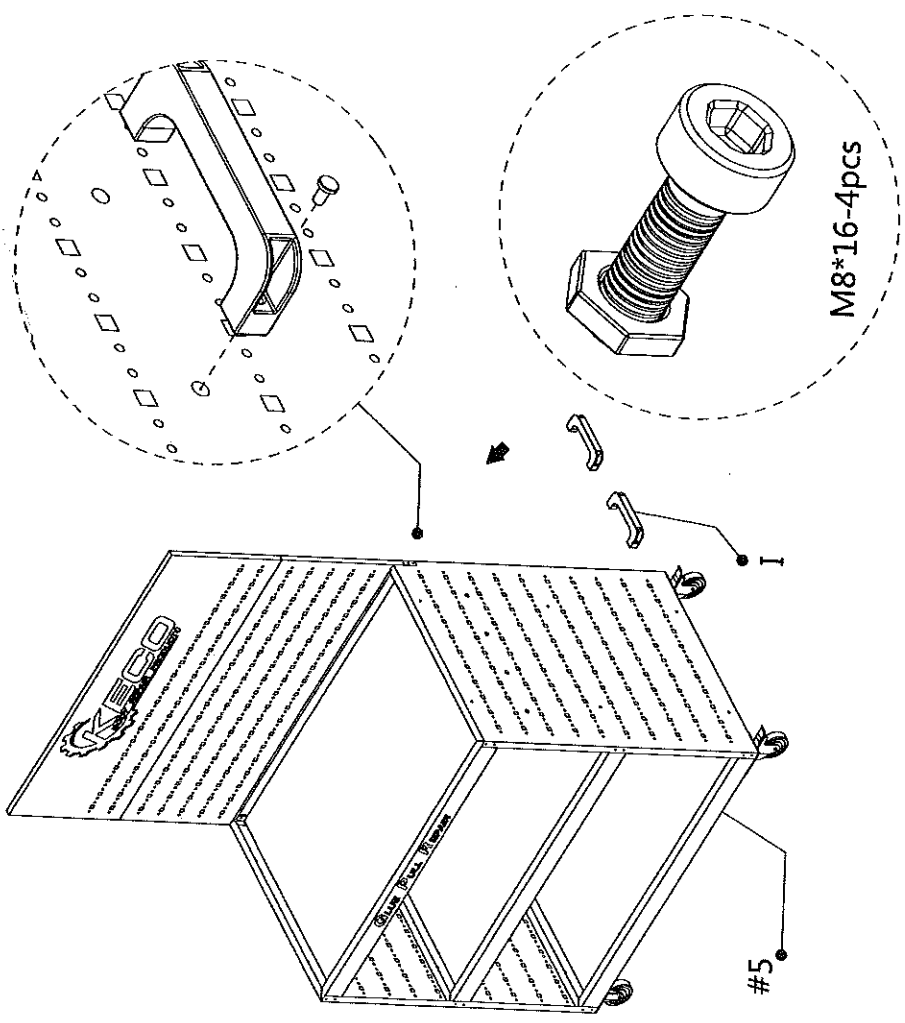
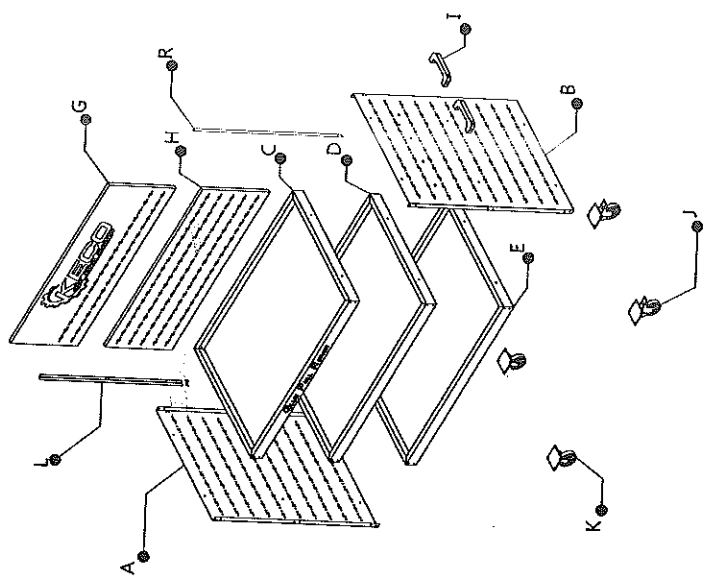
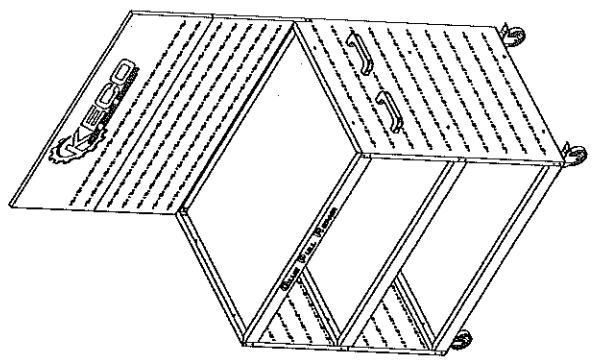




05.



06.



M8*16-4pcs

#5

I